

TGD

ThermoGlast Door



ENTER



LU-VE
GROUP
leadership with passion





TGD

ThermoGlassDoor



HANG-ON DOORS FOR
COMMERCIAL REFRIGERATION



GLASS DOOR SYSTEMS
FOR **POSITIVE TEMPERATURE** APPLICATIONS



GLASS DOOR SYSTEMS
FOR **NEGATIVE TEMPERATURE** APPLICATIONS



GLASS DOOR SYSTEMS FOR
COLD ROOMS



DIGITAL SIGNAGE SOLUTIONS



MAIN MENU



HANG-ON DOORS



Visicooler: bottle coolers, wine caves and branded vertical displays



Catering appliances: refrigerators for professional and scientific application



Vending machines

**MORE
INFORMATION**

**TECHNICAL
DATA SHEET**



MAIN MENU



HANG-ON DOORS

A huge range of doors for free standing commercial applications. There is a TGD door for every refrigerator, which will enhance **performance and beautify appearance**, giving a better view of the selling product.

Amongst our top-featured products there are **doors equipped with the Magic Vision interactive screen**.

All doors complying with **UNI23953-2 class 3 standard**

Upgrade by **innovating Led TGD** patented technologies

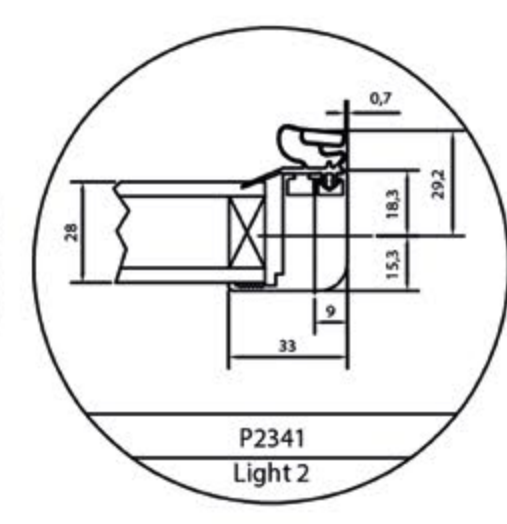
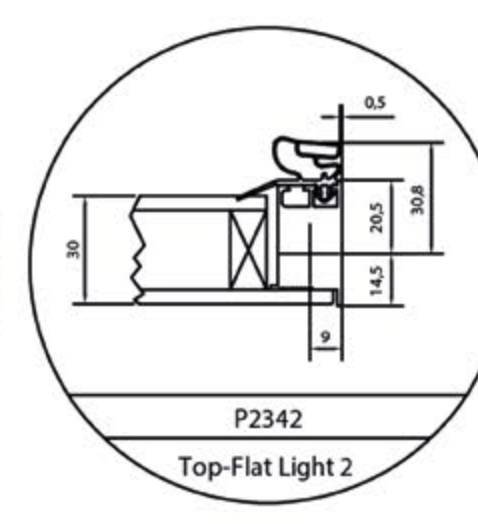
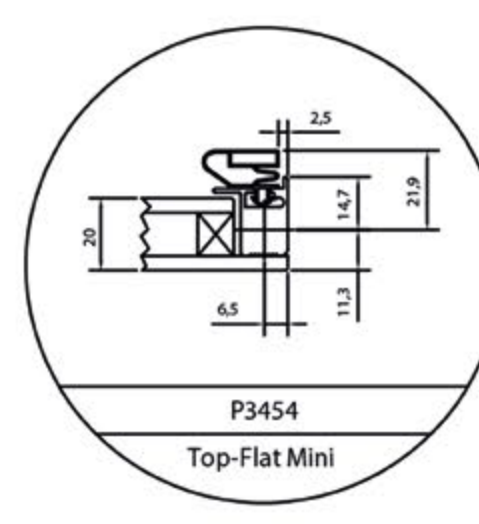
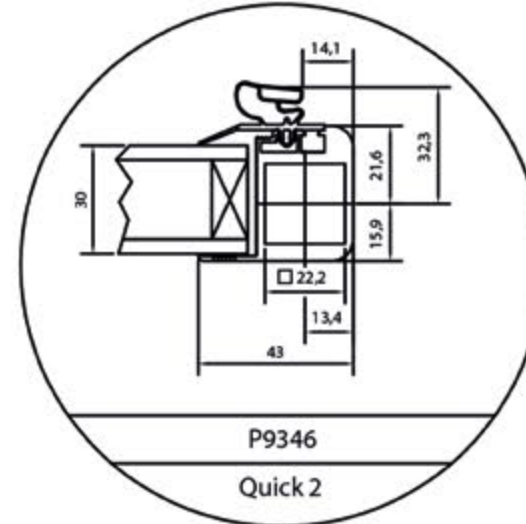
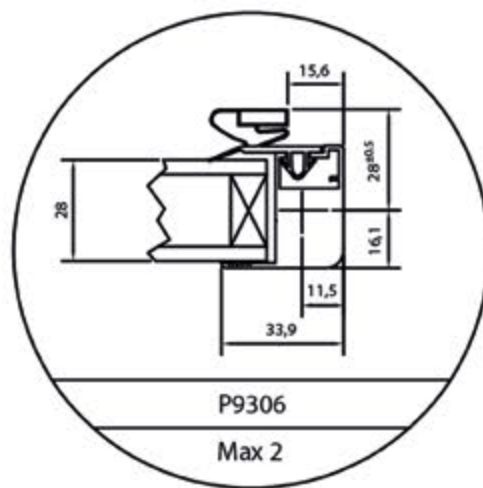
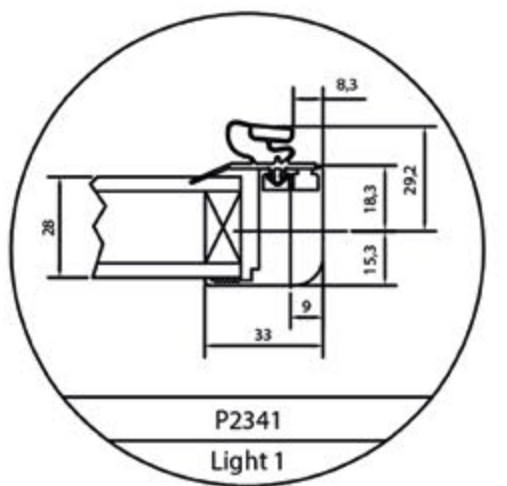
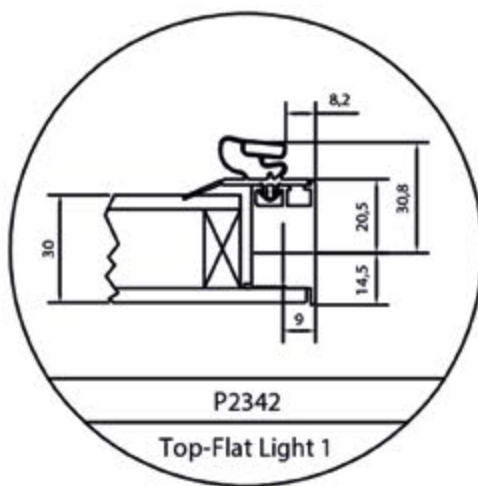
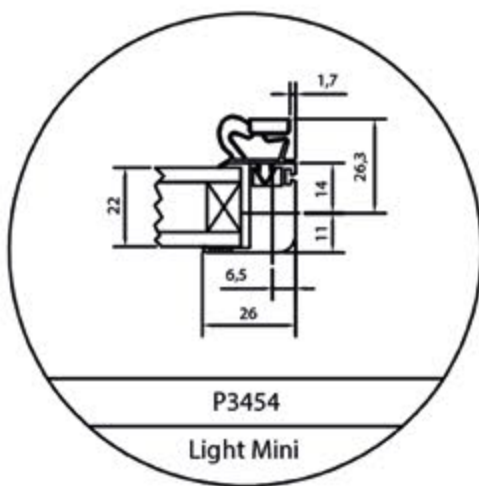
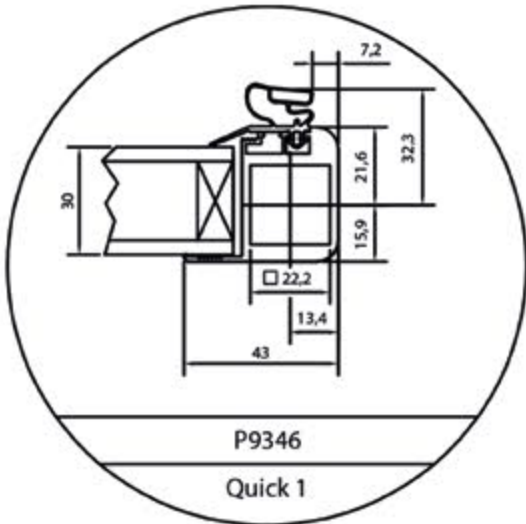
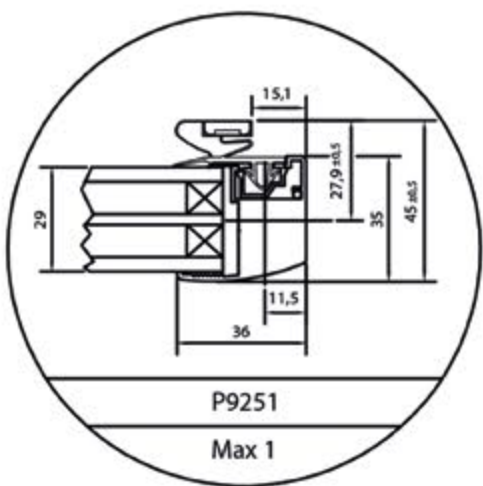
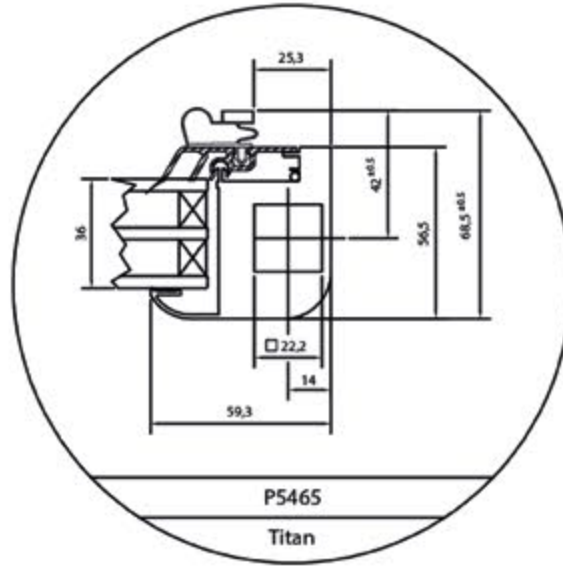
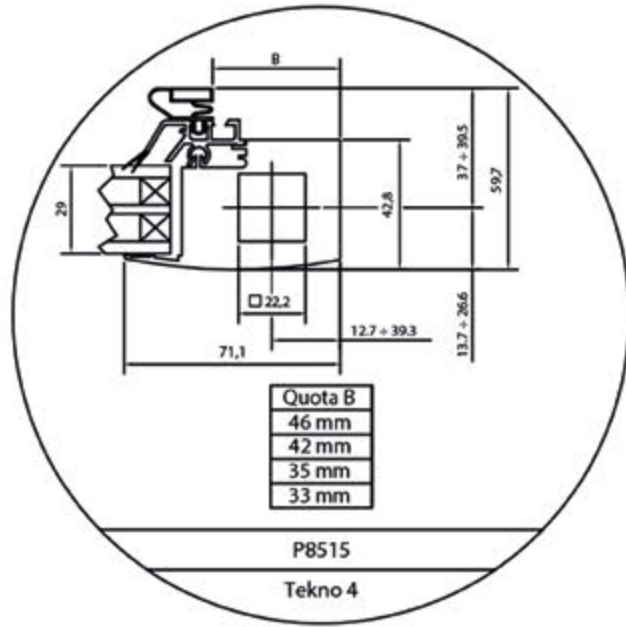
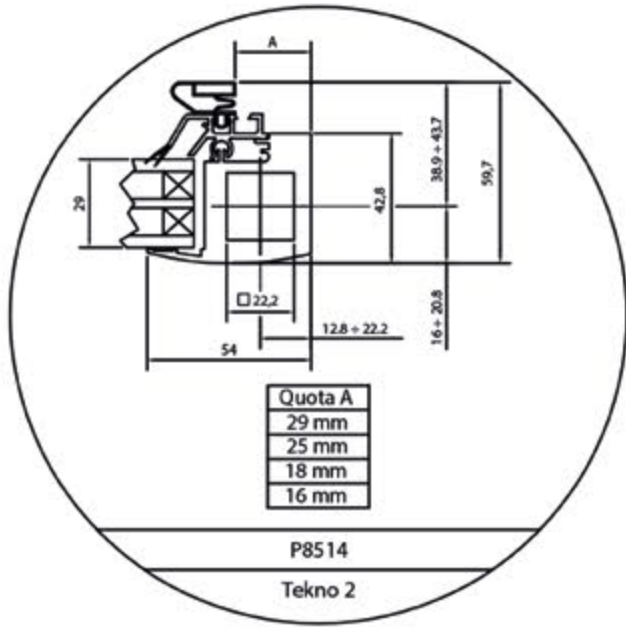
Magic Vision, the most attractive digital glass door





HANG ON DOORS TECHNICAL DATA SHEET

GO TO PAG.2



ALUMINUM FRAMED GLASS DOOR

A huge range of opportunities complying with any foaming thickness

RAL tinted frames are available on demand

Special aluminium surface treatments (Scotch brite, chrome...)

Any customized solution available on request



HANG ON DOORS TECHNICAL DATA SHEET

NT doors:	
Application temperatures range	from 5° C up to 30° C
Standard doors complying with	Class 3 UNI23953
Wide range of glass units available	from 24 to 35mm
Low-e glasses available on demand	from UG 1.9 down to 1.1
Coloured glasses available on demand	
UV ray filtering glasses available on demand	

LT heating doors:	
Application temperatures range	from -30° C up to 5° C
Standard doors complying with	Class 3 UNI23953
Wide range of glass units available	from 29 to 35mm
Low-e glasses available on demand	from UG 1.9 down to 1.1
Standard heating power 100W sqm on the glass and 7W lmt all along the door's profile	
Possibility to increase the heating power to comply with the worst operating conditions	
Possibility to tune the powering voltage on demand	

LT 0 Energy doors:	
Application temperatures range	-25° C up to 5° C
Standard doors complying with	Class 3 UNI23953
Wide range of glass units available	from 30 to 35mm
No electrical heating	
Wide range of Anti-Fog treatments on the inner side of the glass	

AVAILABLE GLASS EMBEDDED SOLUTIONS:

Digital glass printing plotter to reproduce any tempering coloured serigraphy

BLS1:
Patented solution for lighting refrigerated products by led included in the glass unit

BLS2:
Patented Solution for lighting refrigerated products by led included in the glass door frame

LAS:
Patented solution for lighting a customized logo embedded in the glass door by led

Magic Vision:
upgrade transforming any glass door into a powerful means of communication which captures the attention of the consumer



MAIN MENU

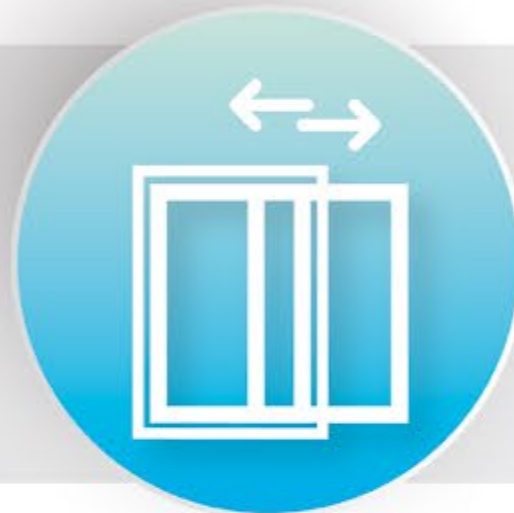


GLASS DOOR SYSTEMS FOR POSITIVE TEMPERATURE APPLICATIONS



E-CUT SLIM

Entry level swing doors



E-CUT SLIDING

Entry level sliding doors



E-CUT WIDE LOOK

Full glass look



MIRABILIA

Full transparent look - top of range



OPTIONS & ACCESSORIES



MAIN MENU



E-CUT SLIM



Great visibility: only a 15mm frame all around the perimeter



High Energy Saving performance: 1.3 K glass value



Thousands products operating in the market

**MORE
INFORMATION**

**TECHNICAL
DATA SHEET**



MAIN MENU



E-CUT SLIM

E-Cut Slim allow to save the energy and to keep a comfortable temperature in the aisles of the stores by shielding the large cold dispersion typical of opened displayed cabinets and maximising the visibility of the displayed products.

E-Cut Slim has been designed with the utmost consideration for requests from the major OEMs to profit from a component which is extremely easy and quick to install on their production lines.

Integrated lighting devices

TGD “No Glare” anti-reflective glass

50% Saving!



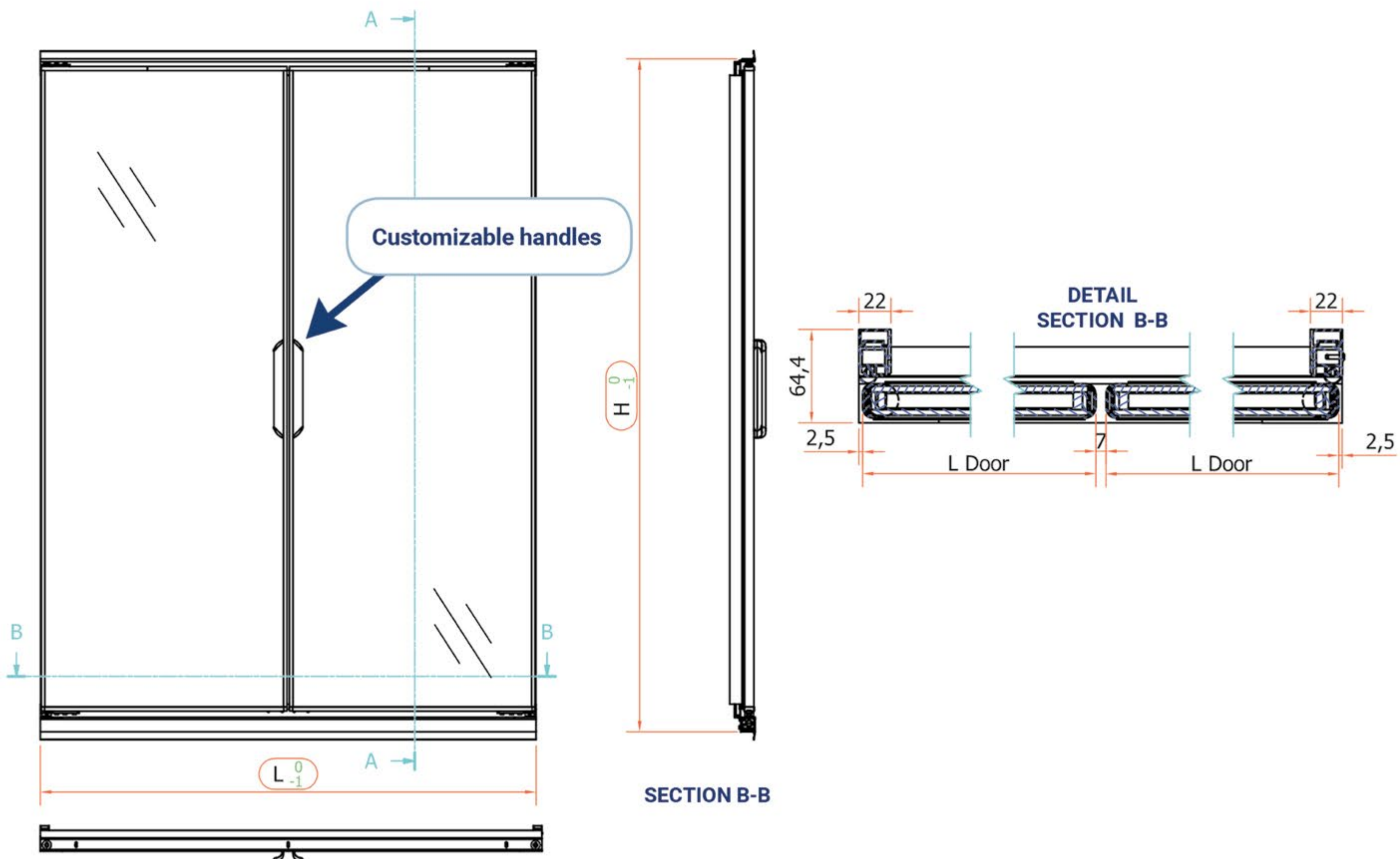


MAIN MENU



E-CUT SLIM TECHNICAL DATA SHEET

GO TO PAG.2



DOOR FEATURES

Swing doors made of double safety tempered glass unit complying with the UNI 12150 standard

High visibility of displayed products thanks to thin profile surrounding the insulated glass (only 15mm)

Insulated glass Ug value, 1.3;
Ultra saving option available to reach 1.1 Ug

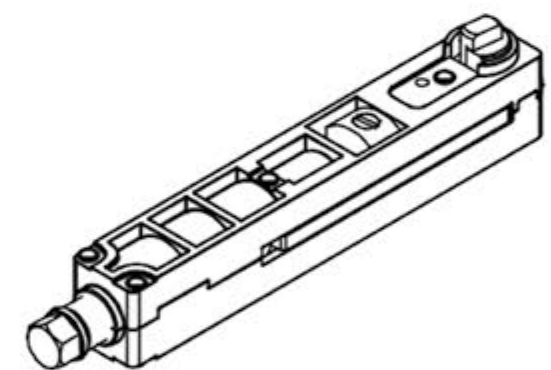
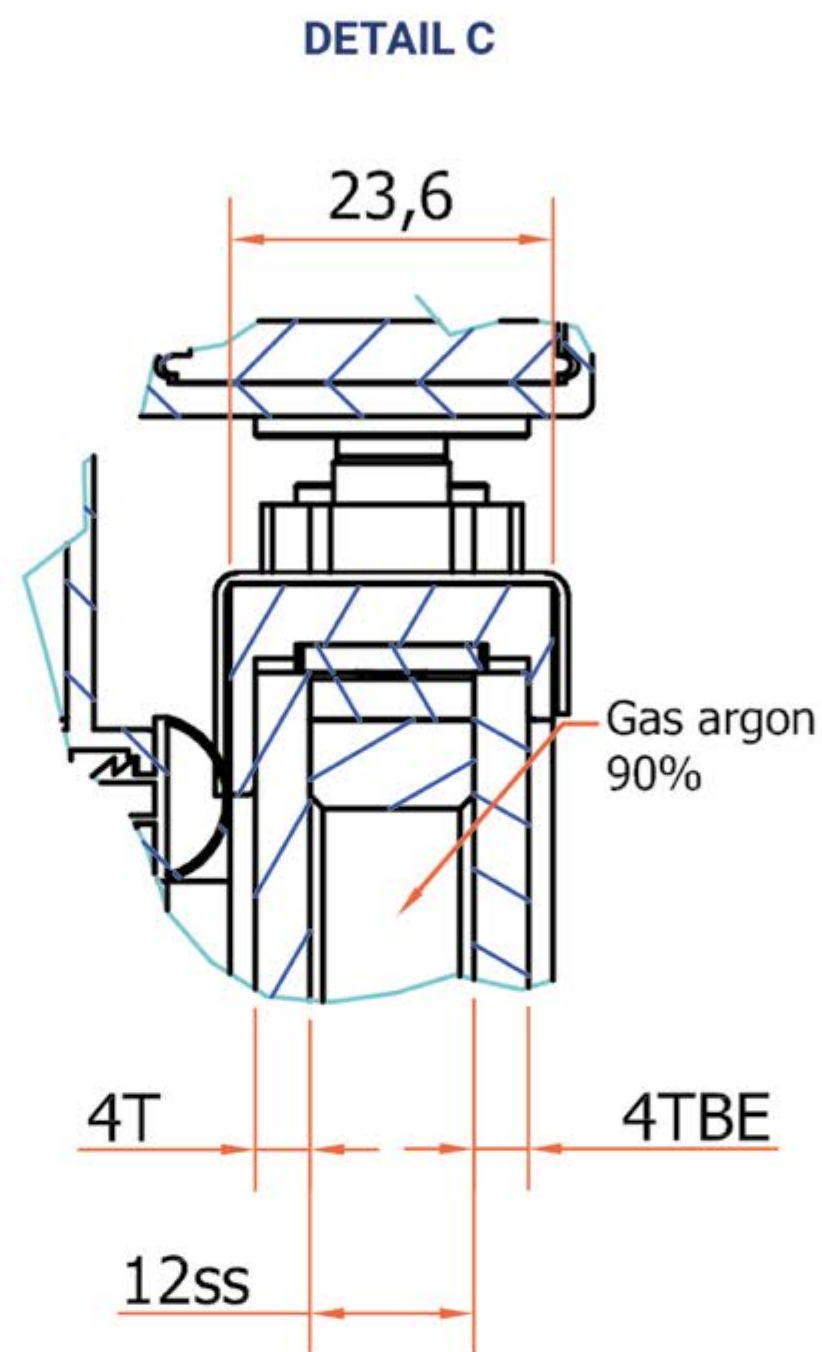
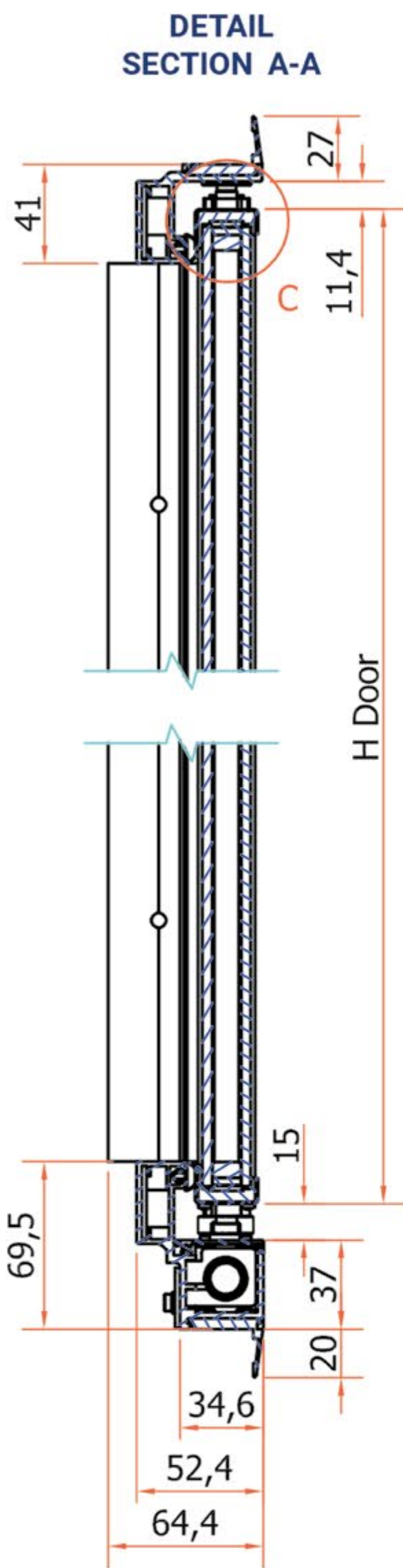
Light Transmission = 80%

Colour rendering = 98%

Customizable handles



E-CUT SLIM TECHNICAL DATA SHEET



**Bottom hinge
Soft Power 25**

FRAME FEATURES

Available colours: RAL 7035 or RAL 7015

Frame kit made of transoms only or completed with mullions for light fitting

Modular concept: frames can be alternated according to any possible lay-out of the display units

"Easy Fitting" concept: quick and easy installation of the pre-assembled frames

Energy free frame, «0» maintenance

Self-closing devices pre-assembled in the bottom transom: "Soft Power 25" or "G Torque"



MAIN MENU



E-CUT SLIDING



Easy access: the best choice for all shops with narrow aisles



Easy cleaning: suspended doors on flat bottom profile



High Energy Saving performance: 1.3 K glass value

**MORE
INFORMATION**

**TECHNICAL
DATA SHEET**



MAIN MENU



E-CUT SLIDING

E-Cut Sliding allows to save the energy and to keep a comfortable temperature in the narrowest aisles of the stores, by shielding the large cold dispersion typical of opened displayed cabinets and by maximising the visibility of the displayed products.

E-Cut Sliding has been designed with the utmost consideration for requests from the major OEMs willing to profit from a component which is extremely easy and quick to install on their production lines.

Easy-to-clean

**TGD No Glare”
anti-reflective
glass**

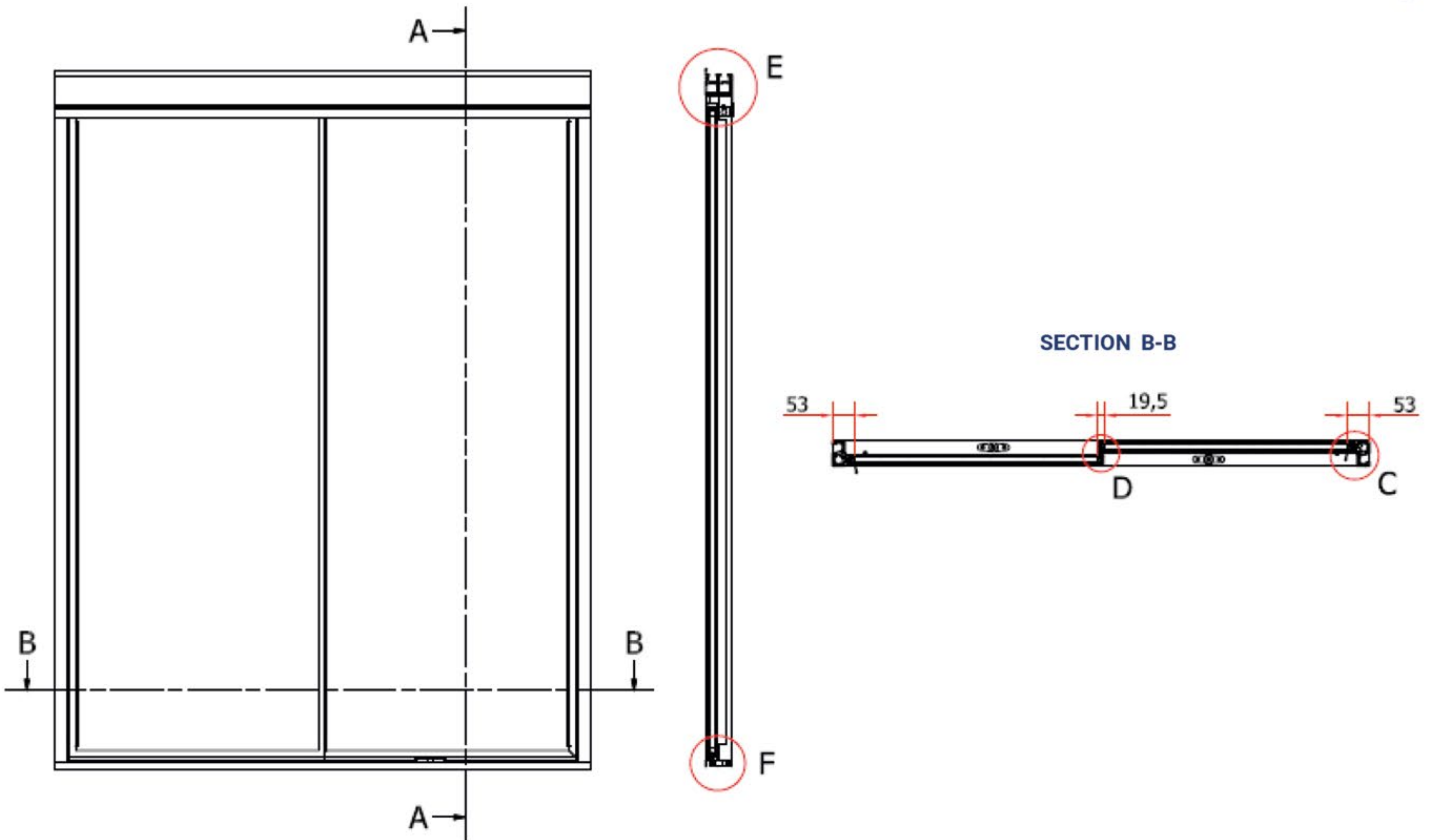
**50%
Saving!**





E-CUT SLIDING TECHNICAL DATA SHEET

GO TO PAG.2



DOOR FEATURES

Sliding doors made of double safety tempered glass unit complying with the UNI 12150 standard

Insulated glass Ug value, 1.3;
Ultra saving option available to reach 1.1 Ug

Light Transmission = 80%

Colour rendering = 98%

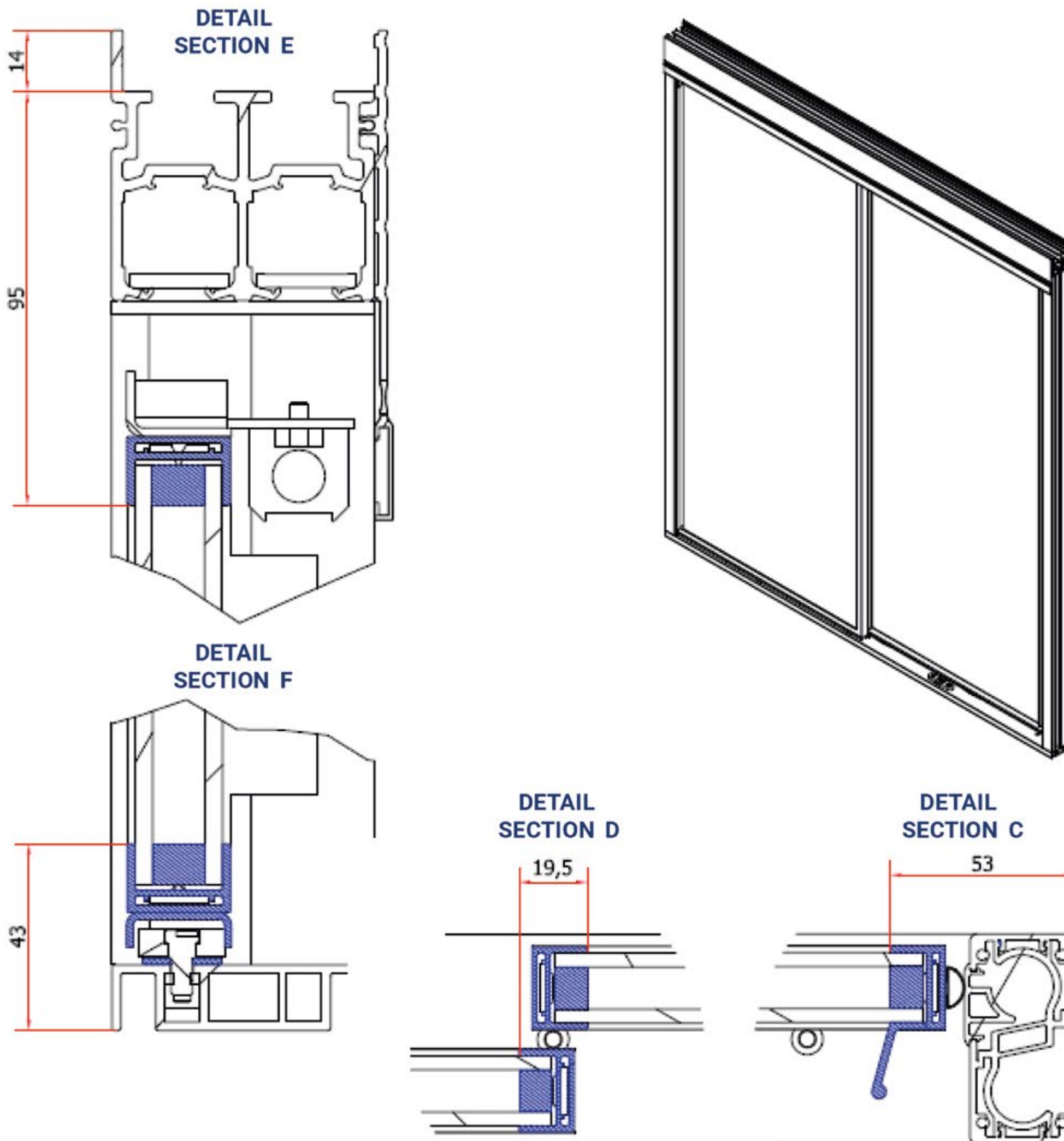
Wide open doors retainers to ease the cabinet loading

All along height handle

Key pad lock on demand



E-CUT SLIDING TECHNICAL DATA SHEET



FRAME FEATURES

Available colours: RAL 7035

Frame kit made of transoms and mullions for light fitting

Modular concept: frames can be alternated according to any possible lay-out of the display units

"Easy Fitting" concept: quick and easy installation of the pre-assembled frames

Energy free frame, «0» maintenance

Self-closing action provided by lateral counter weight

Frame mullion for led fitting available on demand



MAIN MENU



E-CUT WIDE LOOK



Full Glass door attractive appearance



“0 Energy” frame solutions and the latest generation of **“Full Glass Doors”**



Superior reliability: thousands products operating in the market

**MORE
INFORMATION**

**TECHNICAL
DATA SHEET**



MAIN MENU



E-CUT WIDE LOOK

Product appearance perfectly matches all major and most demanding retail industry brand requirements.

The essential Italian design highlights stored products, increasing impulse buying behaviour thanks to the correct balance between the dark glass door frame and the intense LED light.

Two possible options:

Master-Vision: with the door surrounded by the master frame

Pro-Vision: with the door exceeding the frame at the top.

Master Vision



Pro Vision



The best Outlook





MAIN MENU

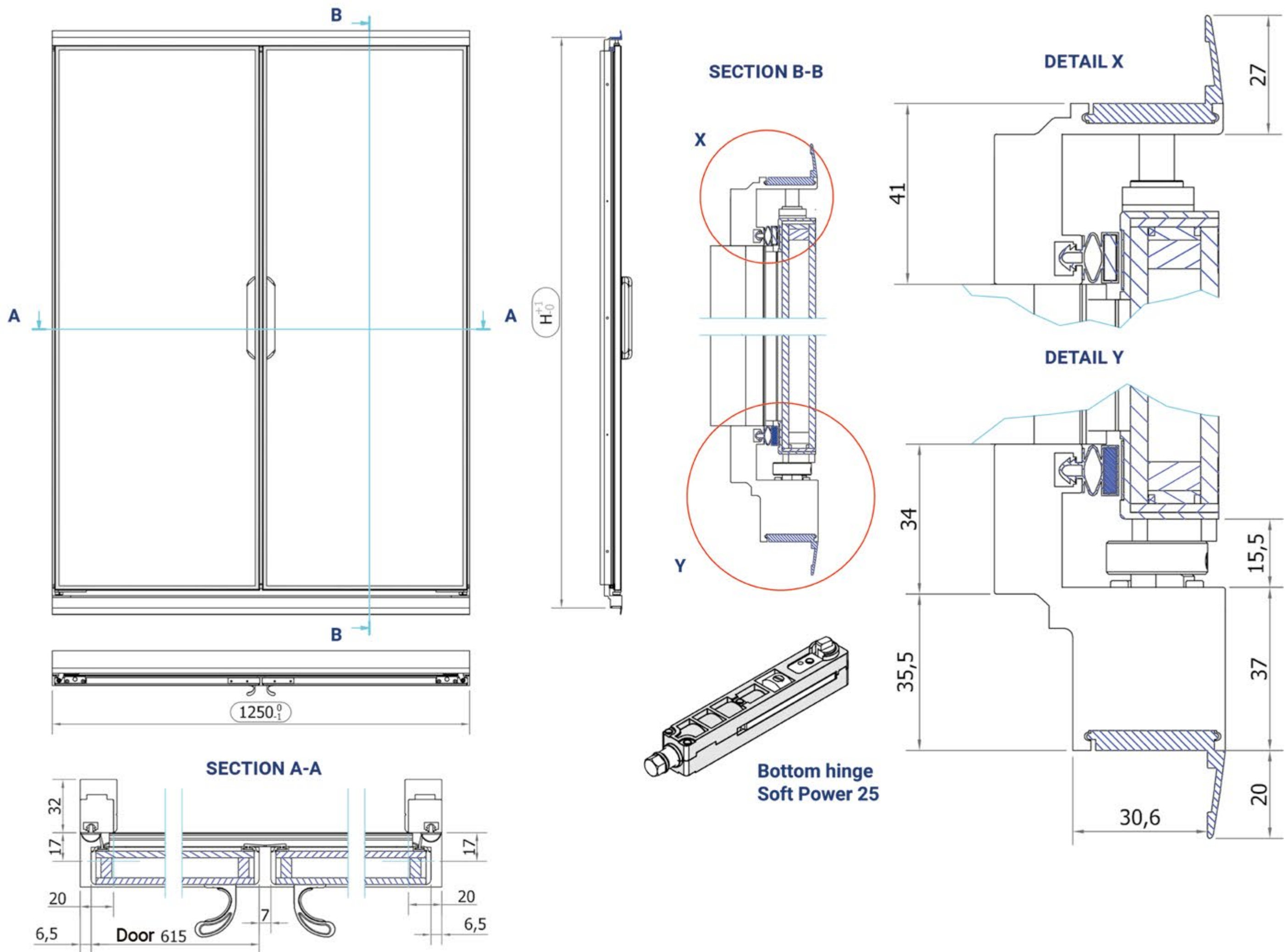


E-CUT WIDE LOOK TECHNICAL DATA SHEET

GO TO PAG.2



MASTER VISION



DOOR GLASS

Swing doors made of safety tempered double glazing glass complying with the UNI 12150 standard

1.3 Ug Value insulated glass

80% Light transmission

98% colour rendering

FRAME

PVC supporting frame in reinforced aluminium, RAL 7035 or RAL 7015 PVC coloured frame

Modular concept: frames can be alternated according to any possible trunking of display cases

Led equipped or Led predisposed

Patented adjustable Soft Closing device

Maintenance free

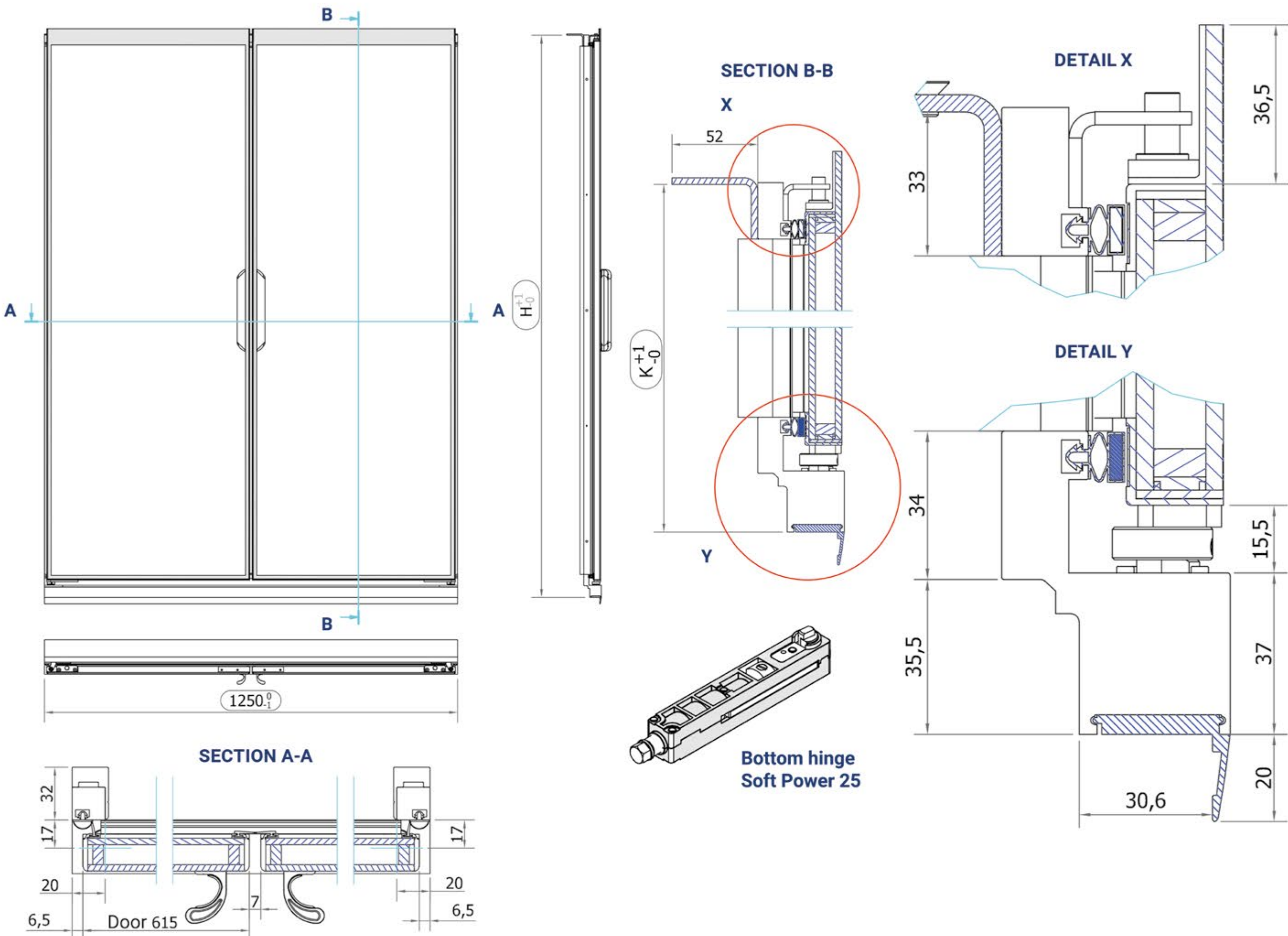


MAIN MENU



E-CUT WIDE LOOK TECHNICAL DATA SHEET

PRO VISION



DOOR GLASS

Swing doors made of safety tempered double glazing glass complying with the UNI 12150 standard

Silk screened external glass layer

1.3 Ug Value insulated glass

80% Light transmission

98% colour rendering

FRAME

PVC supporting frame in reinforced aluminium, RAL 7035 or RAL 7015 PVC coloured frame

Modular concept: frames can be alternated according to any possible trunking of display cases

Led equipped or Led predisposed

Patented adjustable Soft Closing device

Maintenance free



MAIN MENU



by TGD
Mirabilia[®]



NEW

4mm: the thinnest solution on the market



Widest transparent surface and slimmest edge on the market (4mm)



**Best thermal efficiency
(up to Ug Value = 1.2)**



**Available in anti-reflective version
(up to Ug Value = 1.2)**

**MORE
INFORMATION**

**TECHNICAL
DATA SHEET**

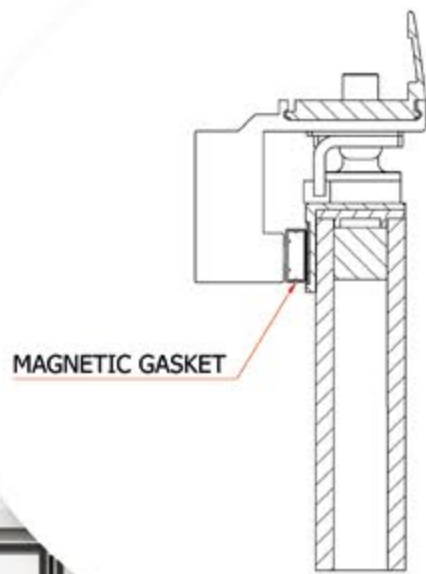


MAIN MENU

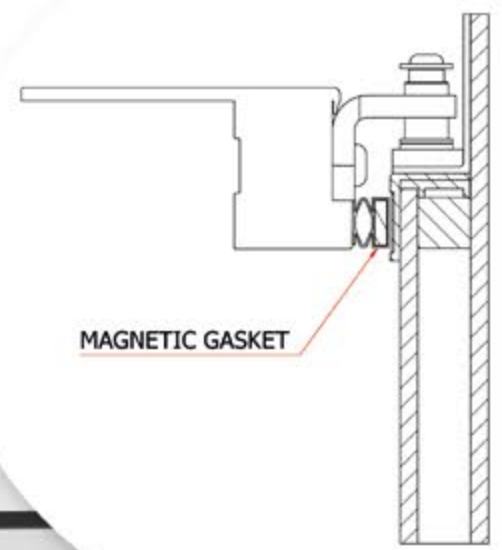


Mirabilia is the ultimate “**full-view**” glass door from **TGD**, engineered for the top cooling appliances of the most advanced retail industry suppliers. **Two configurations** to provide the most efficient resentation of goods enhancing the value of our partners’ products.

Master Vision



Pro Vision



How to boost the sales of each store:

Best product visibility and maintenance-free solution for advanced retailers, boosting their sales

Best green solution allowing the highest energy cost saving in the cooling chain

Best purchasing experience with higher comfort in the shop aisle

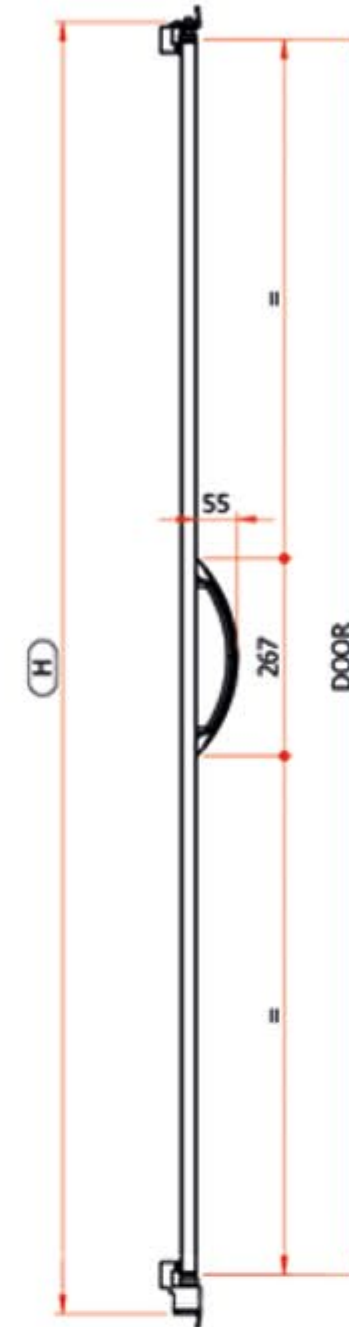
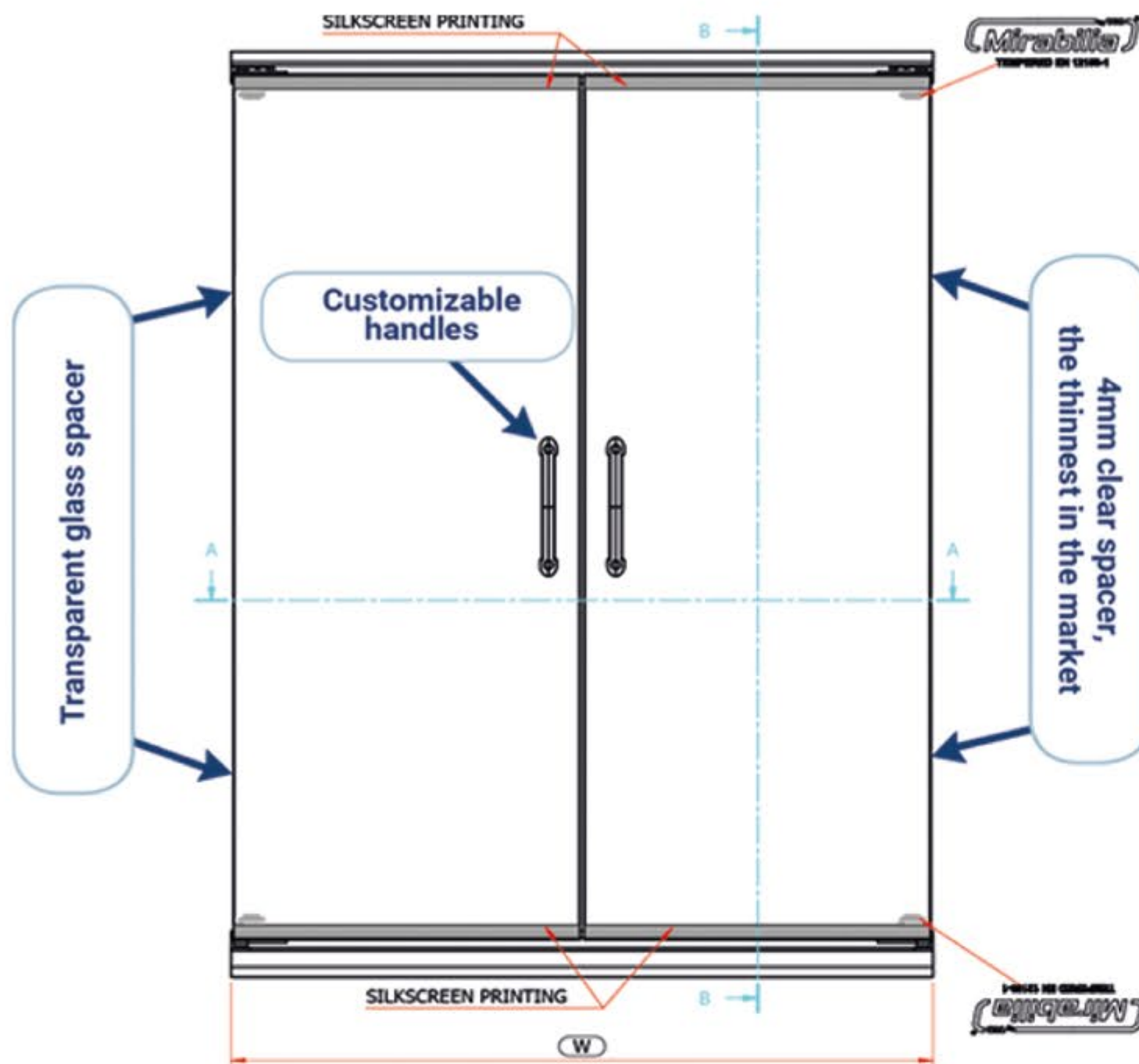


MIRABILIA TECHNICAL DATA SHEET

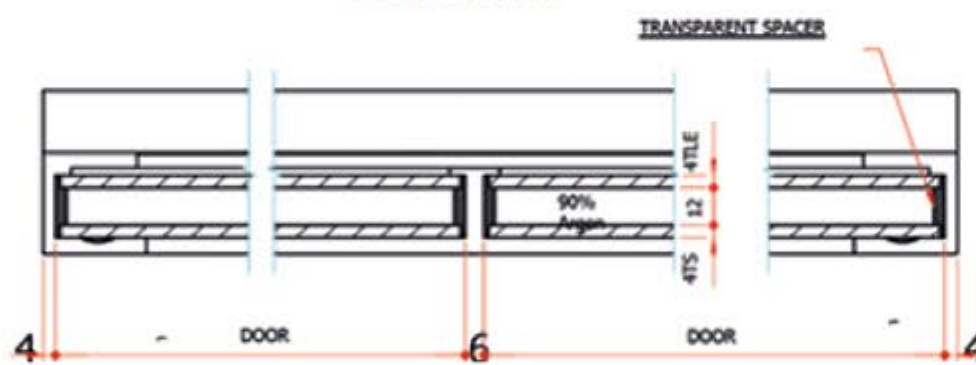
GO TO PAG.2



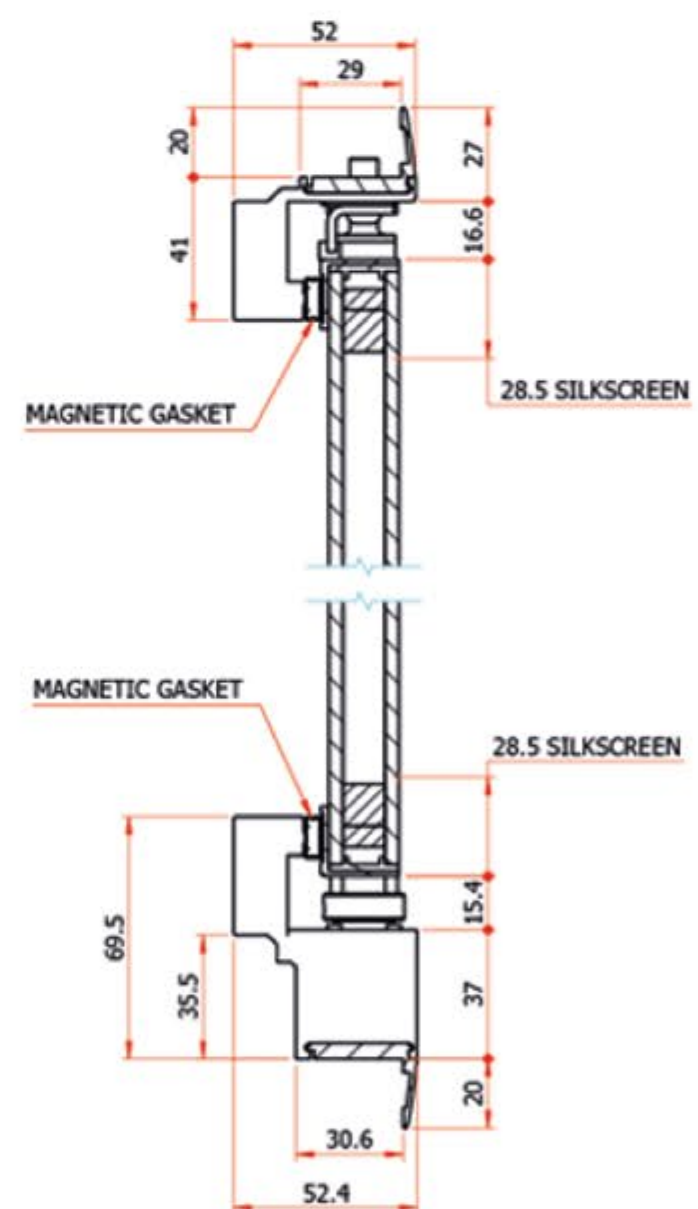
MASTER VISION



SECTION A-A



SECTION B-B



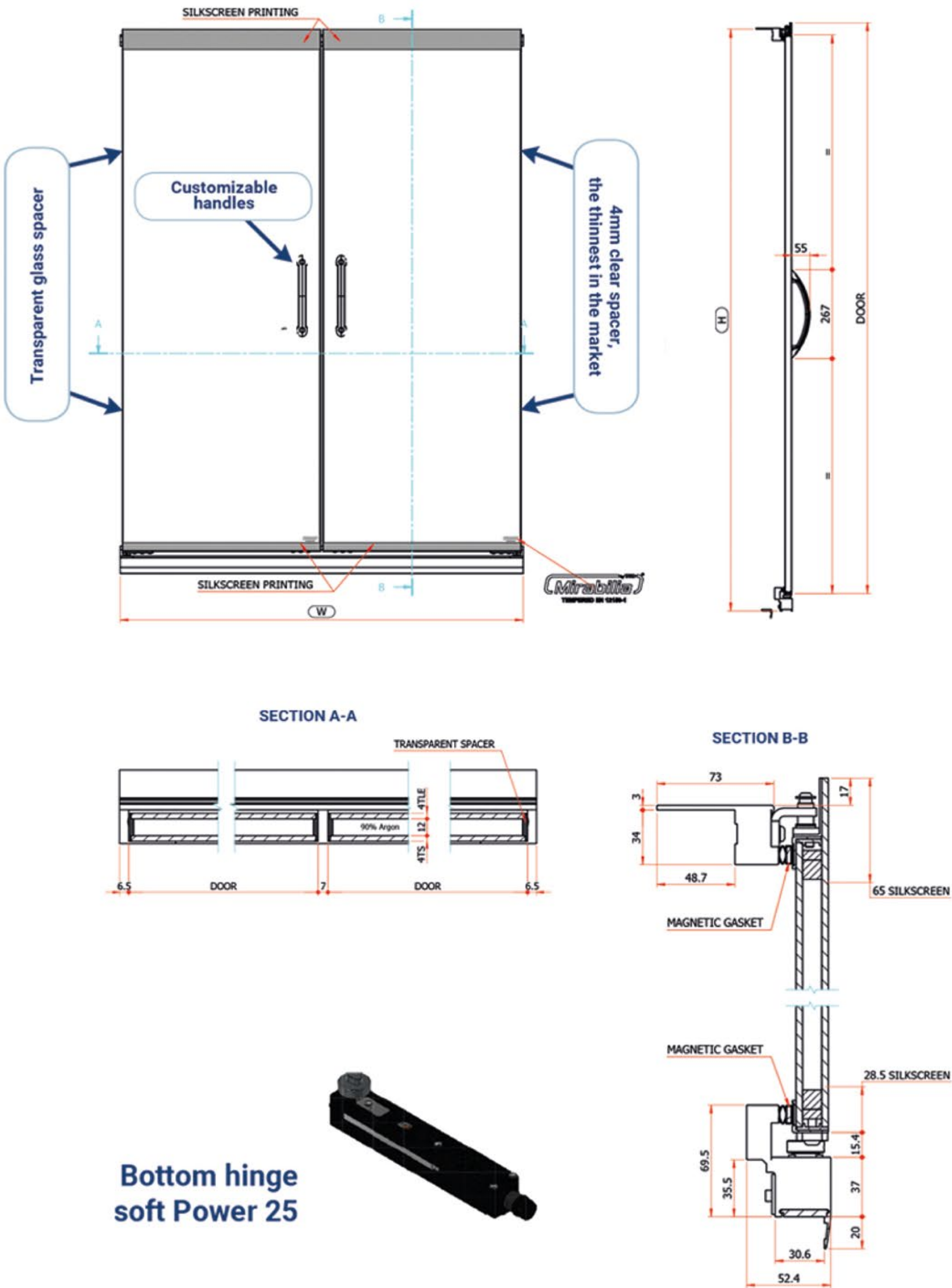
Bottom hinge soft Power 25

- **Swing doors** made of double safety glass in compliance with EN 60335-2-89:2018-10 standard
- **81%** Light Transmittance Value (AR version: 90%)
- **13%** Light Reflectance Value (AR version: 2%)
- **98%** Color Rendering (AR Version: 97%)
- **Gas leakage**/moisture penetration certified solution (EN-1279-2 and EN-1279-3)
- **No color change** in the glass composite
- **5-year glass** performance guarantee
- **Easy cleaning** of the glass surfaces with common-use detergents
- Wide range of **customizable handles**
- **Energy free solution**, «0» maintenance
- Frame uprights for **LED** fitting available on demand
- **Self-closing system** by gravity or by mechanical speed-controlled device



MIRABILIA TECHNICAL DATA SHEET

PRO VISION



- **Swing doors** made of double safety glass in compliance with EN 60335-2-89:2018-10 standard
- **81%** Light Transmittance Value (AR version: 90%)
- **13%** Light Reflectance Value (AR version: 2%)
- **98%** Color Rendering (AR Version: 97%)
- **Gas leakage**/moisture penetration certified solution (EN-1279-2 and EN-1279-3)
- **No color change** in the glass composite
- **5-year glass** performance guarantee
- **Easy cleaning** of the glass surfaces with common-use detergents
- Wide range of **customizable handles**
- **Energy free solution**, «0» maintenance
- Frame uprights for **LED** fitting available on demand
- **Self-closing system** by gravity or by mechanical speed-controlled device



MAIN MENU



GLASS DOOR SYSTEMS FOR NEGATIVE TEMPERATURE APPLICATIONS



LINE-UP MAX LINE

The most diffused



LINE-UP MAX LINE E/S

The Energy Saving Solution



LINE-UP WIDE LOOK LT

The Top Level Solution



GREEN GAS HEATED FRAME

The best solution for Plug-In cabinets



OPTIONS & ACCESSORIES



MAIN MENU



LINE-UP MAX LINE



Extreme reliability: hundred thousand of products operating in the market



Perfect adaptability to any operating conditions



The world-wide solution: available with any voltage predisposition

**MORE
INFORMATION**

**TECHNICAL
DATA SHEET**



MAIN MENU



LINE-UP MAX LINE

The Max product range for wall freezers offers **the highest reliability** for those looking for a product created with traditional technology, **simple and easy to use** in any operating environment.

The thousands of units produced and active on the market constitute the **major guarantee of absolute efficiency.**

World Wide adaptability



Extreme reliability



Customisable handles and colours



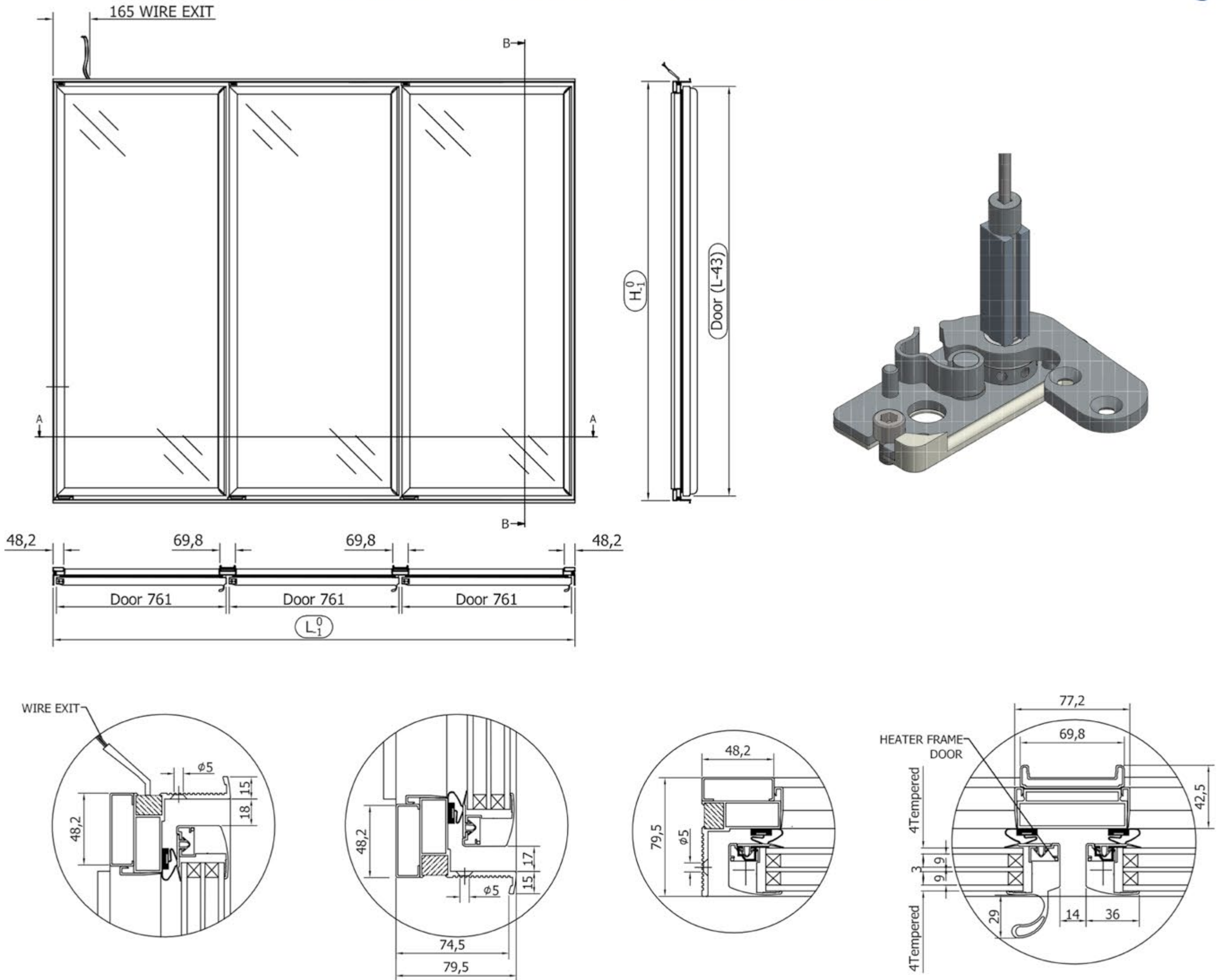


MAX LINE TECHNICAL DATA SHEET

GO TO PAG.2



FRAMED DOORS CONFIGURATION



ALUMINIUM FRAMED GLASS DOOR

STANDARD HEATING MASTER FRAME

Exclusive design and full height comfortable grip handle

Silver satin aluminium insulated by Ral 9005 Pvc covers

Left to right hand and vice versa reversible door

Any frame is adapted to receive aluminium framed or full glass doors by TGD

Swing door made of triple glass with security exterior layers according to UNI 12150 standard

Available configurations: 1, 2, 3, 4 and 5 openings

Glass standard heating: 220V 100W/SQM (any other voltage and wattage available on demand)

T8 and led on board prepared or led pre-wired configuration available

Aluminium frame standard heating: 220V 7.5W/LMT (any other voltage and wattage available on demand)

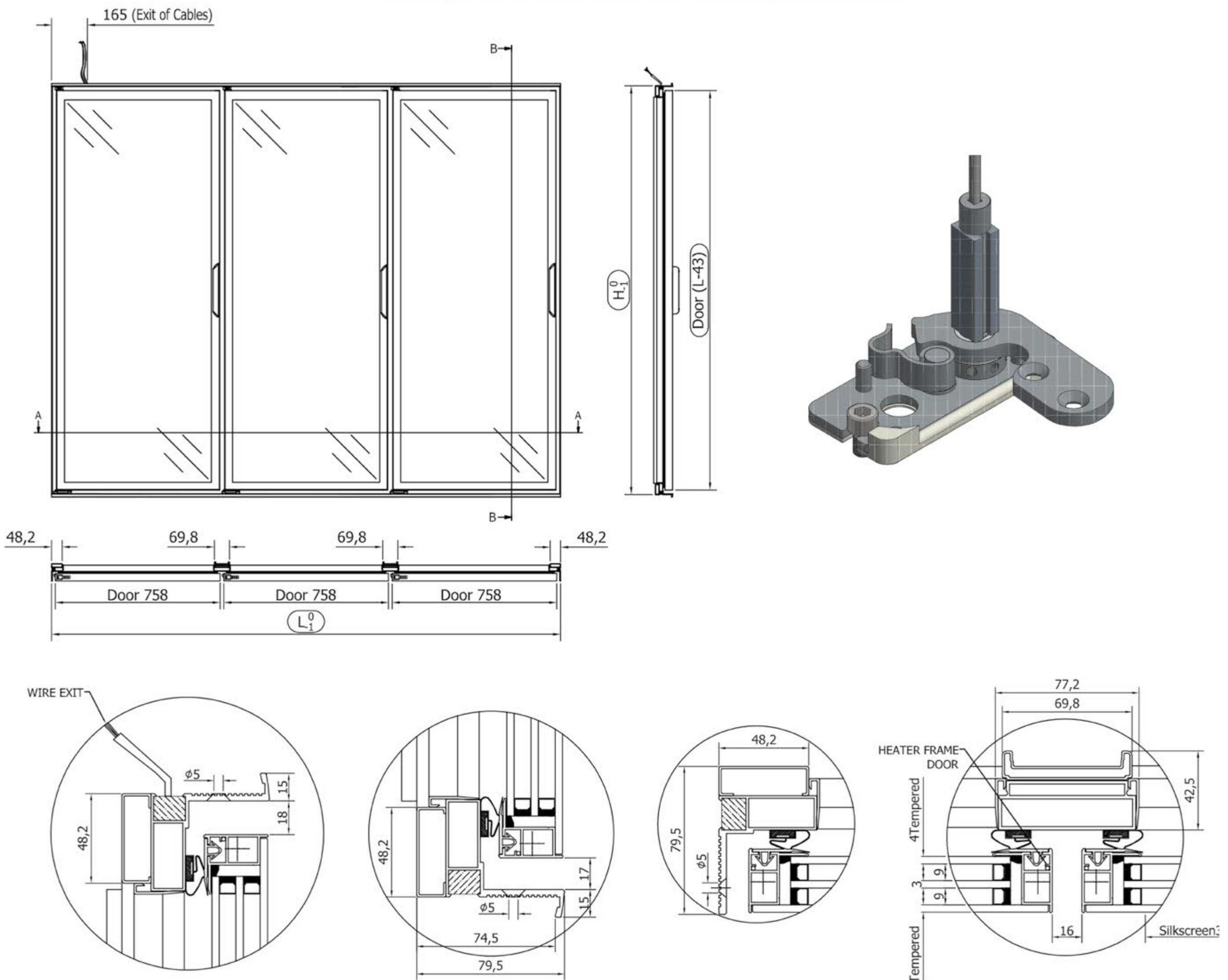
Adjustable self-closing action by torsion bar

Manual open wide door lock



MAX LINE TECHNICAL DATA SHEET

FULL DOORS CONFIGURATION



FULL GLASS DOOR

STANDARD HEATING MASTER FRAME

Full Glass door with customizable exterior Ral 9005 silk screen (other colours available on demand)

Silver satin aluminium insulated by Ral 9005 Pvc covers

High fashion Italian design with full height or short comfortable grip handle

Any frame is adapted to receive aluminium framed or full glass doors by TGD

Left to right hand reversible door

Available configurations: 1, 2, 3, 4 and 5 openings

Swing door made of triple glazing glass with security exterior layers according to UNI 12150 standard

T8 and led on board prepared or led pre-wired configuration available

Glass standard heating: 220V 100W/SQM (any other voltage and wattage available on demand)

Aluminium frame standard heating: 220V 7.5W/LMT (any other voltage and wattage available on demand)

Adjustable self-closing action by torsion bar



MAIN MENU



LINE-UP MAX LINE E/S



“0 Energy” door cuts the energy consumption of any wall freezer display



Anti Fog performance for the best products presentation



The highest payback on your investment

**MORE
INFORMATION**

**TECHNICAL
DATA SHEET**



MAIN MENU



LINE-UP MAX LINE E/S

The Energy Saving version of the Max range is the perfect combination of two elements enhancing the thermal insulation: **the “Cost Saver” frame and the “0 Energy” door.**

The Cost Saver frame **saves over 50% of energy** required by a common frame. **The 0 Energy door save 100% of the energy consumption** of traditional freezers doors.

The system is compatible with use in Class 3 of the Standard UNI 23953-2.

The most sophisticated
0 Energy Door

Low Energy
Master Frame

The highest
payback
on your investment



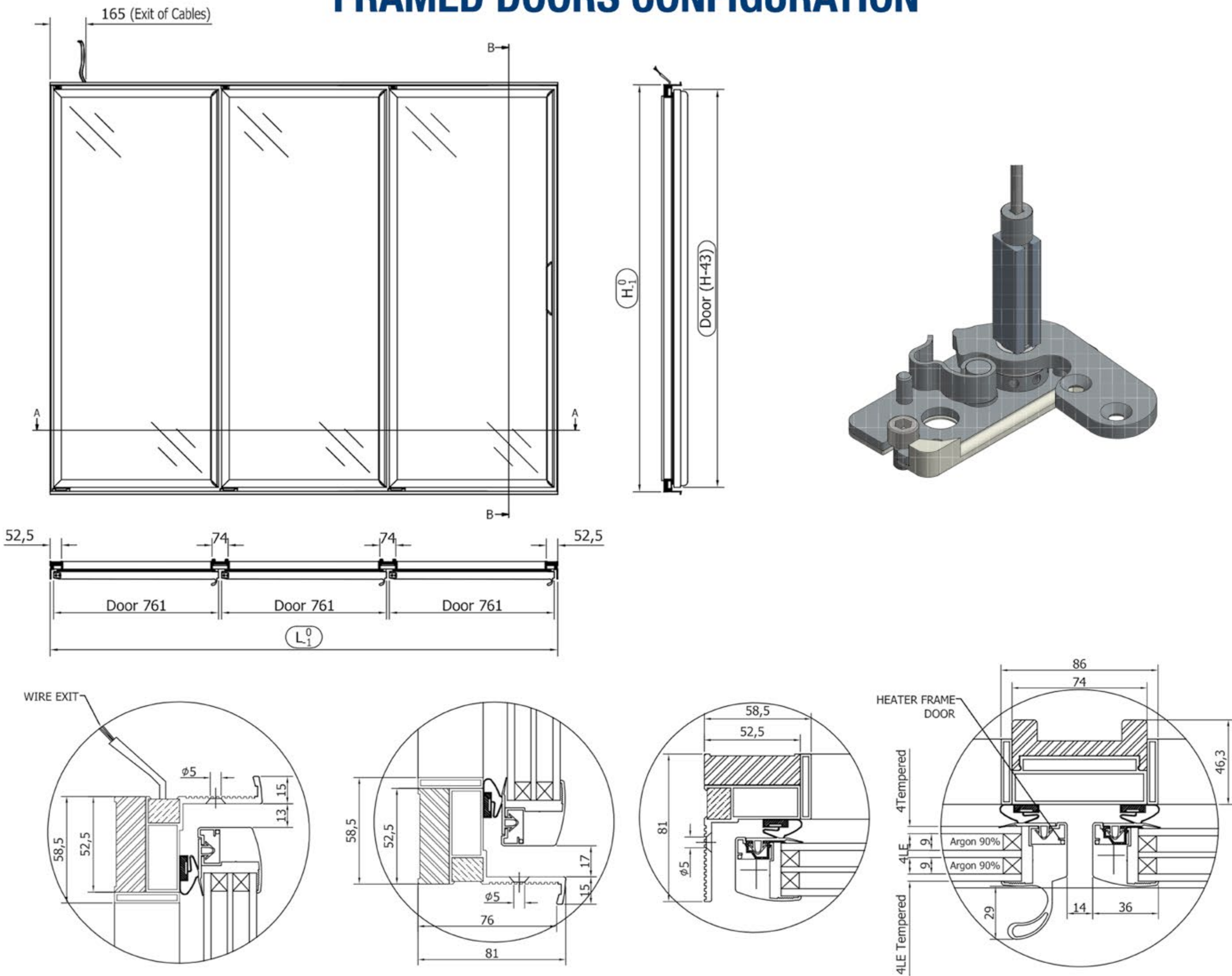


MAX LINE ENERGY SAVING TECHNICAL DATA SHEET

GO TO PAG.2



FRAMED DOORS CONFIGURATION



0 ENERGY ALUMINIUM FRAMED GLASS DOOR

- Exclusive design and full height comfortable grip handle
- Left to right hand and vice versa reversible door
- Swing door made of triple glass with security exterior layers according to UNI 12150 standard
- "0 Energy" insulated glass unit complying with UNI 23953 Class 3 requirements
- Anti-fog treatment on the inner glass layer
- "0 Energy" PVC and Aluminium combined frame
- Adjustable self-closing action by torsion bar
- Manual open wide door retainer

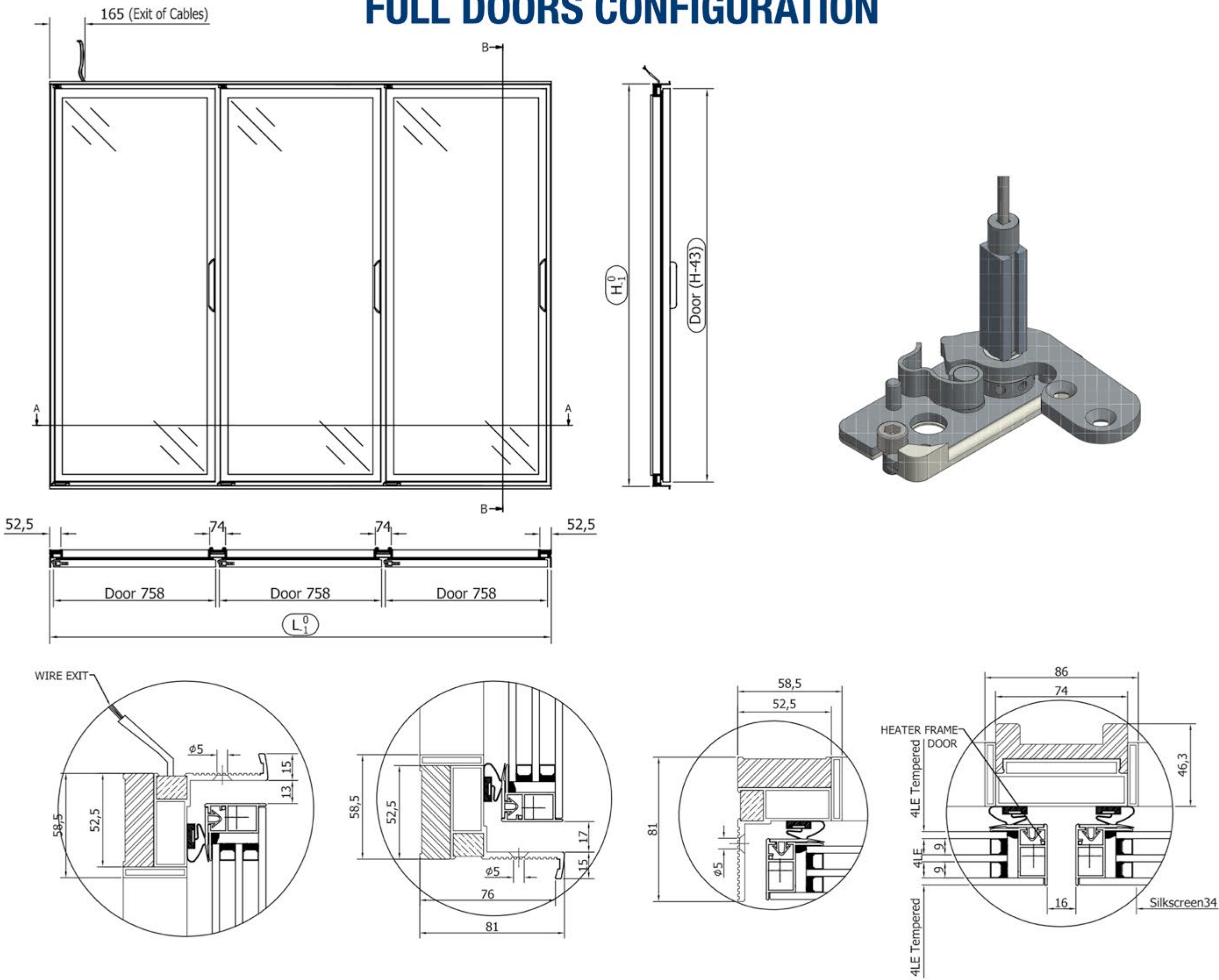
LOW ENERGY MASTER FRAME

- 50% heating power reduction face to the standard configuration
- Product complying with UNI 23953 Class 3 requirements
- Silver satin aluminium and Ral 7035 special Pvc covers
- Any frame is adapted to receive Aluminium Framed or Full Glass Doors by TGD
- Available configurations: 1, 2, 3, 4 and 5 openings
- Led on board or led pre-wired configuration available



MAX LINE ENERGY SAVING TECHNICAL DATA SHEET

FULL DOORS CONFIGURATION



0 ENERGY FULL GLASS DOOR

Full Glass door with customizable exterior Ral 9005 silk screen (other colours available on demand)

High fashion Italian design with full height or short comfortable grip handle

Left to right hand reversible door

Swing door made of triple glazing glass with security exterior layers according to UNI 12150 standard

"0 Energy" insulated glass unit complying with UNI 23953 Class 3 requirements

Anti-fog treatment on the inner glass layer

"0 Energy" PVC and Aluminium hidden combined frame

Adjustable self-closing action by torsion bar

Manual open wide retainer

STANDARD HEATING MASTER FRAME

50% heating power reduction face to the standard configuration

Product complying with UNI 23953 Class 3 requirements

Silver satin aluminium and Ral 7035 special Pvc covers

Any frame is adapted to receive Aluminium Framed or Full Glass Doors by TGD

Available configurations: 1, 2, 3, 4 and 5 openings

Led on board or led pre-wired configuration available



MAIN MENU



LINE-UP WIDE LOOK LT



Full Glass door attractive appearance



Low Energy master frame solution



Superior reliability: thousands products operating in the market

**MORE
INFORMATION**

**TECHNICAL
DATA SHEET**



MAIN MENU



LINE-UP WIDE LOOK LT

Any frame is made of 0 Energy doors is made of a **special combination of various materials** with different thermal conductivity, able to stop cold migration to the aluminium external surface.

The transparent section of the glass doors is made of high performance heat reflective glass layers, joined by warm edge having an extremely low cold transfer rate ($U_g=0.16$).

Such special features make TGD 0 Energy doors Comply with UNI 23953 class 3 standard, without any need for **electrical anti-condensing devices.**

**0 Energy Full
Glass Door**



**Low Energy
Master Frame**



**The best
Outlook**



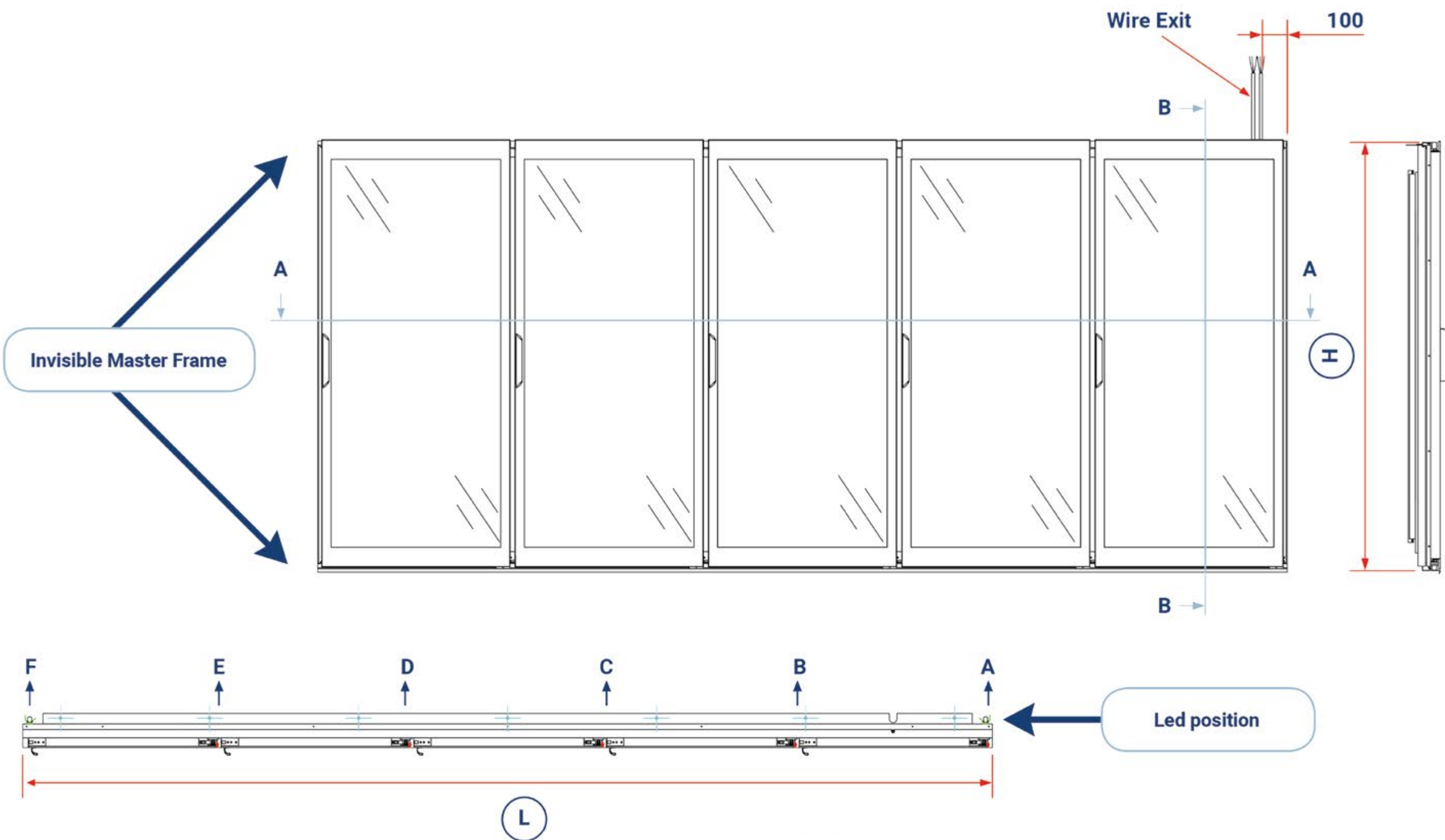


MAIN MENU



WIDE LOOK LT TECHNICAL DATA SHEET

GO TO PAG.2



FRAME

Low Energy Frame

Led Equipped

Lighting

Led Prewired

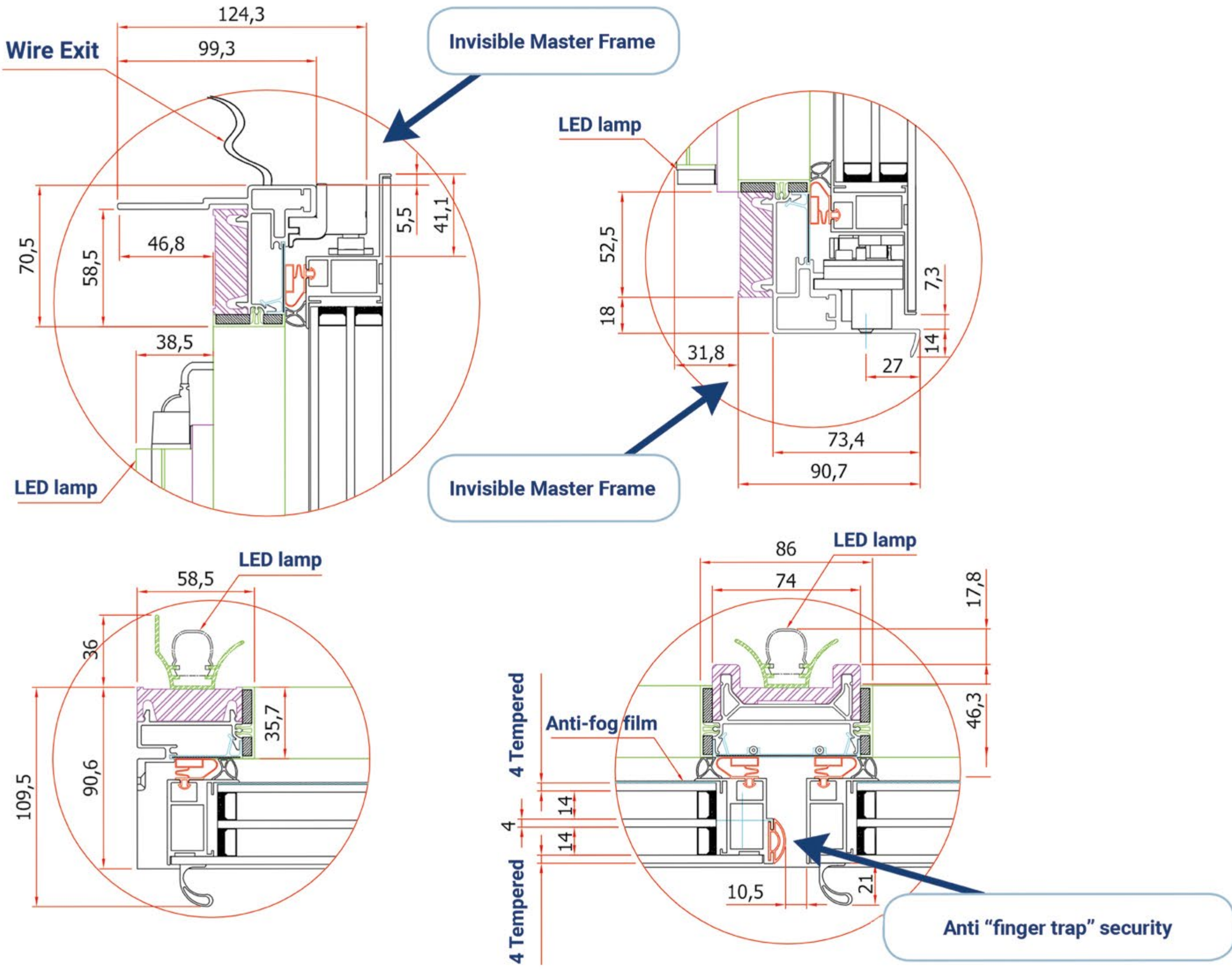
Hinge System 150.000 Cycles Tested

UNI 23953 Class 3 Tested

100% Electronic Functionality Test



WIDE LOOK LT TECHNICAL DATA SHEET



DOOR GLASS

- Standard Ug Value 1.0
- Various Antifog Film Options
- Twin Tempered Glass unit



MAIN MENU



GREEN GAS HEATED FRAME



The 100% Energy Saving Master Frame for Plug-in freezing applications



Electrical heaters substituted by **warm refrigerant gas circuit**



Higher efficiency thermodynamic circuit, **stronger benefit for the end user**

MORE INFORMATION

TECHNICAL DATA SHEET



MAIN MENU



GREEN GAS HEATED FRAME

The Green Gas heated frame combines the retail trend to prefer plug-in units using low GWP refrigerants, with a smart solution for using the same gas to avoid electrical anti defrosting heaters use

Soft Closing Device



Full Glass doors



0 Energy Master Frame



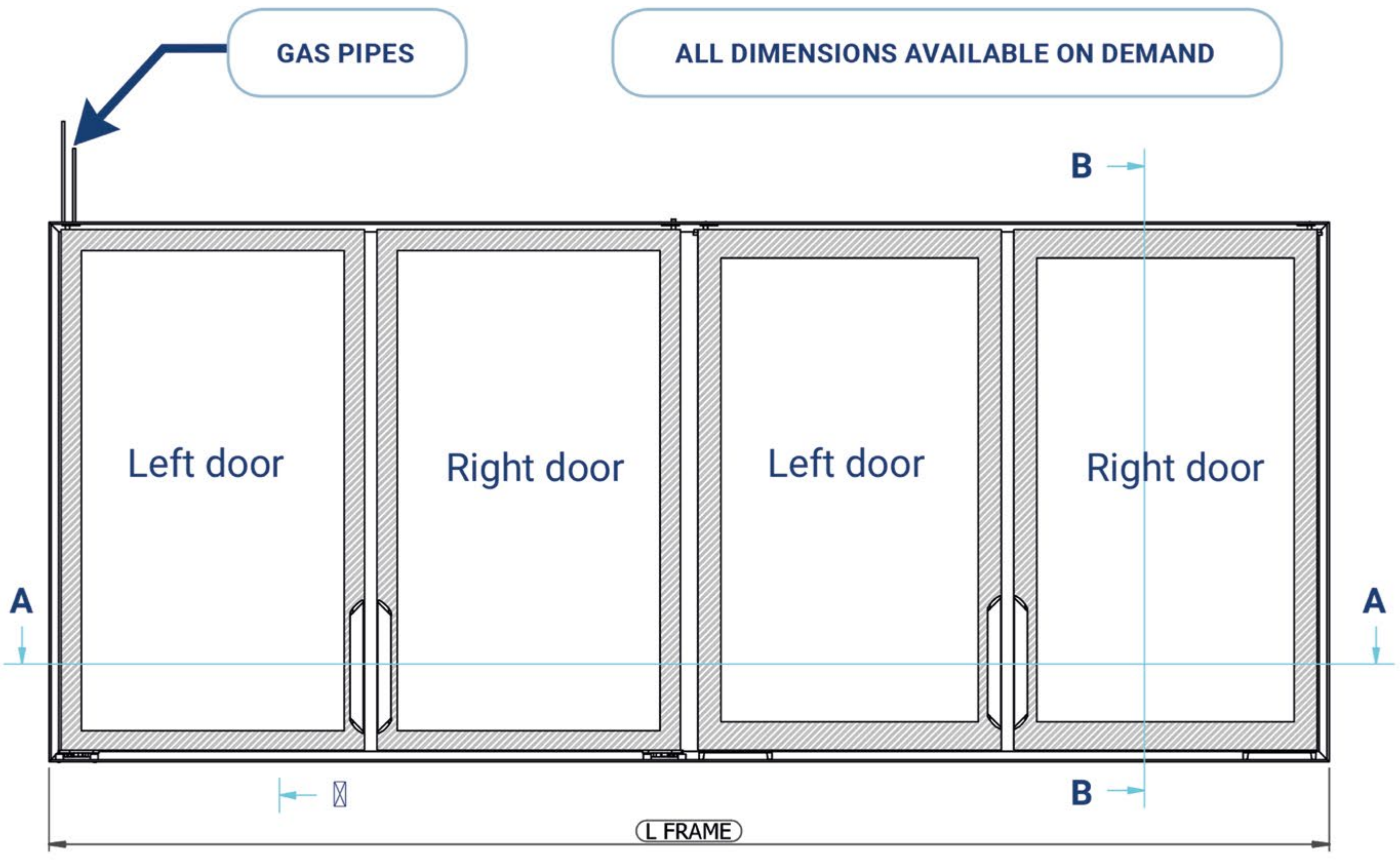


MAIN MENU

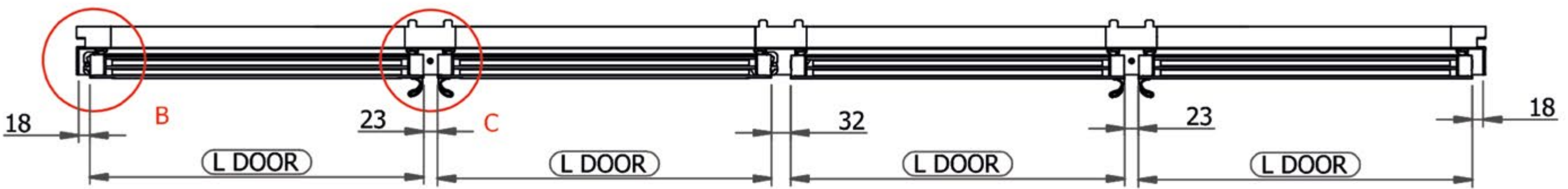


GREEN GAS HEATED FRAME TECHNICAL DATA SHEET

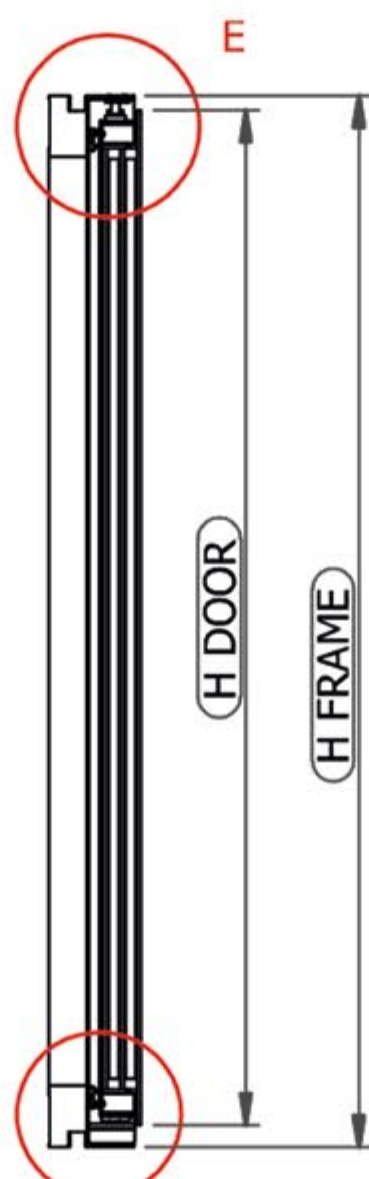
GO TO PAG.2



SECTION A-A



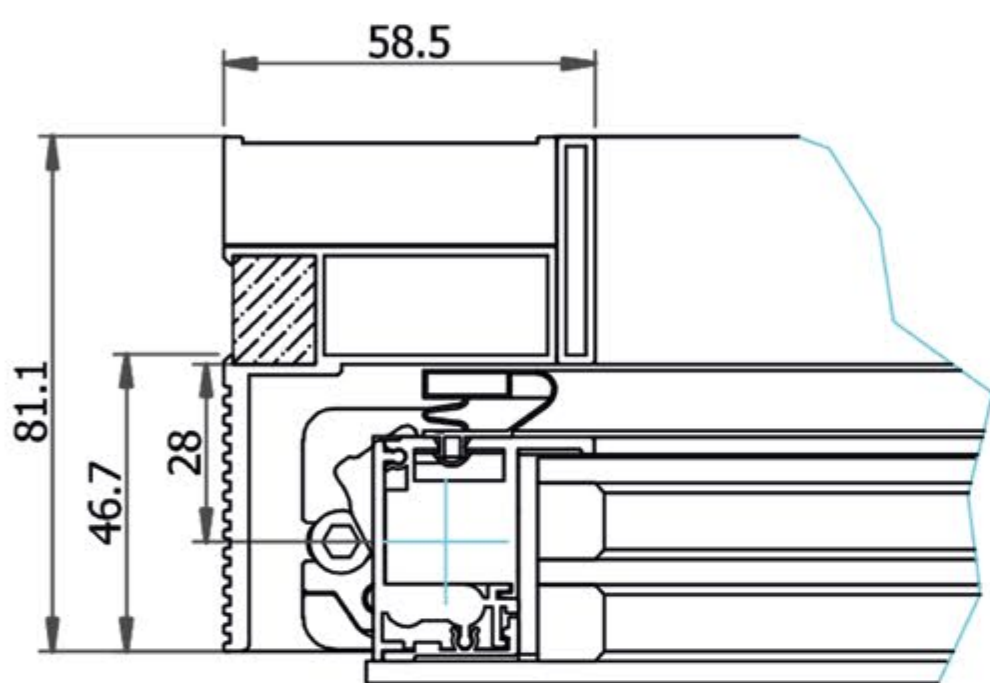
SECTION B-B



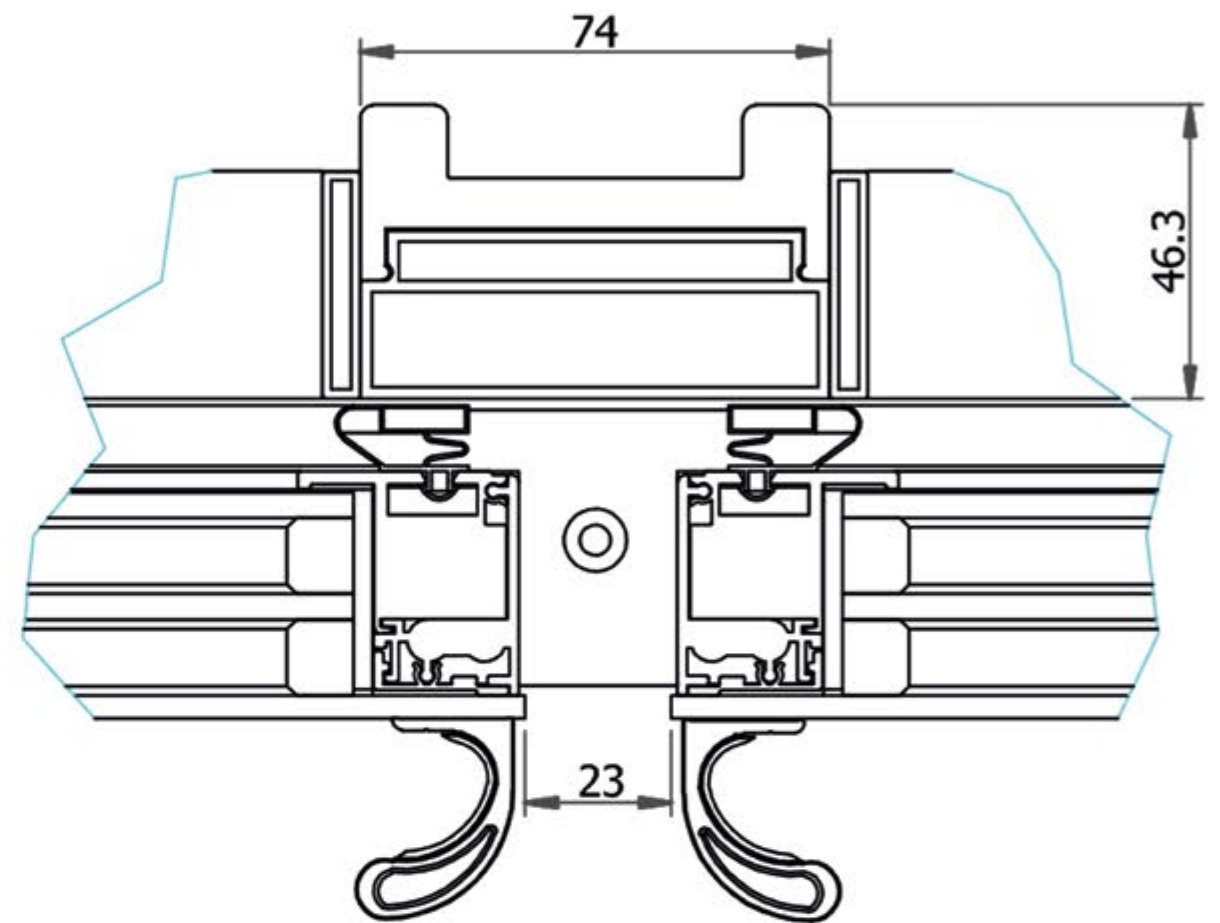


GREEN GAS HEATED FRAME TECHNICAL DATA SHEET

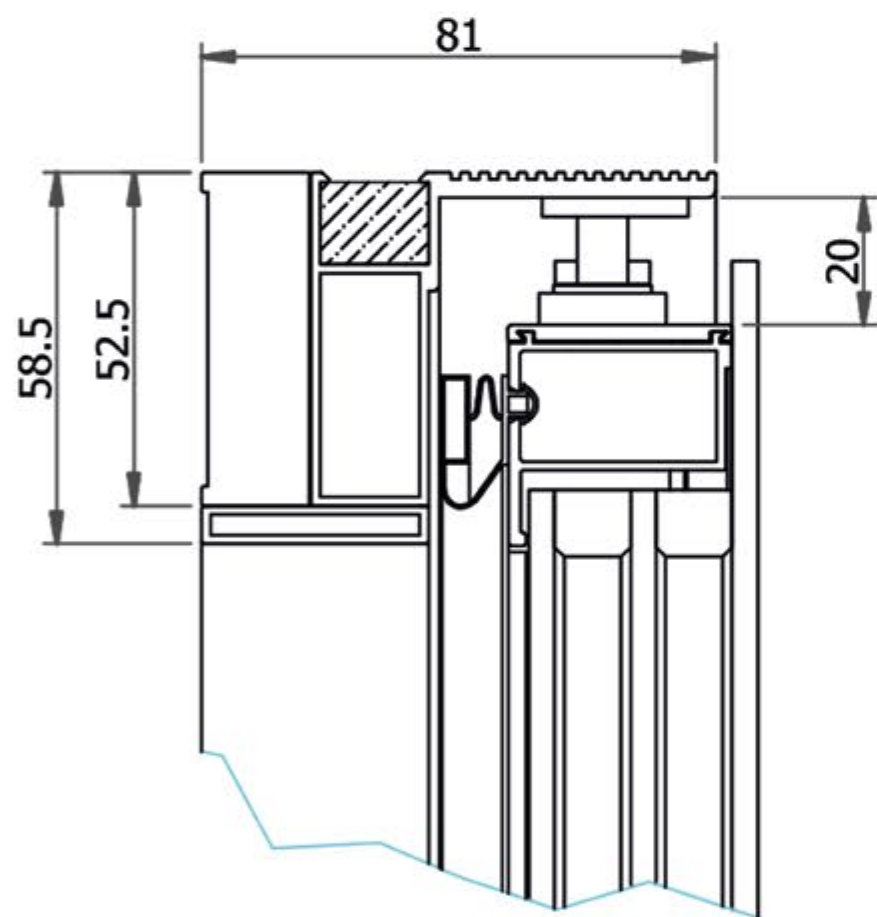
PARTICULAR B



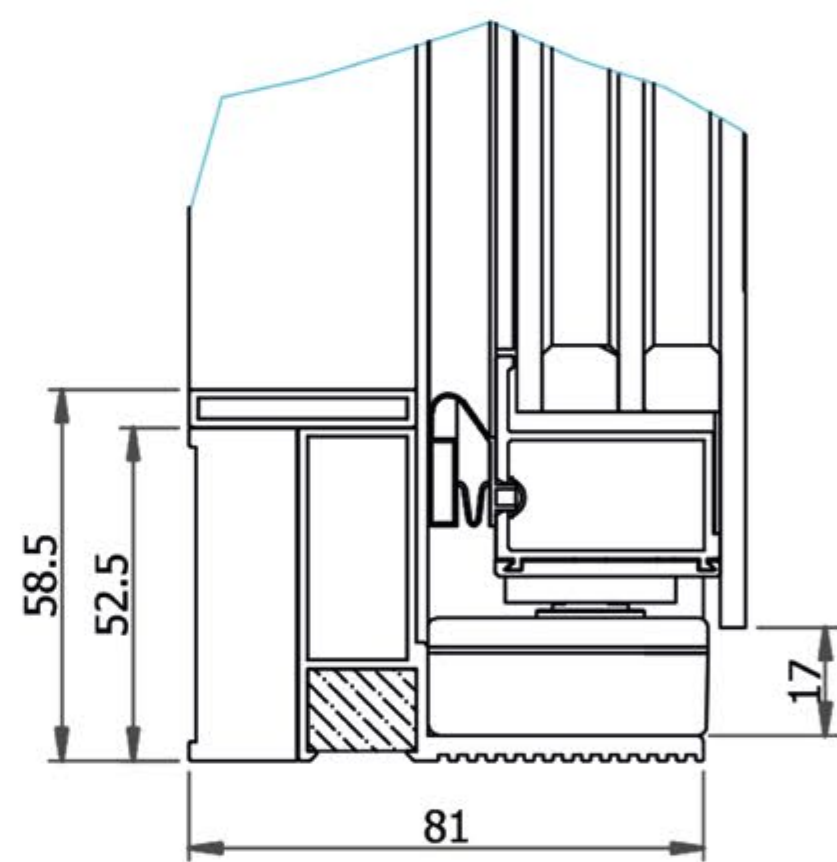
PARTICULAR C



PARTICULAR E



PARTICULAR F



GLASS DOOR

Swing door made of "0 Energy" safety triple glass

Silk screened external glass layer

Internal glass antifog treatment

UNI 12150 and UNI 23953 class 3 complying component

0.7 Ug insulated glass

76% Light transmission

97% Colour rendering

Patented adjustable self closing device 500.000 cycles tested

MASTER FRAME

Natural gas defrosting technology

LED Equipped or LED Prewired configuration

Uni 23953 Class 3 tested components

Maintenance free



MAIN MENU



GLASS DOOR SYSTEMS FOR **COLD ROOMS**



LT WALK-IN GLASS DOOR SYSTEM

Negative temperature application



NT WALK-IN GLASS DOOR SYSTEM

Positive temperature application



ROLL-IN GLASS DOOR SYSTEM

Maxi wide door



OPTIONS & ACCESSORIES



MAIN MENU



LT WALK-IN GLASS DOOR SYSTEM

Negative temperature application



660 - 760 mm wide door



The most reliable glass door insert



Tropical version available

**MORE
INFORMATION**

**TECHNICAL
DATA SHEET**



MAIN MENU



LT WALK-IN GLASS DOOR SYSTEM

Negative temperature application

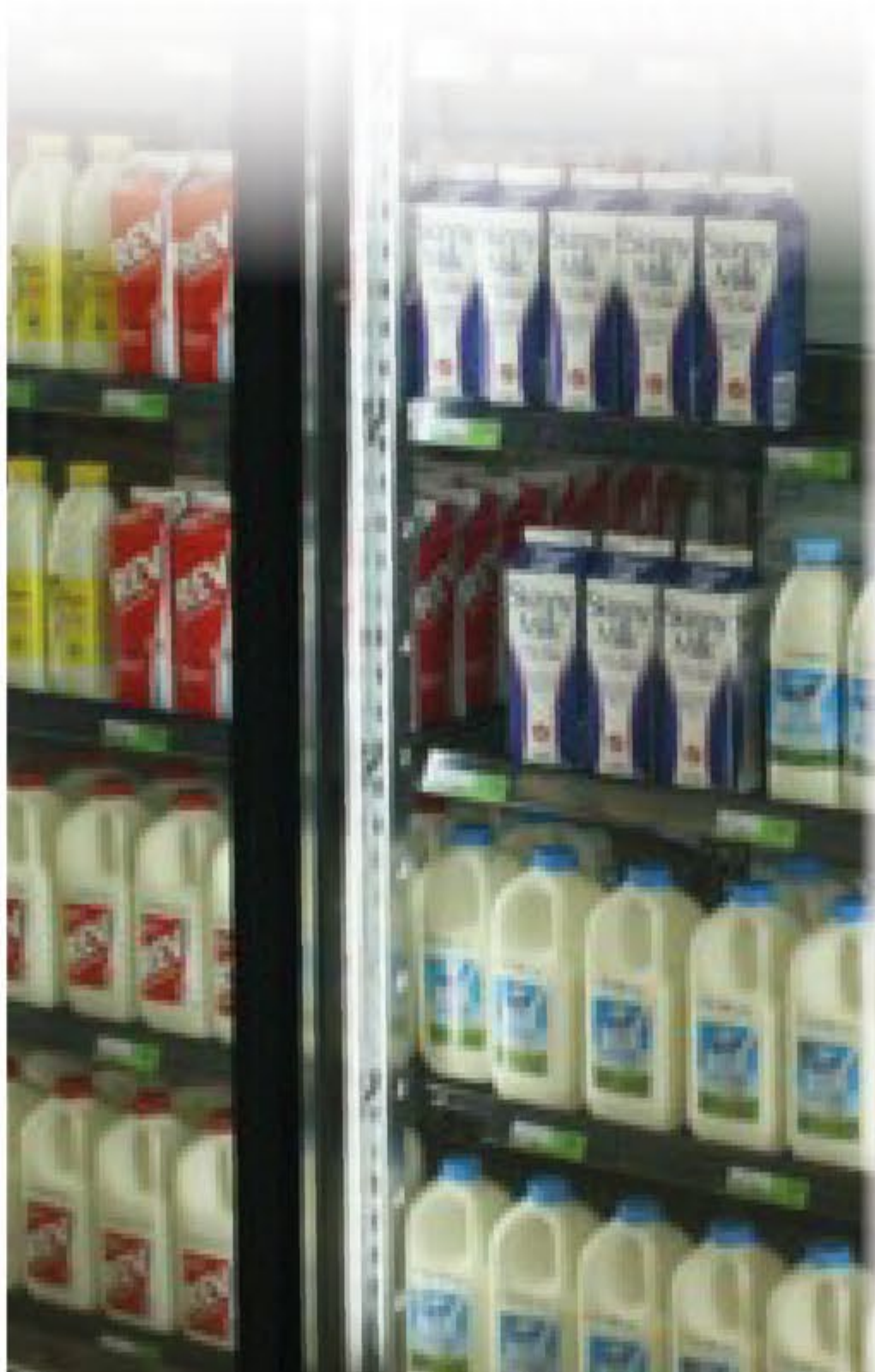
The standard range of inserts for cold rooms, typical of the convenience store and petrol station distributors.

A huge range of accessories for those wanting to take the opportunity to exploit a small space for storing goods and their retail sale at the same time.

Low temperature
0 Energy glass
doors available

**Led pre-wired or
led on board**

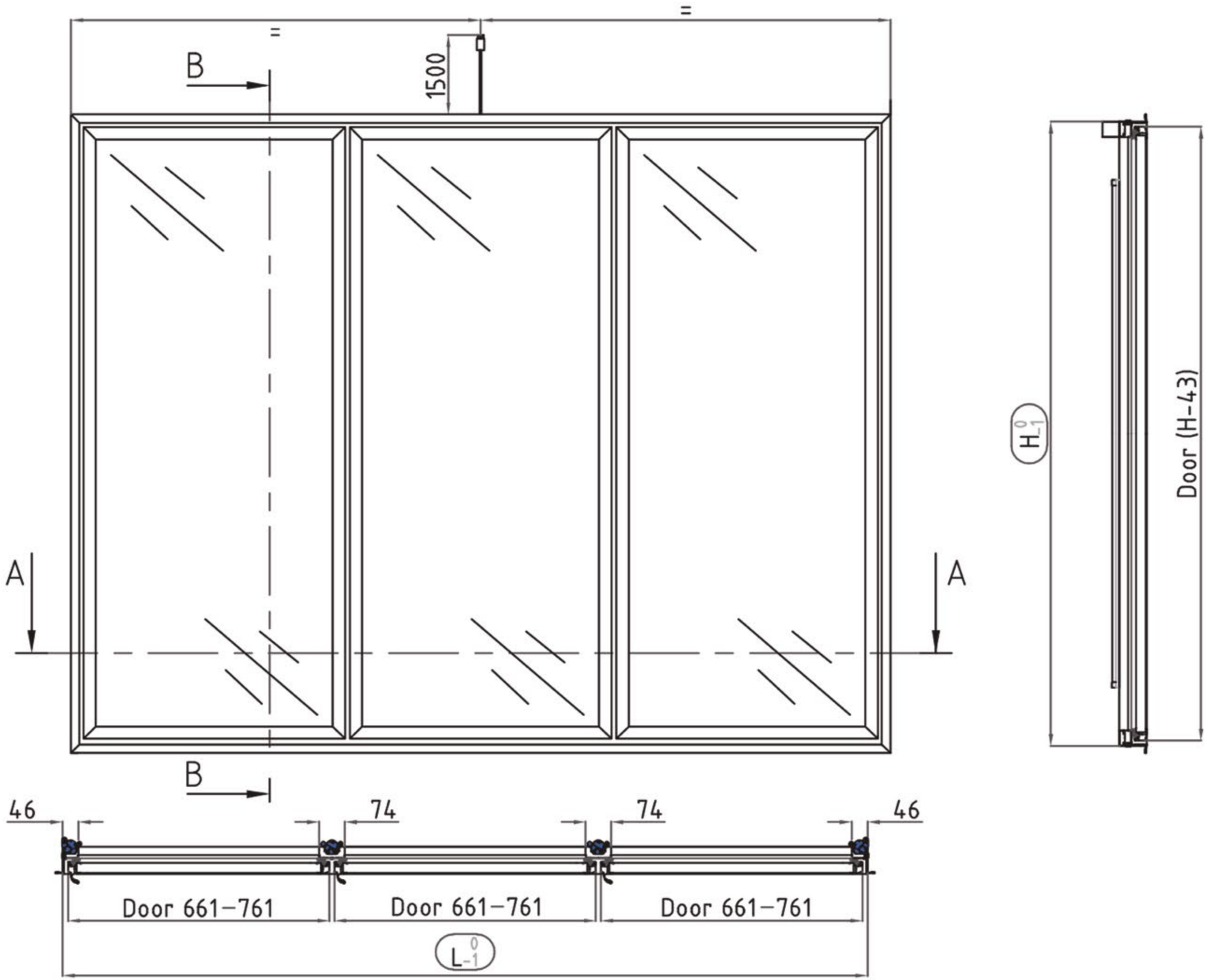
Any powering
voltage
predisposition
on demand





GLASS DOOR LT DATA SHEET

GO TO PAG.2



ALUMINIUM FRAMED GLASS DOOR

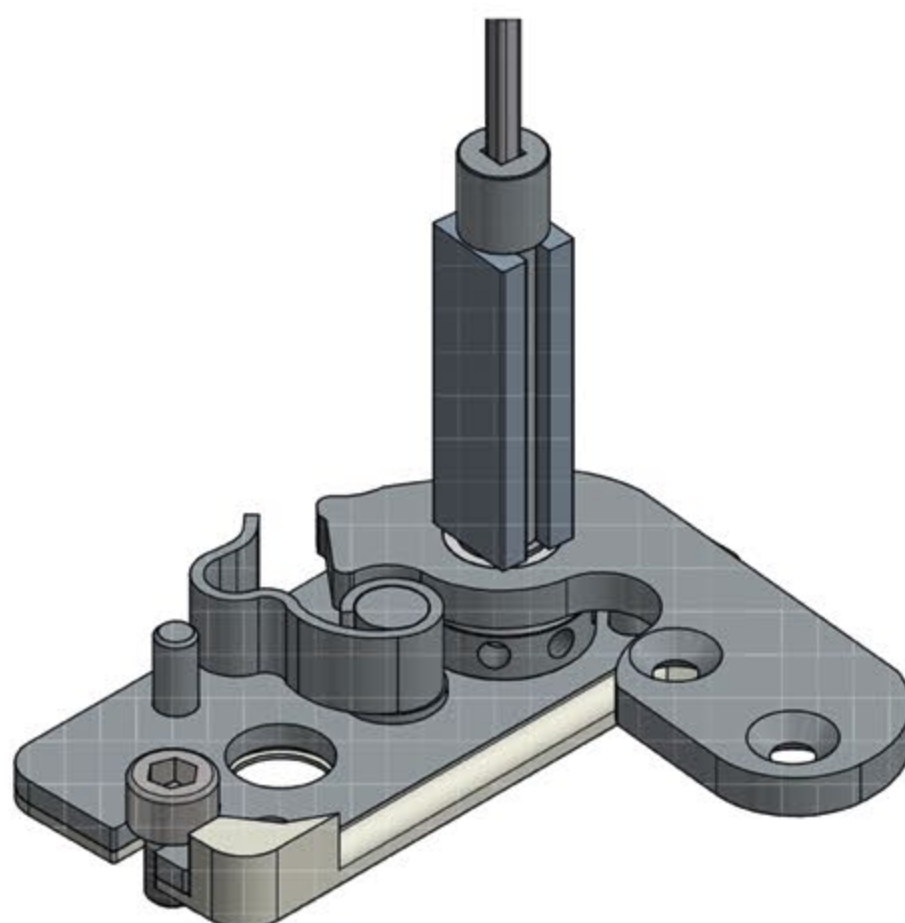
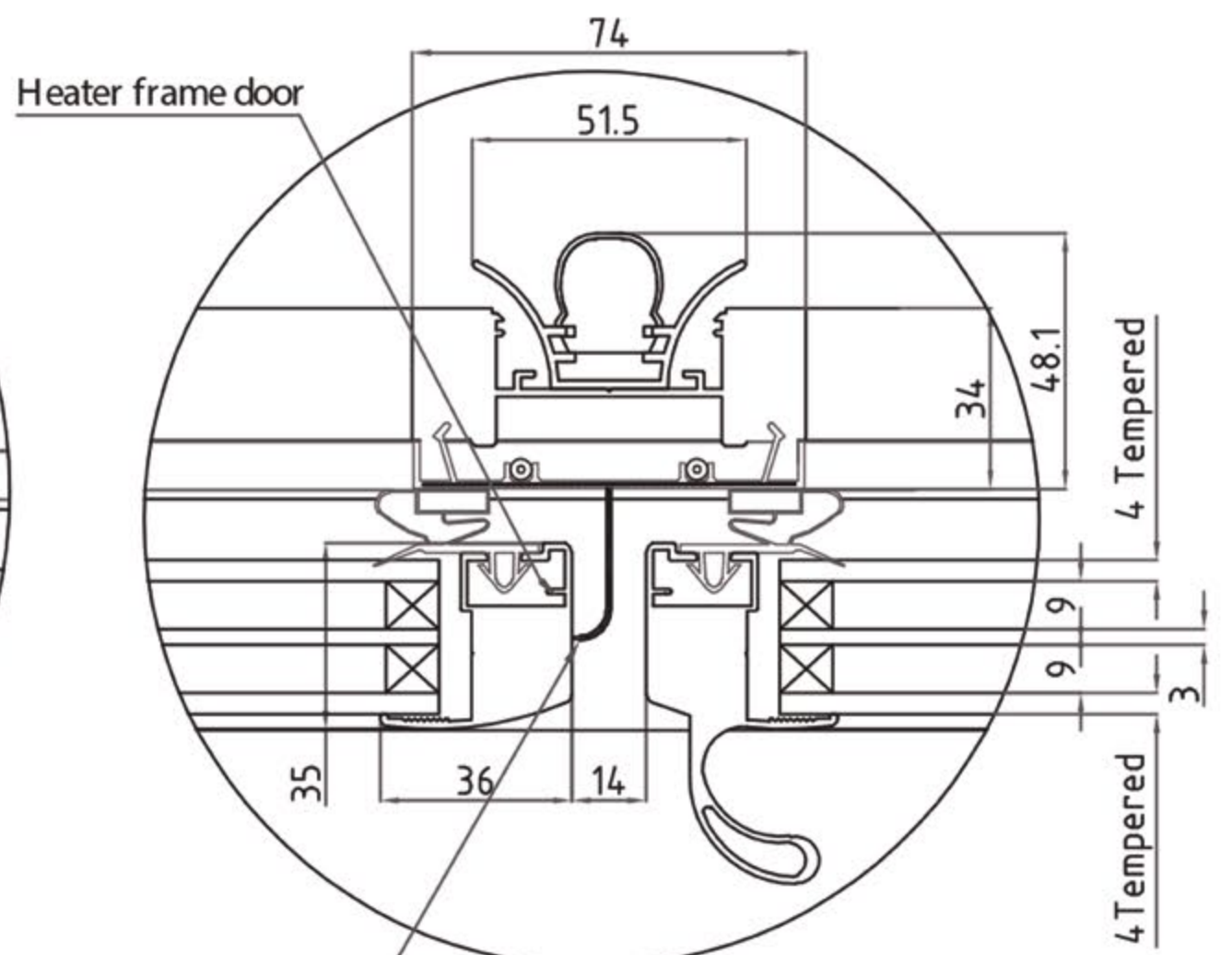
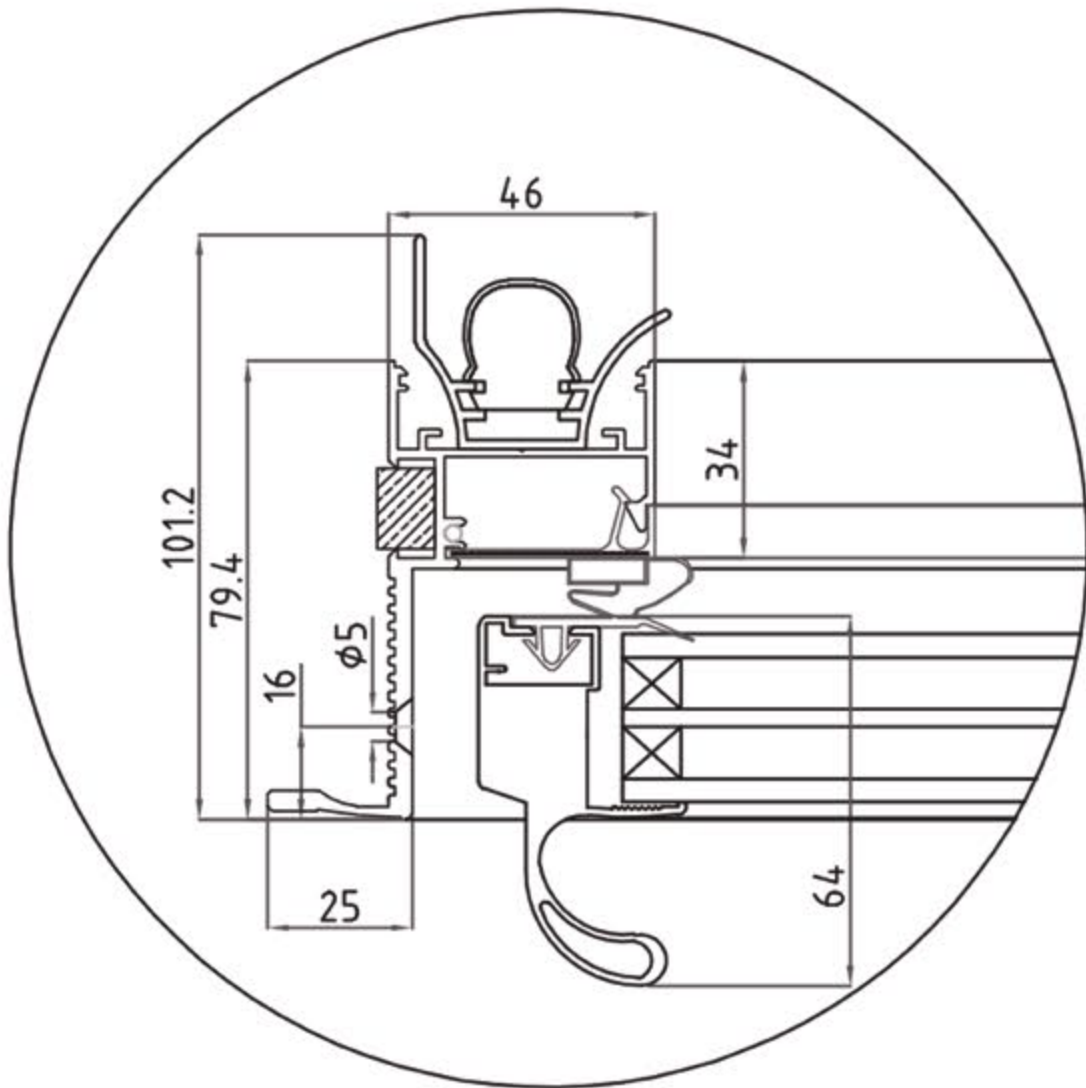
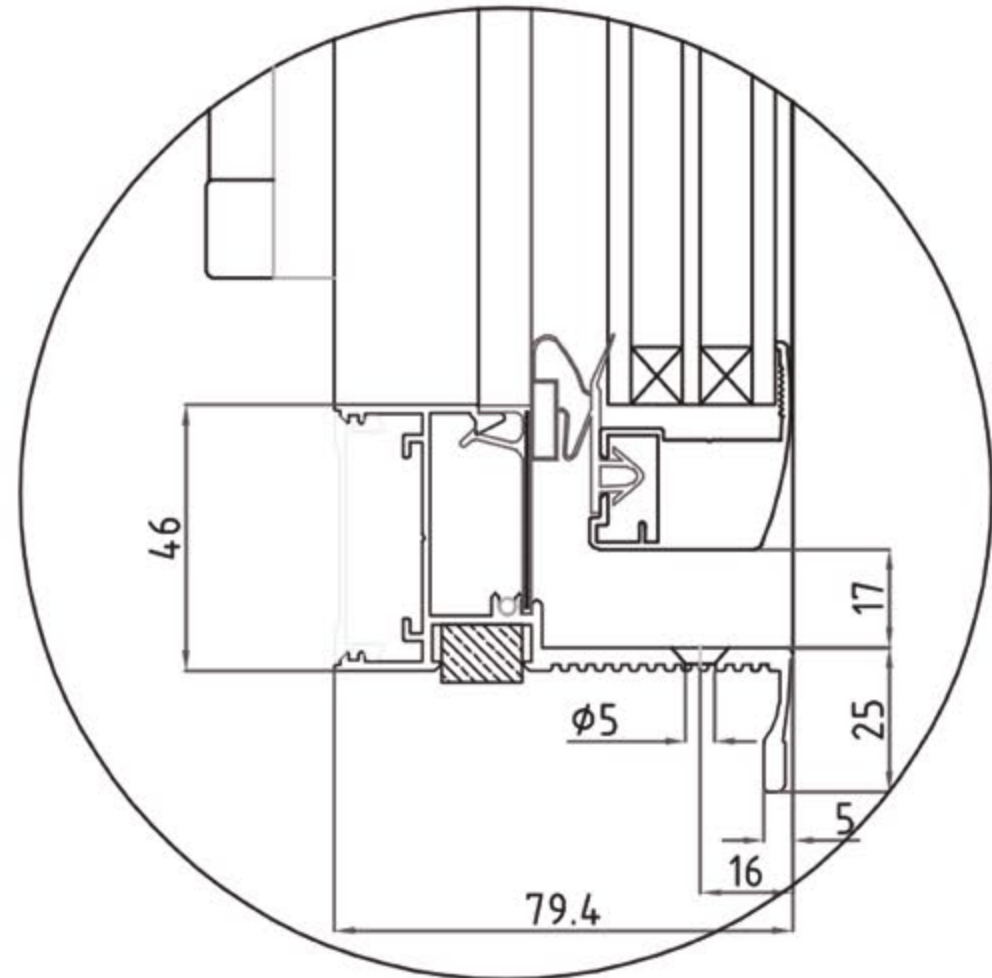
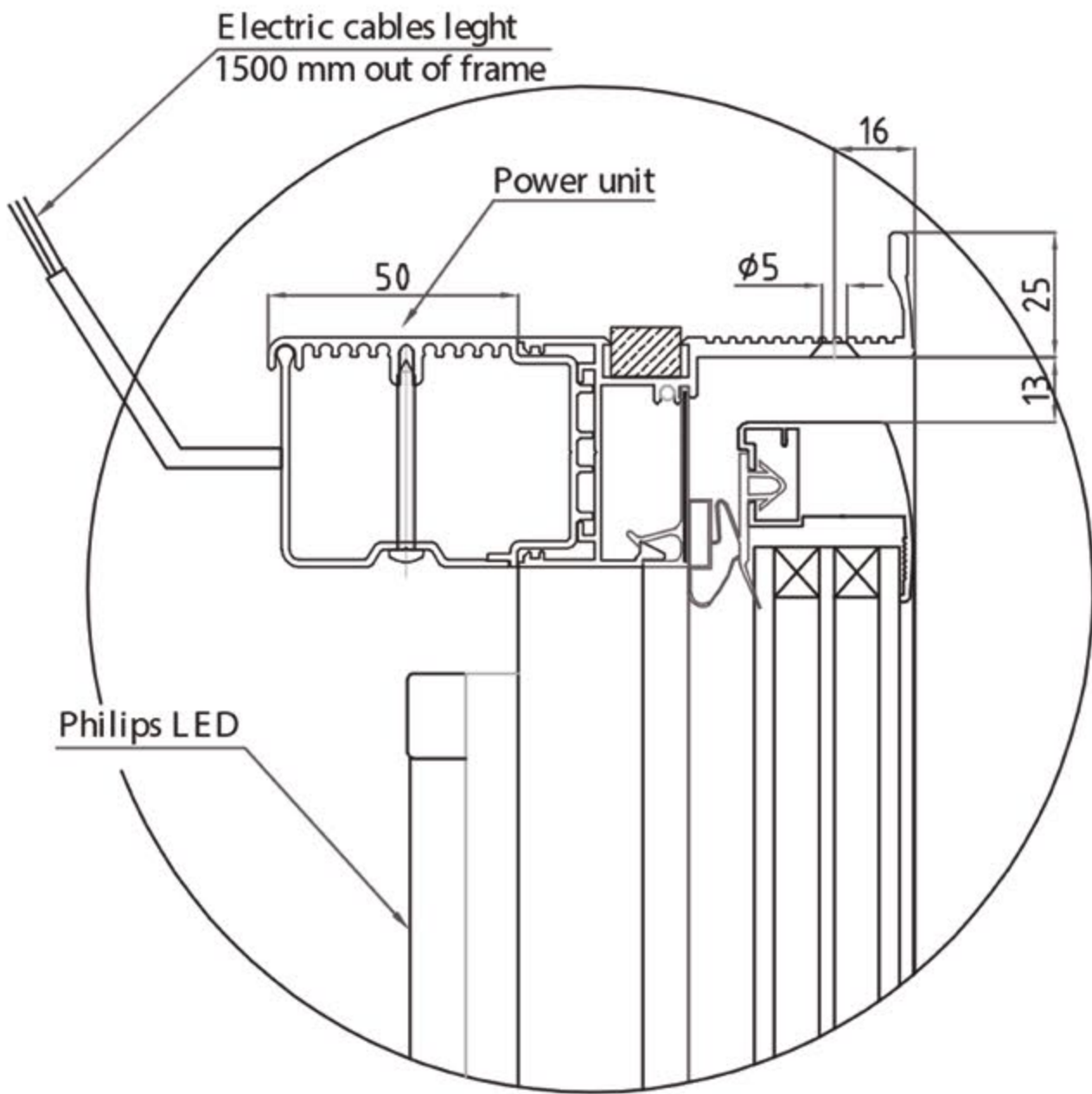
- Exclusive design and full height comfortable grip handle
- Left to right hand and vice versa reversible door
- Swing door made of triple security glass layers according to UNI 12150 standard
- Glass standard heating: 220V 100W/SQM (any other voltage and wattage available on demand)
- Aluminium frame standard heating: 220V 7.5W/MTL (any other voltage and wattage available on demand)
- Adjustable self-closing action by torsion bar
- Manual open wide door lock

STANDARD HEATING MASTER FRAME

- Silver satin aluminum insulated by Ral 9005 Pvc covers
- Any frame is adapted to receive aluminum framed glass doors by TGD
- Any master frame voltage available on demand (standard 220V)
- Standard frame prewired. Led application on demand
- Standard configuration led prewiring. Led assembly on demand



GLASS DOOR LT DATA SHEET



SELF CLOSING ACTION BY TORSION BAR



MAIN MENU



NT WALK-IN GLASS DOOR SYSTEM

Positive temperature application



The most diffused international standard



Superior Reliability: thousands products operating in the market



Tropical version available

**MORE
INFORMATION**

**TECHNICAL
DATA SHEET**



MAIN MENU



NT WALK-IN GLASS DOOR SYSTEM

Positive temperature application

The standard range of inserts for cold rooms, typical of the convenience store and petrol station distributors.

A huge range of accessories for those wanting to take the opportunity to exploit a small space for storing goods and their retail sale at the same time.

Low temperature
0 Energy glass
doors available

**Led pre-wired or
led on board**

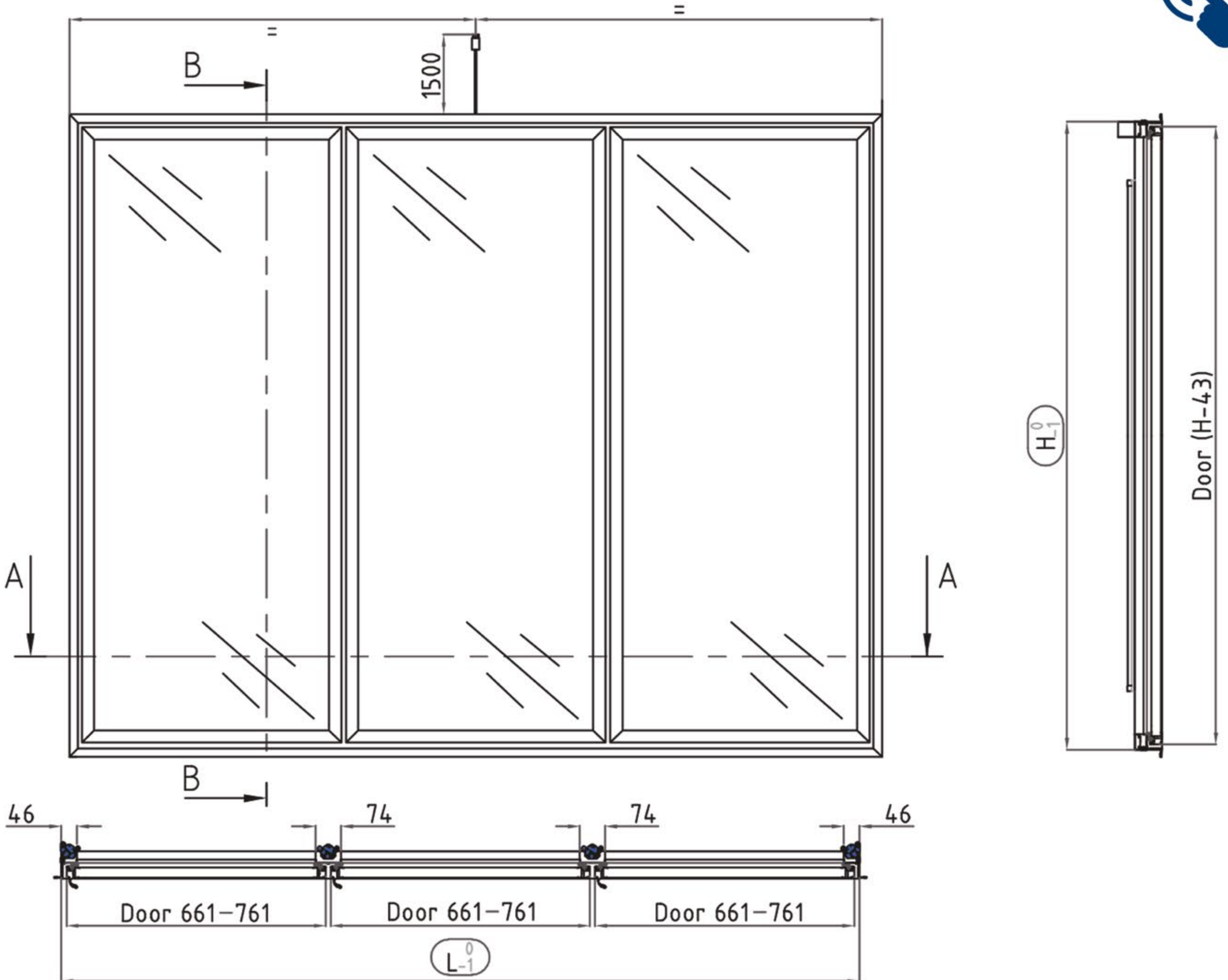
Any powering
voltage
predisposition
on demand





GLASS DOOR NT DATA SHEET

[GO TO PAG.2](#)



ALUMINIUM FRAMED GLASS DOOR

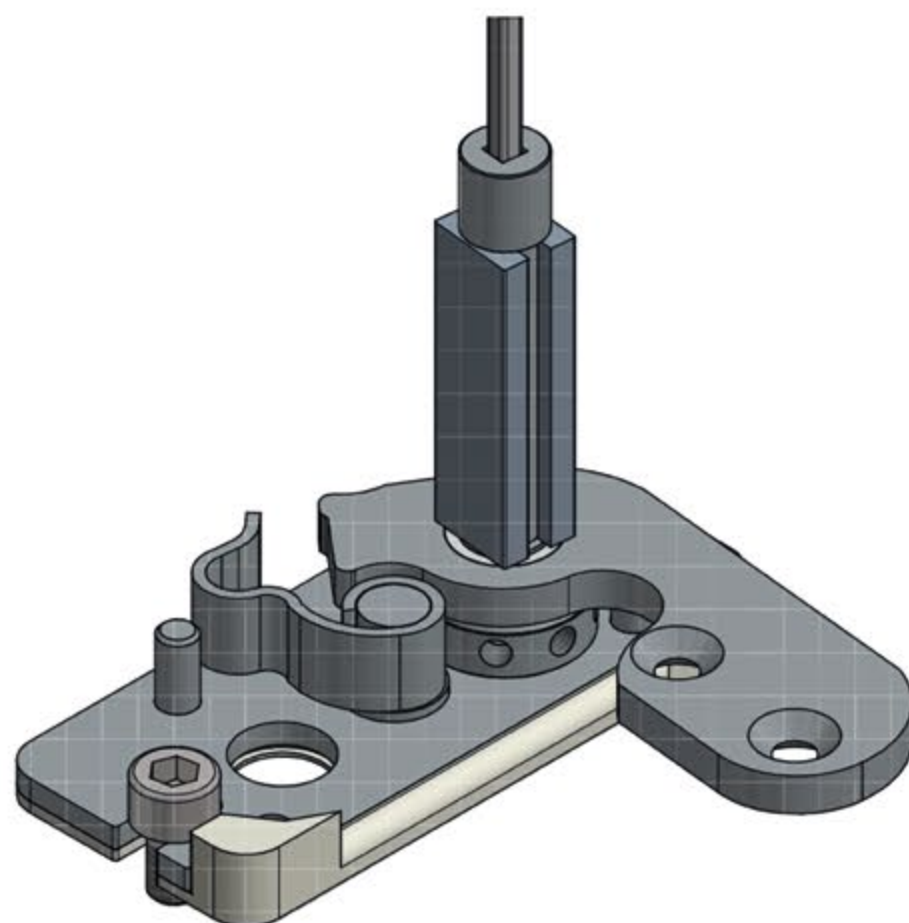
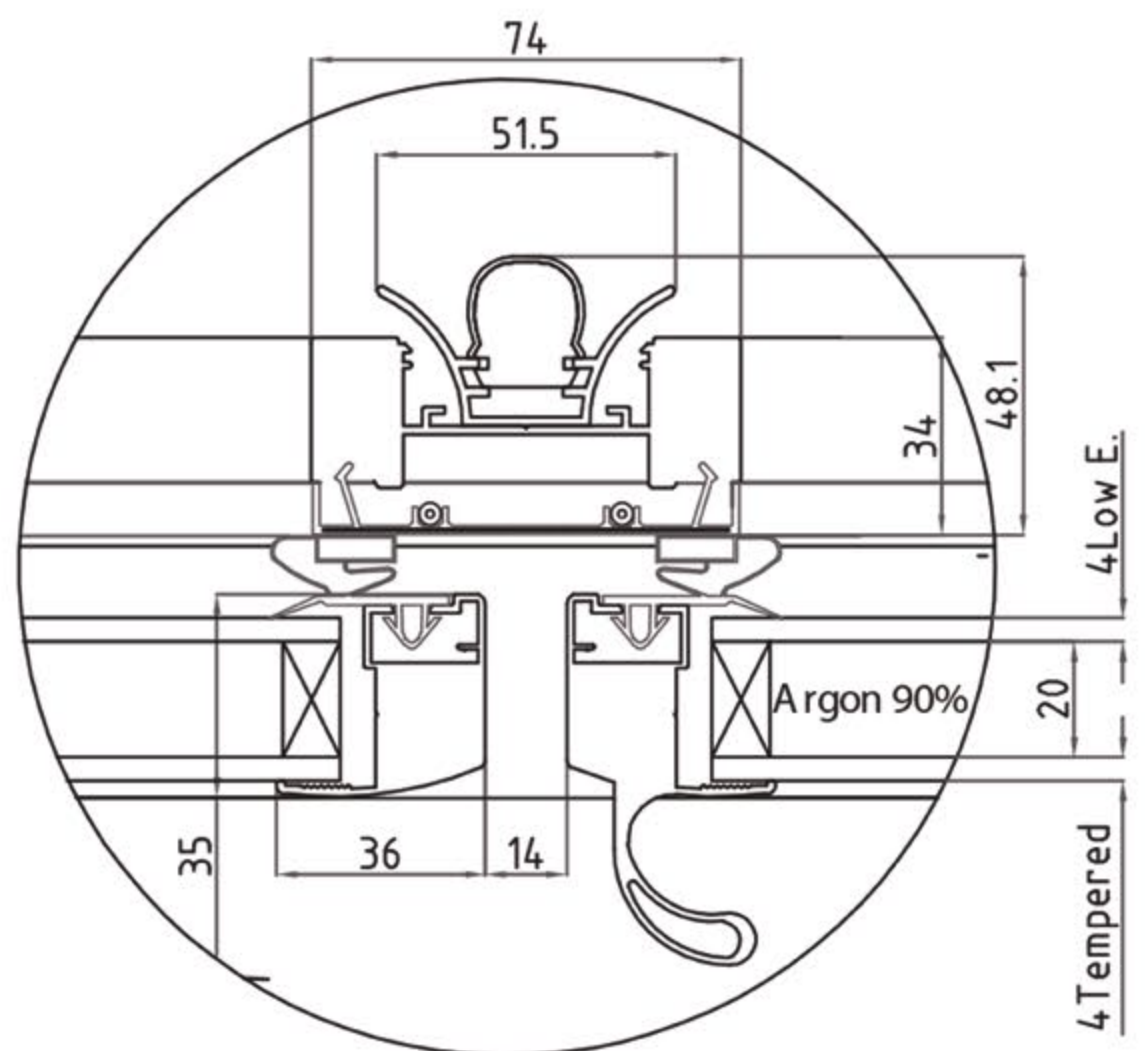
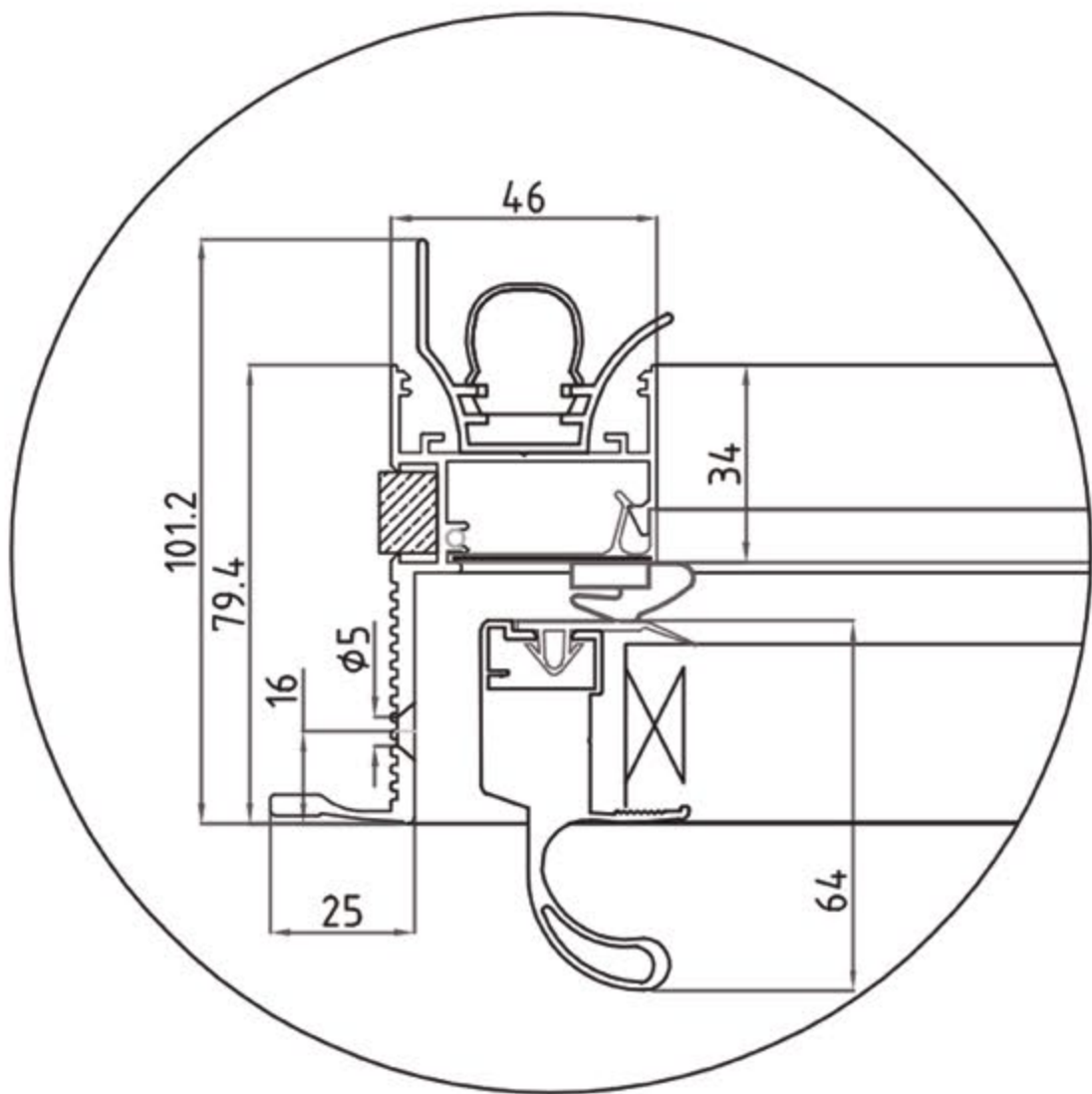
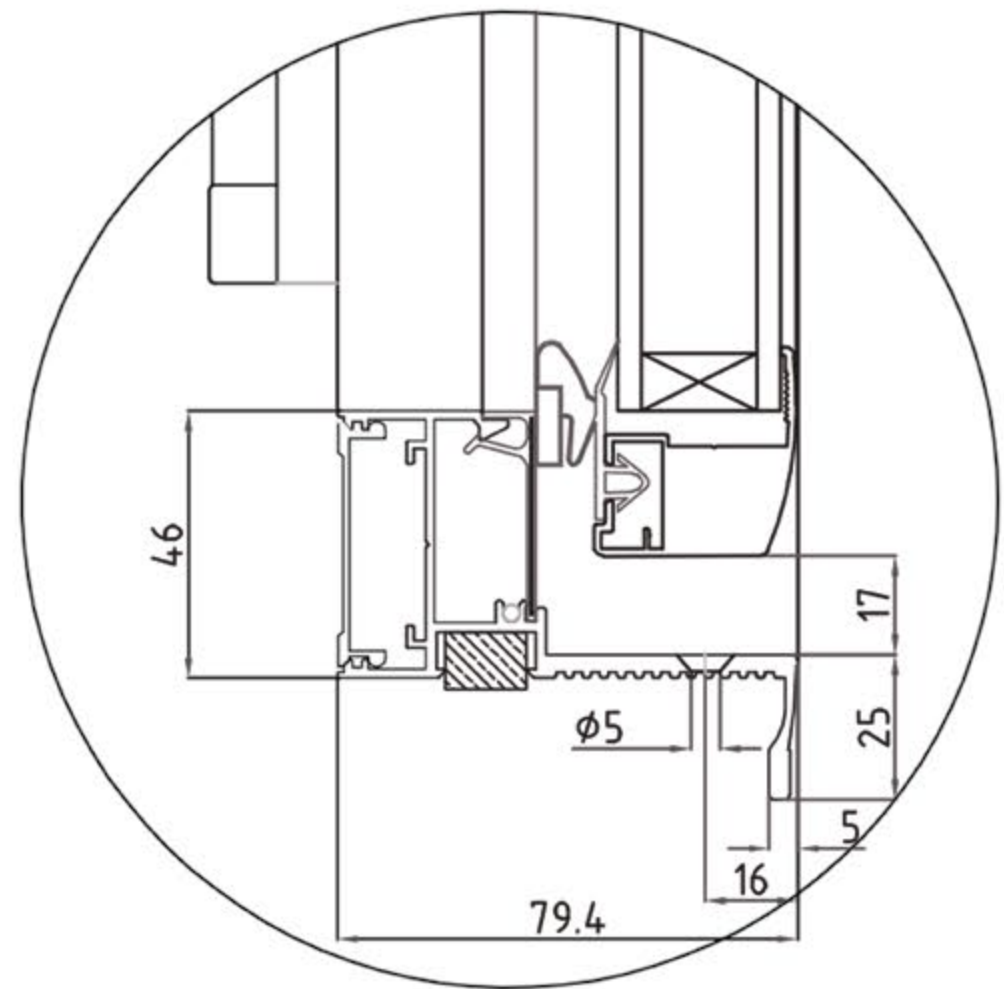
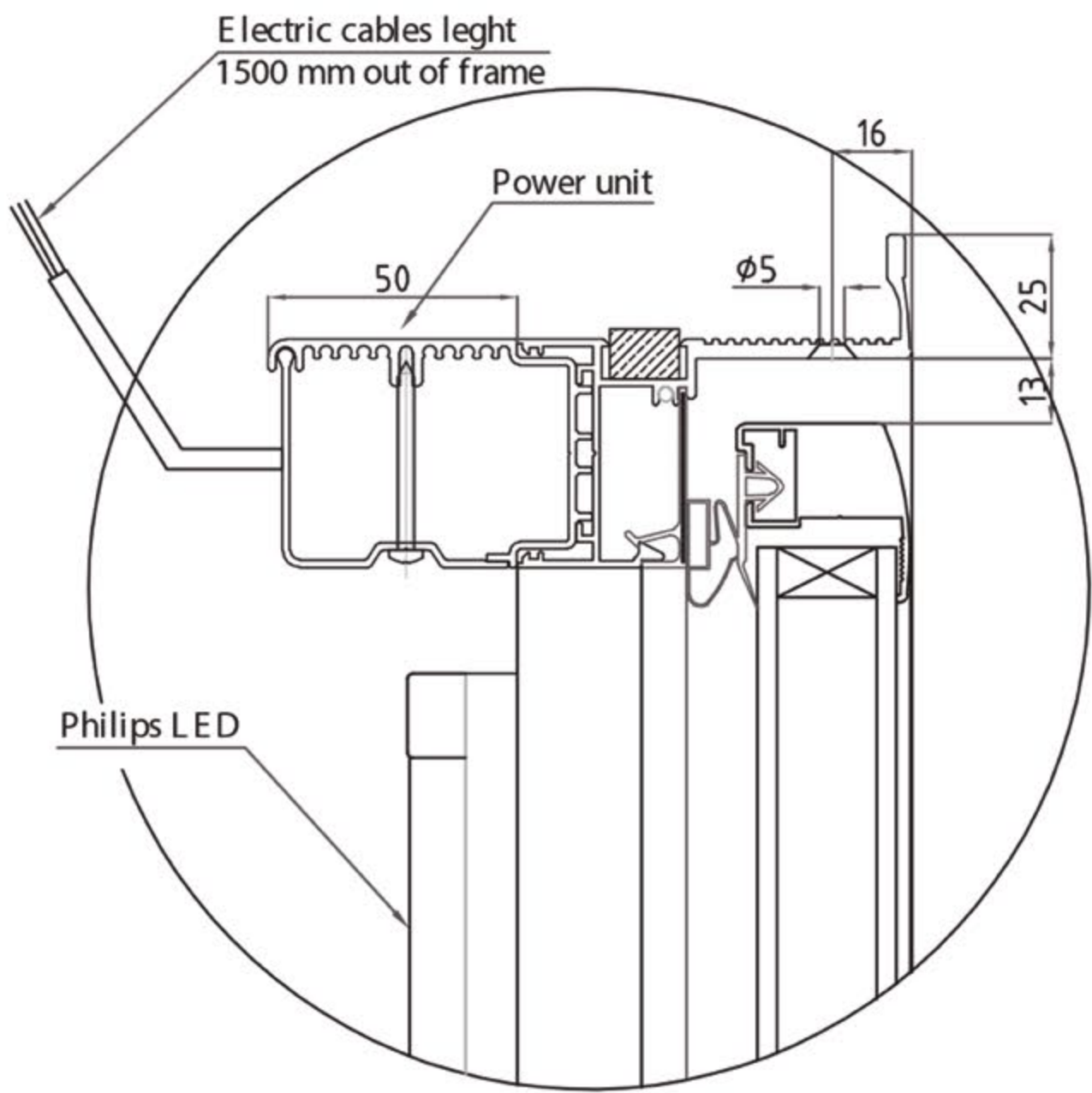
- Exclusive design and full height comfortable grip handle
- Left to right hand and vice versa reversible door
- Swing door made of double security glass layers according to UNI 12150 standard
- Adjustable self-closing action by torsion bar
- Manual open wide door lock

STANDARD HEATING MASTER FRAME

- Silver satin aluminum insulated by Ral 9005 Pvc covers
- Any frame is adapted to receive aluminum framed glass doors by TGD
- Any master frame voltage available on demand (standard 220V)
- Standard frame prewired. Led application on demand
- Standard configuration led prewiring. Led assembly on demand



GLASS DOOR NT DATA SHEET



SELF CLOSING ACTION BY TORSION BAR



MAIN MENU



ROLL-IN GLASS DOOR SYSTEM

Maxi wide door



Glazed door system without threshold



Ideal solution for trolley pass through



Oversized door available

**MORE
INFORMATION**

**TECHNICAL
DATA SHEET**



MAIN MENU



ROLL-IN GLASS DOOR SYSTEM

Maxi wide door

The standard range of inserts for cold rooms, typical of the convenience store and petrol station distributors.

A huge range of accessories for those wanting to take the opportunity to exploit a small space for storing goods and their retail sale at the same time.

Easy pass through



Led pre-wired or led on board



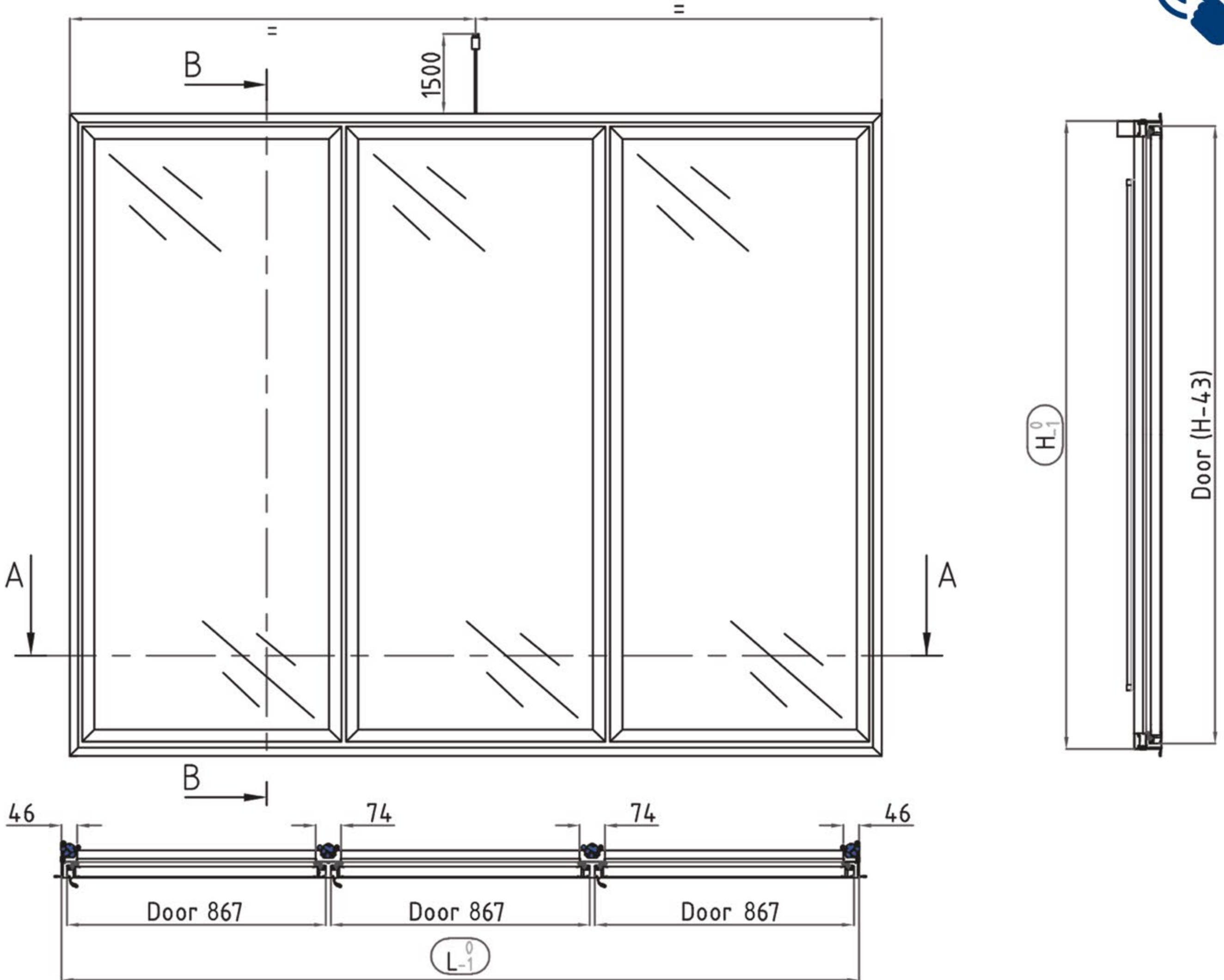
1900 and 2015mm tall sizes





ROLL-IN GLASS DOOR DATA SHEET

[GO TO PAG.2](#)



ALUMINIUM FRAMED GLASS DOOR

Exclusive design and full height comfortable grip handle

Left to right hand and vice versa reversible door

Swing door made of double security glass layers according to UNI 12150 standard

Adjustable self-closing action by torsion bar

Manual open wide door lock

STANDARD HEATING MASTER FRAME

Silver satin aluminum insulated by Ral 9005 Pvc covers

Any frame is adapted to receive aluminum framed glass doors by TGD

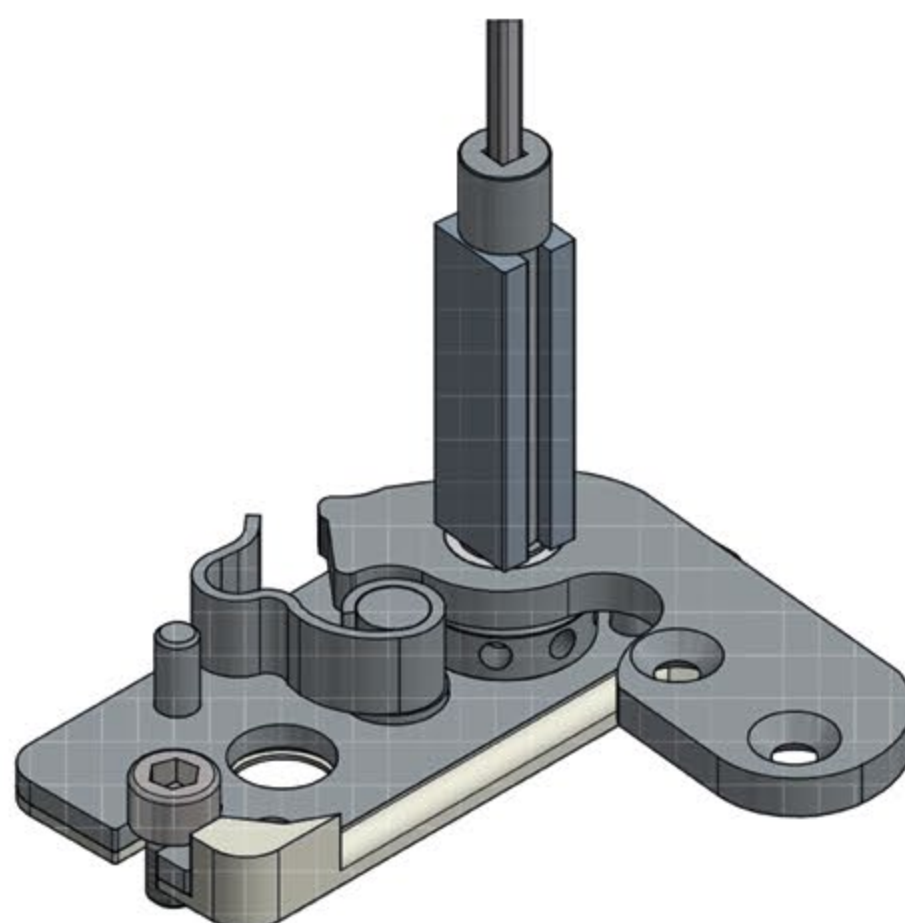
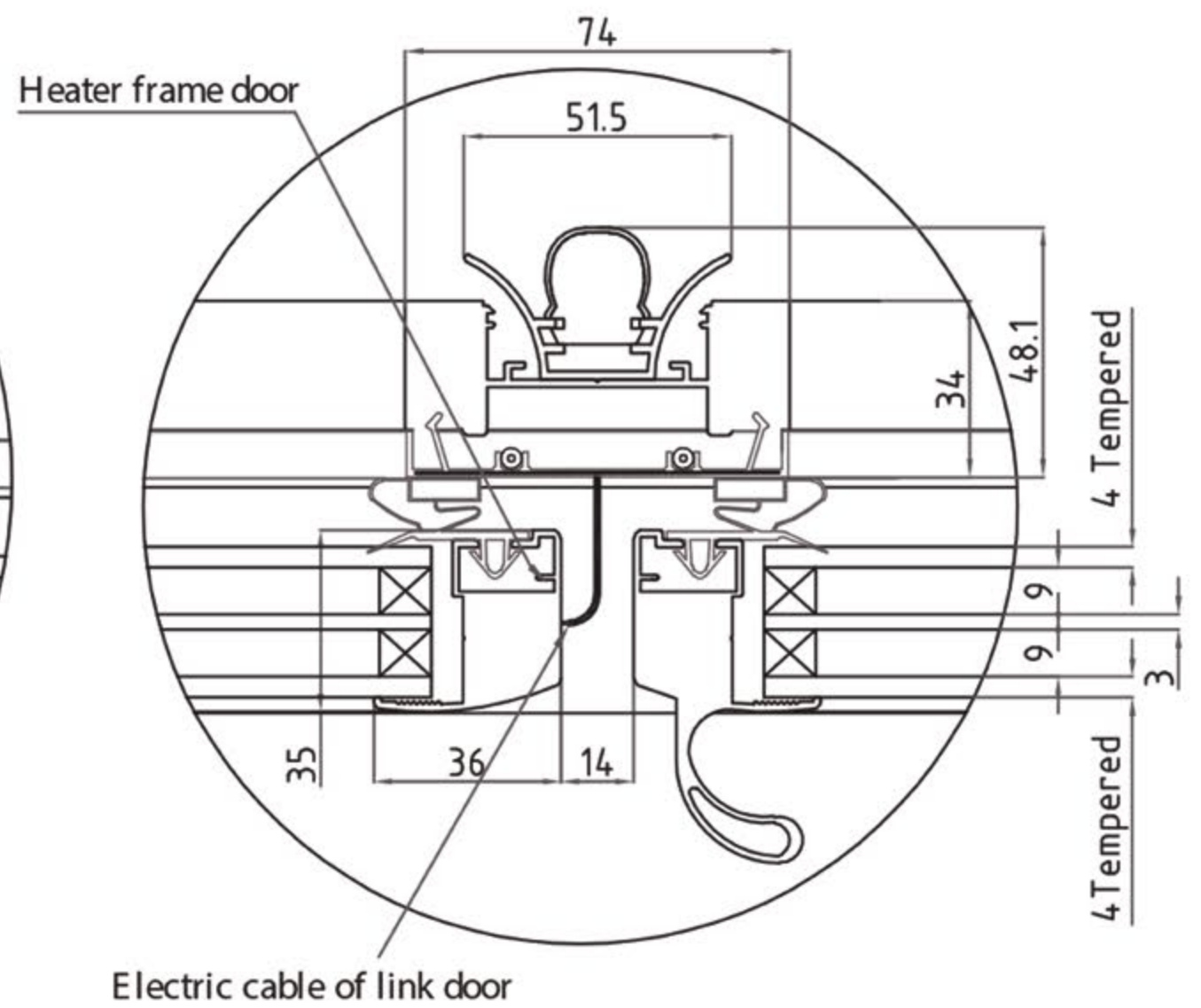
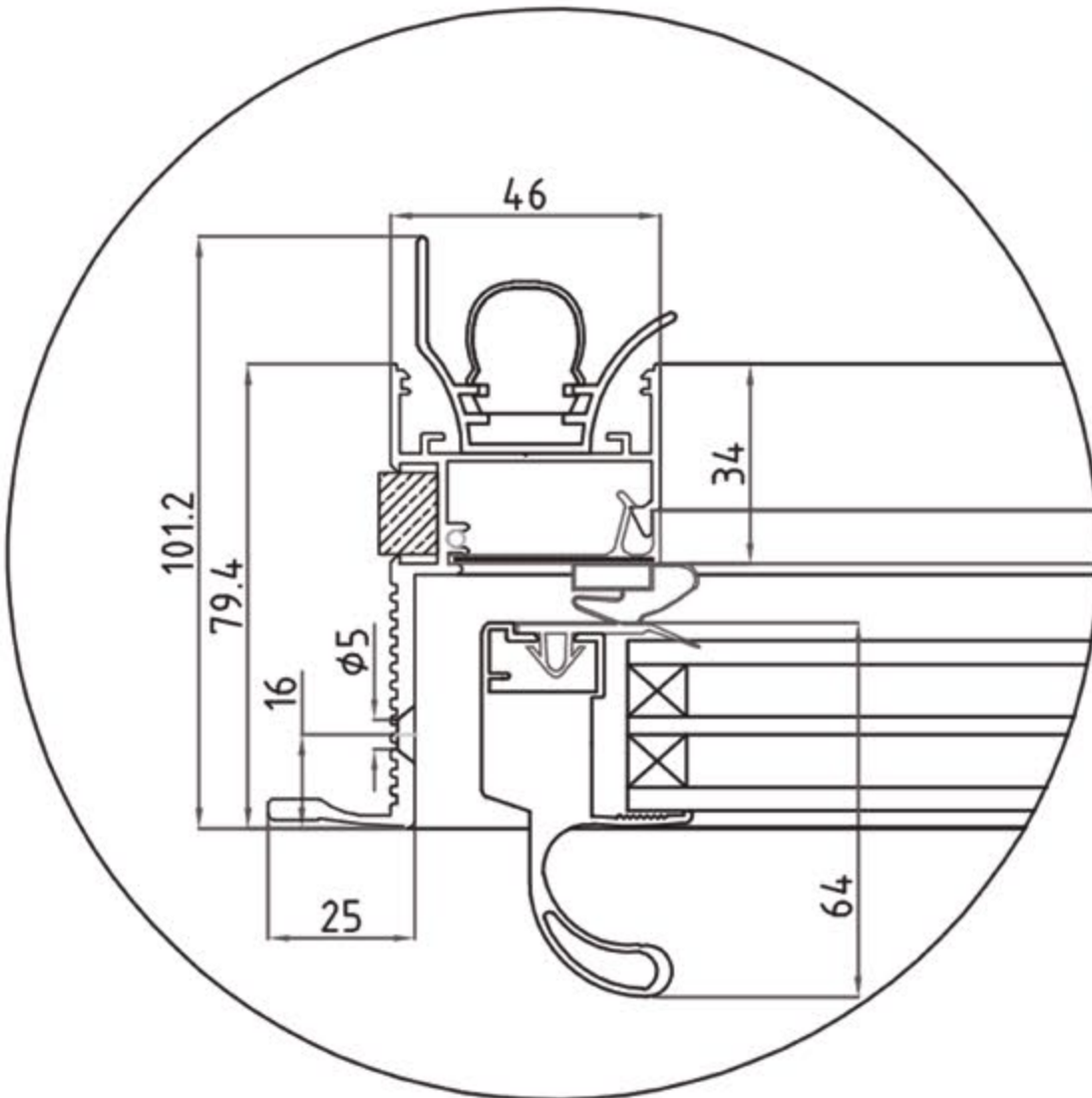
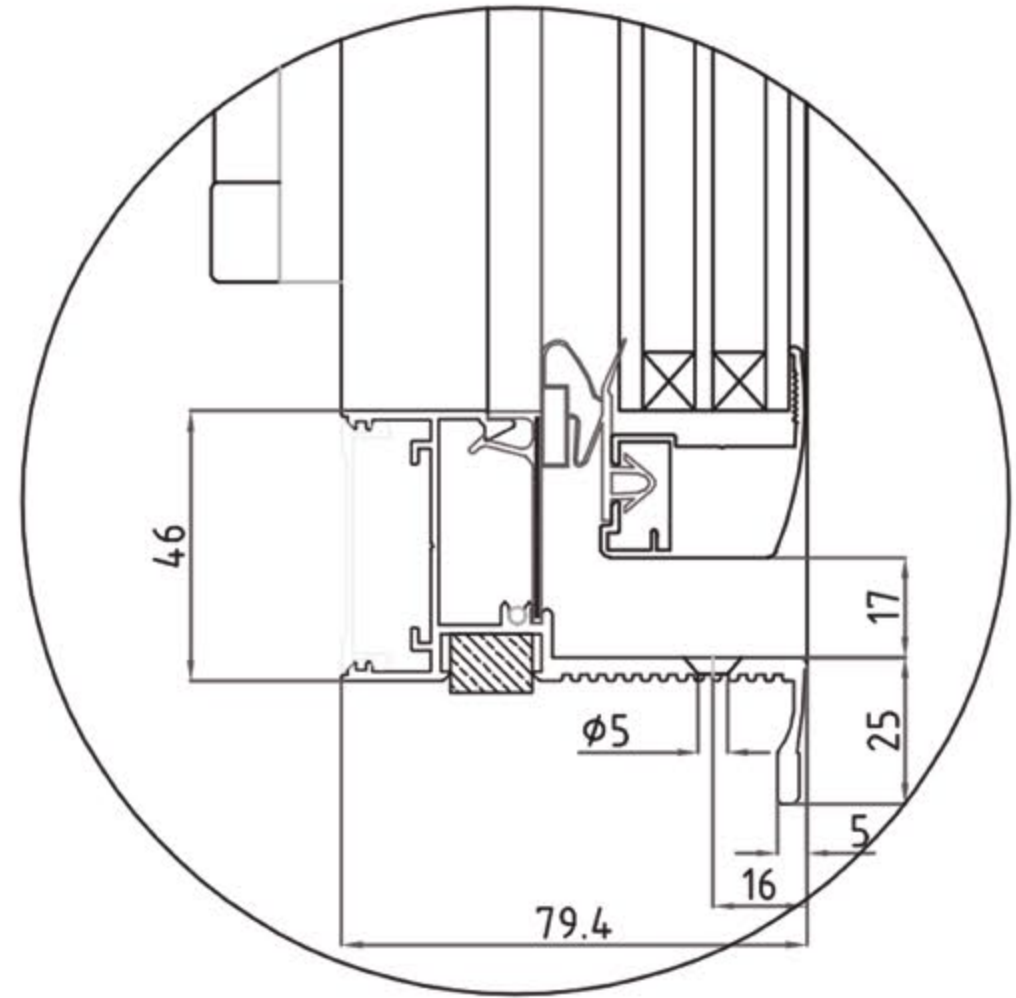
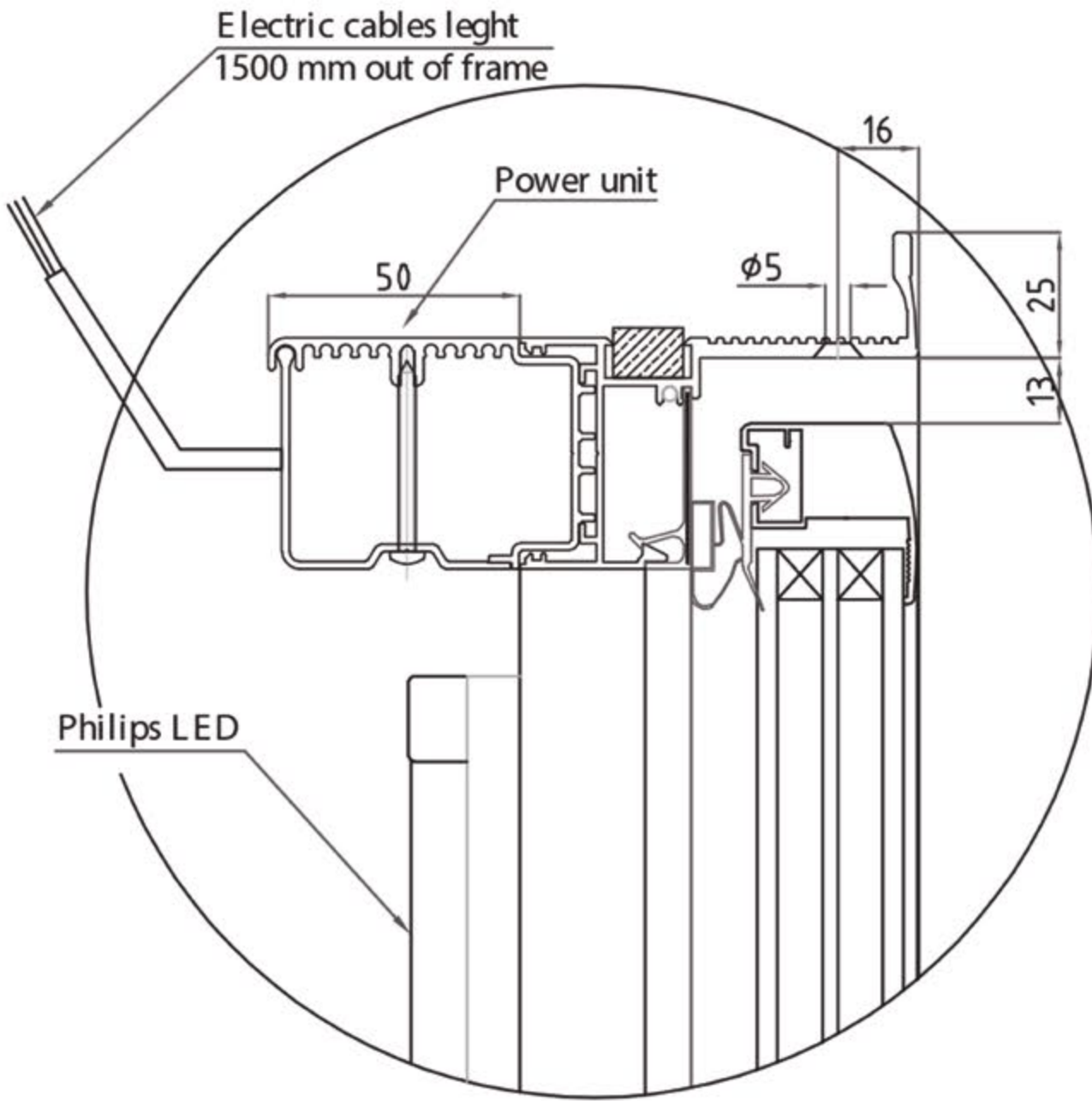
Any master frame voltage available on demand (standard 220V)

Standard frame prewired. Led application on demand

Standard configuration led prewiring. Led assembly on demand



ROLL-IN GLASS DOOR DATA SHEET



SELF CLOSING ACTION BY TORSION BAR



MAIN MENU



DIGITAL SIGNAGE SOLUTIONS



iMAGE
Smart Mirror Display



GATEWAY
Interactive mirrors for lifts



Magic Vision by TGD
Transparent Interactive door for refrigerator





MAIN MENU



iMAGE

iMage is a digitally animated mirror, designed for all public spaces where you want to effectively attract attention to various kinds of communication. Its natural collocation is in the rooms of the most sophisticated hotels, thanks to its ample possibilities for personalization. **A powerful tool for promotion and information.**



Smart **mirror television**
for hotel



Luxury yacht application



SPA, wellness
& training applications



MAIN MENU



iMAGE



Smart **mirror television** for hotel

Its natural location is in the most refined hotel rooms, thanks to the wide range of possible customizations.





MAIN MENU



iMAGE



Luxury yacht application





MAIN MENU



iMAGE



SPA, wellness
& training applications

Modular project for meditation. User can be driven throughout the meditation by tools integrated with the project (dedicated APP customized by the host: hotel, gym, spa, etc.) otherwise user can connect his own smartphone in order to enjoy private contents.





MAIN MENU



GATEWAY

The IoT Mirror for Lift Cars

Gateway (patent pending) applies IoT technology to lift car mirrors, transforming them into new, powerful, revolutionary objects.

The TGD/LU-VE technology changes a normal lift mirror into a completely new multimedial tool, connected to the Internet. Unlike conventional systems, Gateway offers **new functions never before seen in a lift car.**



A new **revolutionary multimedia tool**



Communication,
digital signage & advertising



Emergency & maintenance
support mode



MAIN MENU



GATEWAY

The IoT Mirror for Lift Cars



A new **revolutionary multimedia tool**

Enhances interactivity. Powerful support to predictive/programmed maintenance, displaying tech information (graphics, real time video recording, functional parameters, etc)





MAIN MENU



GATEWAY

The IoT Mirror for Lift Cars



Communication,
digital signage & advertising

The mirror transmits information, **photographs, videos, advertizing and much more**, and the contents can be changed **in real time by remote control**.





MAIN MENU



The IoT Mirror for Lift Cars



Emergency & maintenance support mode

In the event of an alarm (with the addition of a **webcam**), audio-visual contact can be established between the lift and safety/assistance staff.

Calm passengers are safe passengers.





MAIN MENU



Magic Vision by TGD[®]

Magic Vision is the glass door for commercial refrigerators and freezers. It contains within it a high-resolution **transparent video.**

It can collect in real time an enormous quantity of useful information for **marketing purposes** about the customers, their needs, their wants and their behaviour.



Video mode



Touch Display mode



Integrated mode



MAIN MENU



Magic Vision[®] by TGD



Video mode

Reproduces all types of video file in **high definition**, provided locally through commercial memory devices, or remotely via GSM and Wi-Fi.





MAIN MENU



Magic Vision[®] by TGD



Touch Display mode

“Touch Screen” mode can transform the door into an interactive digital tool which can combine promotional activities with data gathering. A great direct marketing opportunity with the added value of data collection.





MAIN MENU

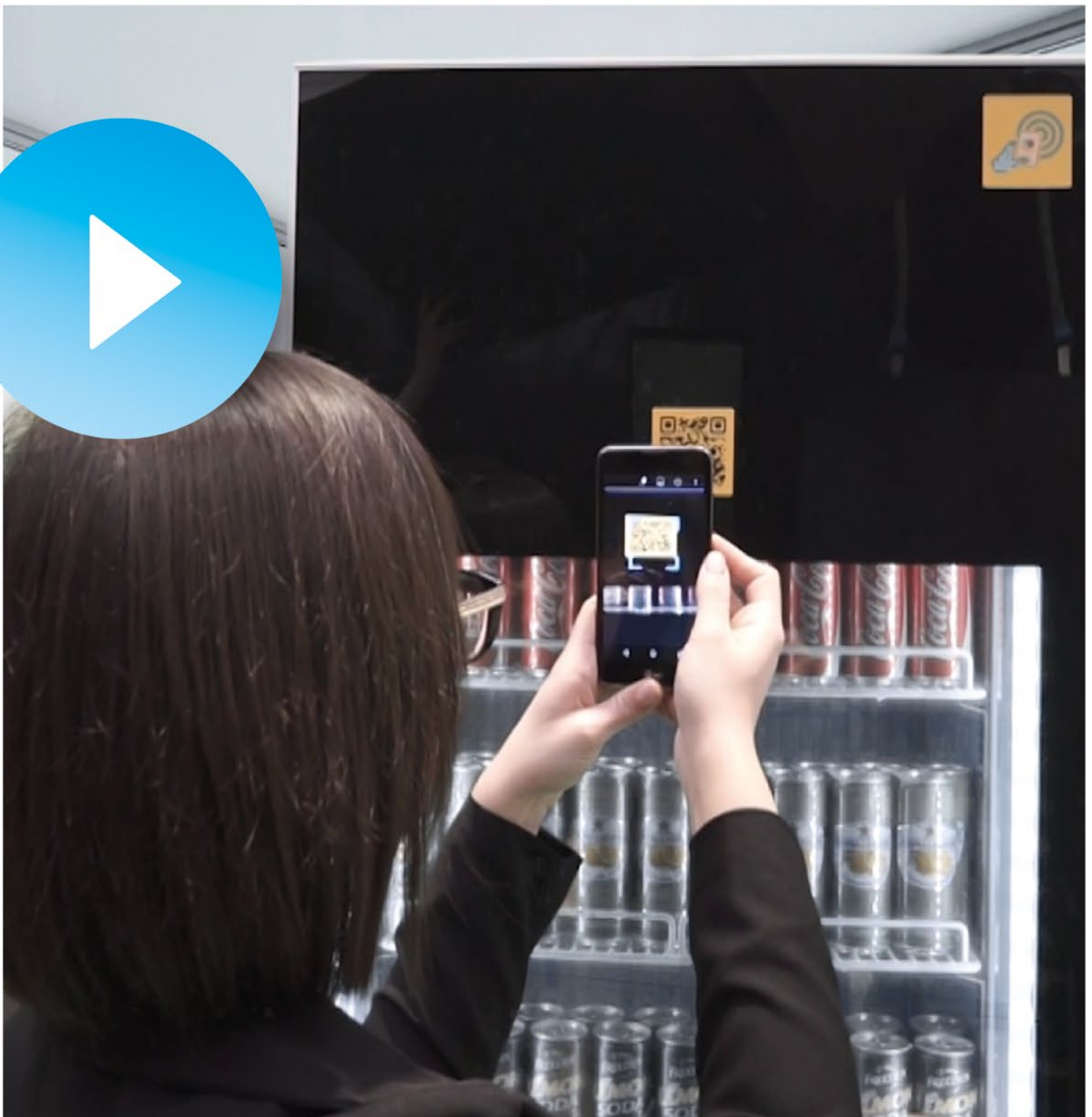


Magic Vision[®] by TGD



Integrated mode

The door can integrate with an Android PC to manage any type of personalized digital tool, such as sensors, cameras, lights and much more.



OPTIONS & ACCESSORIES



HANDLE



HINGE



GLASS



LIGHTS



HANDLES



MAX

Material : aluminum

Standard color : Silver satin anodised aluminum

Color : on demand



POP

Material : aluminum

Standard color : Silver satin anodised aluminum

Color : on demand



ARC

Material : plastic

Standard color : Ral 7035

Color : on demand



EKO

Material : plastic

Standard color : Ral 7035

Color : on demand



FLAP

Material : aluminum

Standard color : Silver satin anodised aluminum

Color : on demand



MAIN MENU



HINGE



SP25

Soft closing device for doors up to 25Kg.

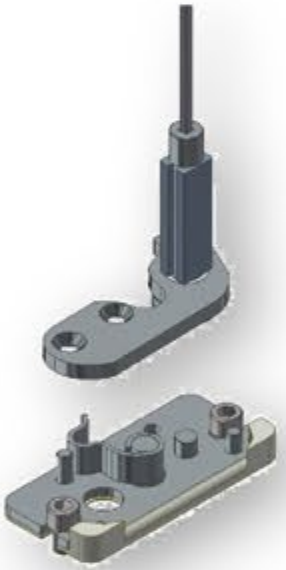
Granted cycles : 500.000



SP45

Soft closing device for doors up to 45Kg.

Granted cycles : 500.000



T. BAR

Torsion bar hinge

Granted cycles : 500.000



G. TORQUE

Gravity self closing device

Granted cycles : 300.000



MAIN MENU



GLASS



NT doors



LT heating doors



LT 0 Energy doors



MAIN MENU



NT DOORS



Application temperature range

from 5° C up to 30° C

Standard door comply with

Class 3 UNI23953

Wide range of glass units available

from 24 to 35mm

Low-e glass available on demand

from UG 1.9 down to 1.1

Coloured glass available on demand

UV ray filtering glass available on demand



MAIN MENU



LT HEATING DOORS



Application temperature range

from -30°C up to 5°C

Standard door comply with

Class 3 UNI23953

Wide range of glass units available

from 29 to 35mm

Low-e glass available on demand

from UG 1.9 down to 1.1

Standard heating 100W sqm on the glass and 7W lmt all along the door's profile

Possibility to increase the heating power to comply with the worst operating conditions

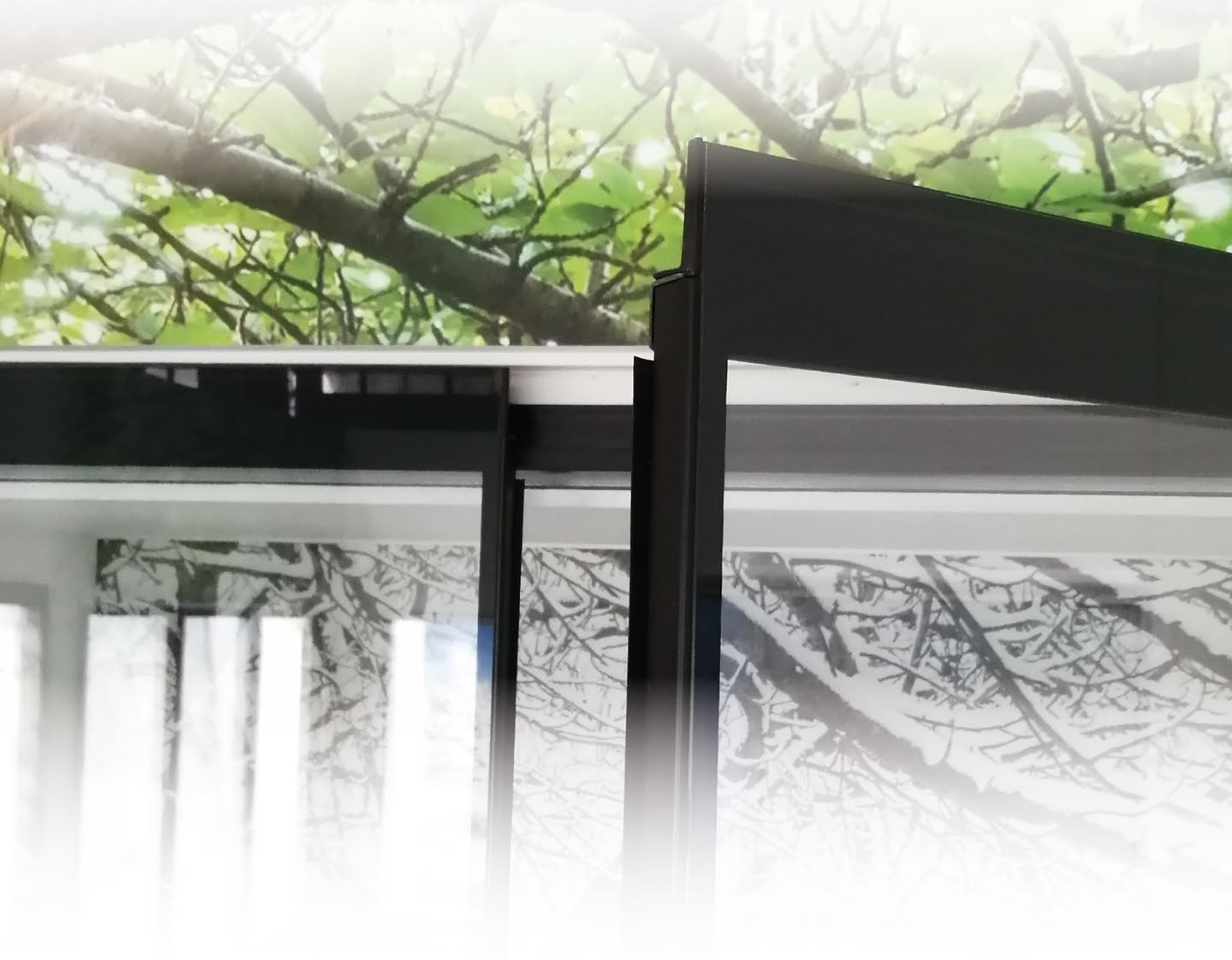
Possibility to tune the powering voltage on demand



MAIN MENU



LT 0 ENERGY DOORS



Application temperature range

-25° C up to 5

Standard door comply with

Class3 UNI23953

Wide range of glass units available

from 29 to 35mm

No electrical heating

Wide range of Anti-Fog treatments available for the internal side of the door



MAIN MENU



LIGHTS



BLS1

Solution for inside products lighting by led included in the glass unit



BLS2

Solution for inside products lighting by led included in the glass door frame



LAS

Led solution for any door included logo lighting



MAIN MENU



Based close to Milan (Italy) TGD produces glass and glass door components for the commercial, professional, industrial and scientific refrigeration market. It was founded in 1999 and it became an active part of the LU-VE Group in 2014

“ Our aim is to offer our customers highest efficiency solutions to reduce the energy consumption of their products, increasing their commercial value.

This is how we comply with our mission to contribute in making a better world”

TGD has obtained 6 patents during its lifetime: a patent is the highest prize for any research and development activity. It is proof that the target has been achieved in a more innovating, quicker and efficient way than anybody else has been able to do.

Our experience and innovating capability is dedicated to all partners, to let them take advantage of the best realisation of their projects.

Foundation	1999
LU-VE Group incorporation	2014
Employees	100
Patents	7



00.39.0382.48.27.73



info.tgd@luvegroup.com





MAIN MENU



LU-VE Group is one of the major manufacturers in the world in the heat exchanger field.

The Group (with HQ in Uboldo, Varese, Italy) consists of **16 manufacturing** facilities in **9 countries**: Italy, China, Czech Republic, India, Poland, Russia, Sweden, Finland and USA with a network of sales companies and representative offices in Europe, Asia, the Middle East, Oceania and USA.

More than **3,200** skilled employees

More than **600,000** sqm. total surface area

More than **210,700** sqm. covered area

3,200 sqm. of R&D laboratories

More than **80%** of production exported to 100 countries

Consolidated turnover **€ 420.7 million** (pro-forma 2018)

Listed on the **Milan Stock Exchange (MTA)**

