

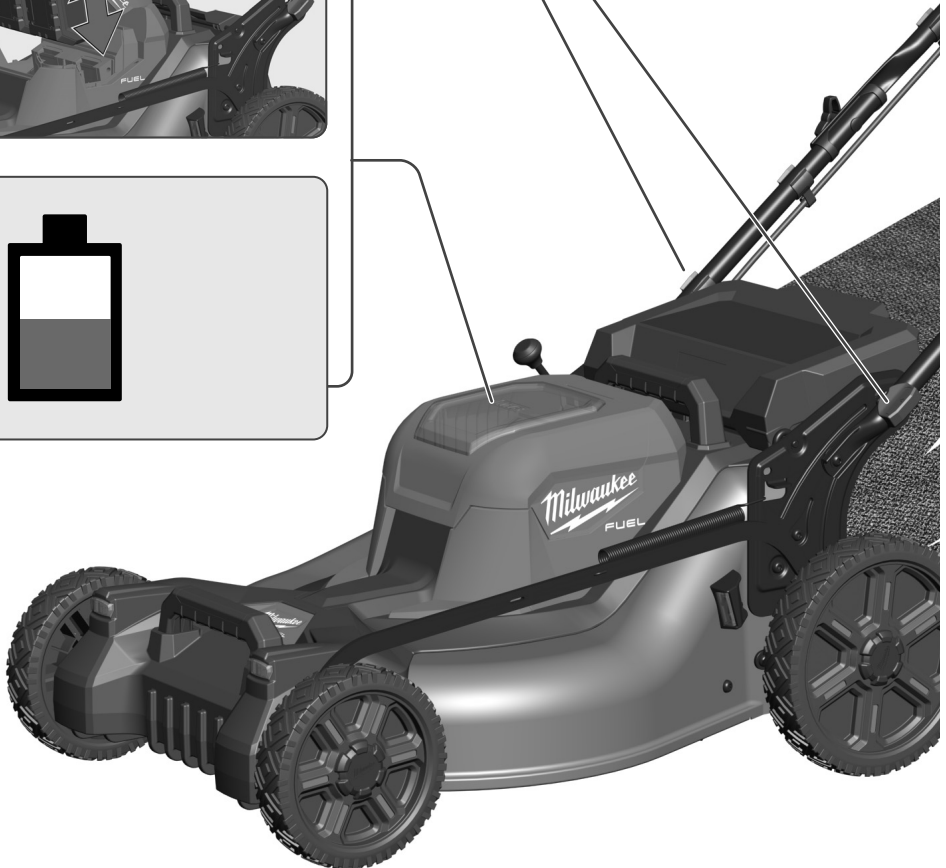
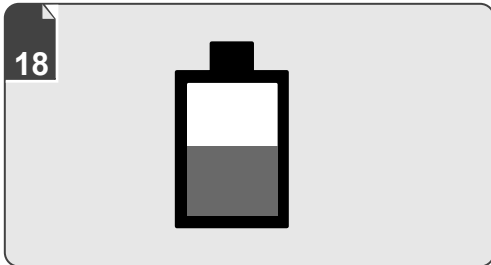
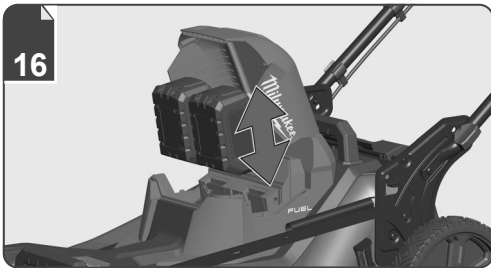
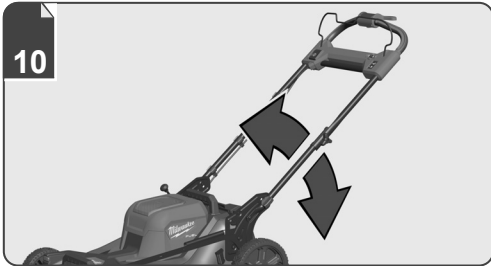
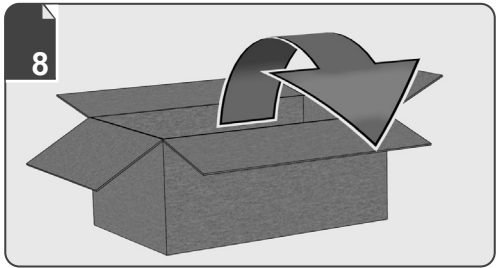
Milwaukee™

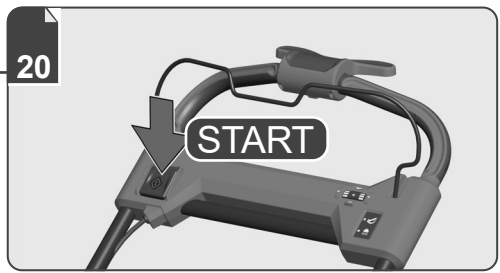
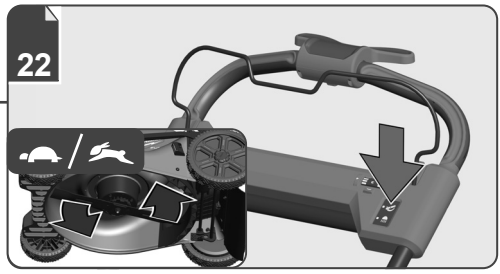
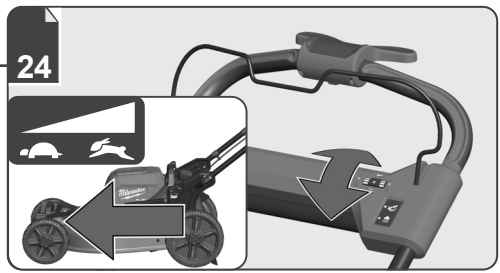
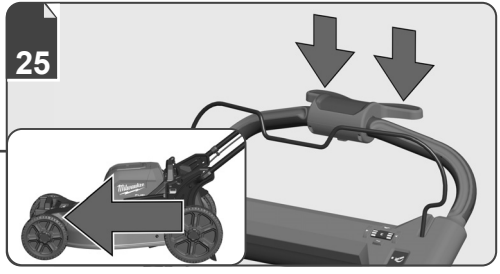
Nothing but **HEAVY DUTY.™**

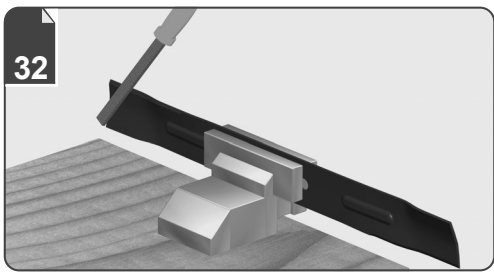
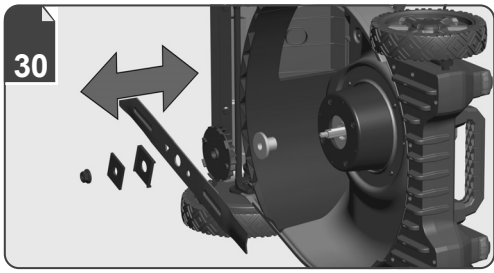
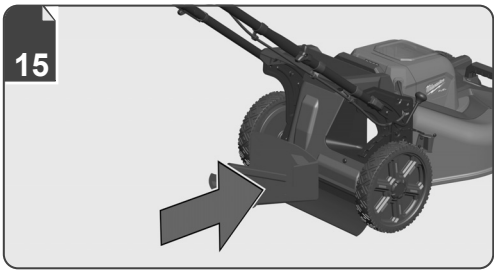
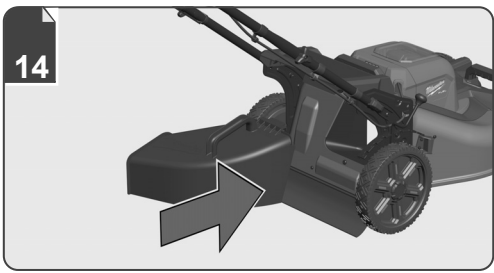
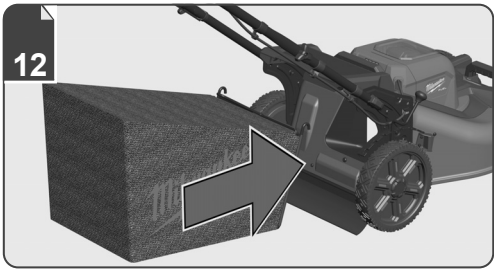


M18 F2LM53

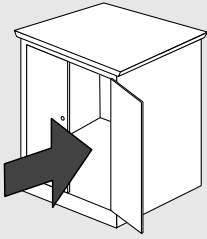
- ⓔⓃ User Manual
- Ⓩⓗ 操作指南
- Ⓩⓗ 操作指南
- Ⓚⓐ 사용시 주의사항
- Ⓣⓗ คู่มือการใช้งาน
- ⓓⓔ Buku Petunjuk Pengguna
- Ⓥⓞ Cẩm nang hướng dẫn sử dụng
- ⓙⓐ ユーザーマニュアル







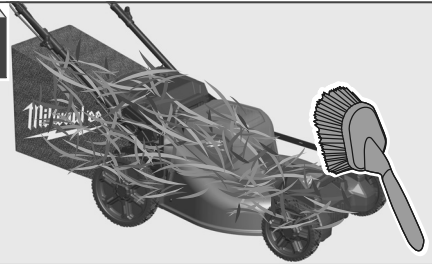
34



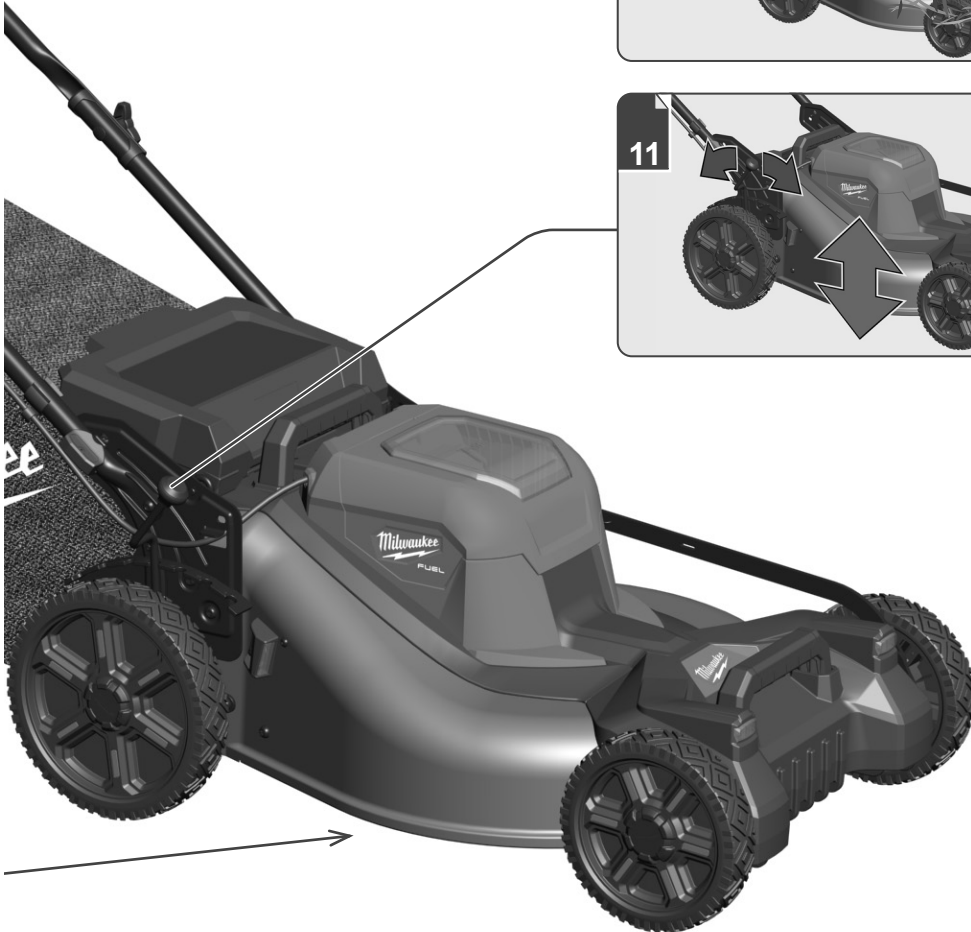
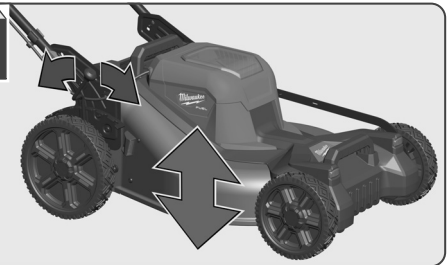
28



26



11





For description, see the texts section.

有關說明，請參閱文本部分。

有关说明，请参阅文本部分。

이에 대한 설명은 텍스트 섹션을
참조하십시오.

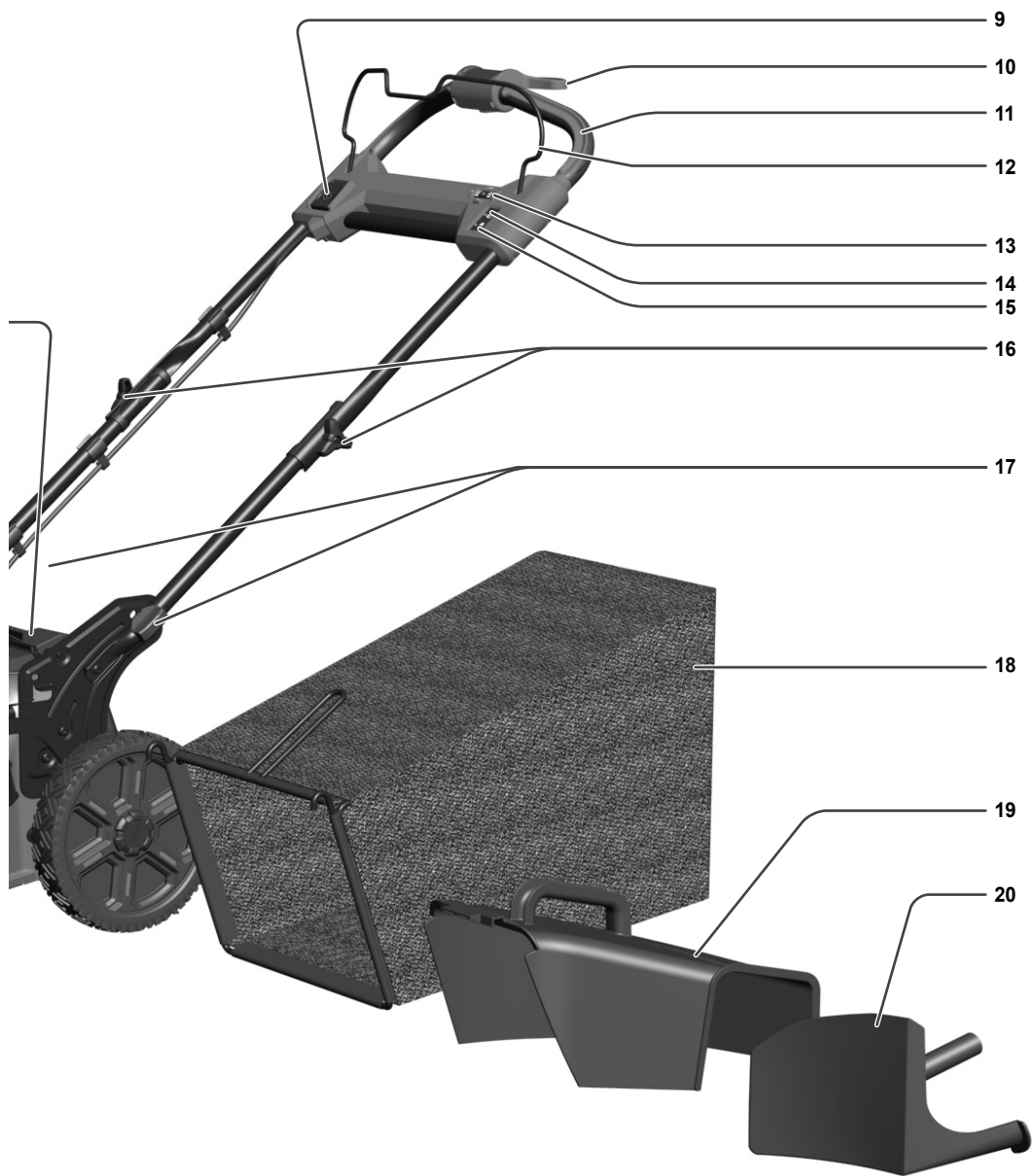
ดูคำอธิบายในส่วนข้อความ

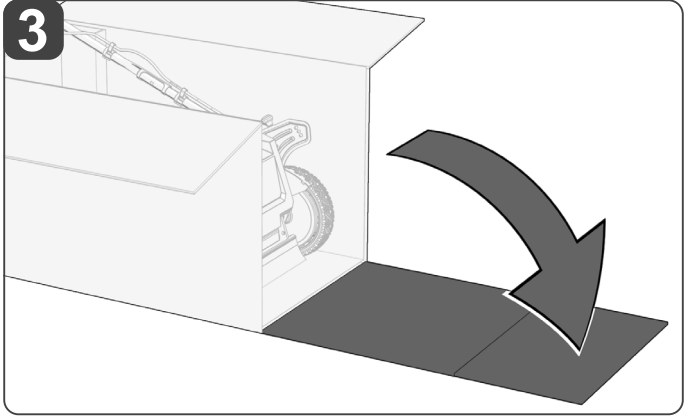
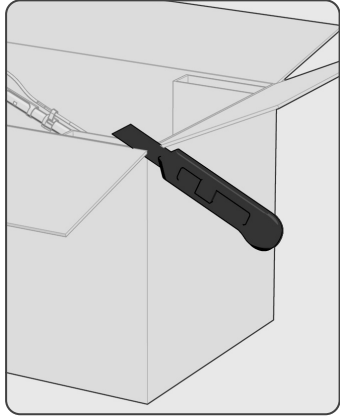
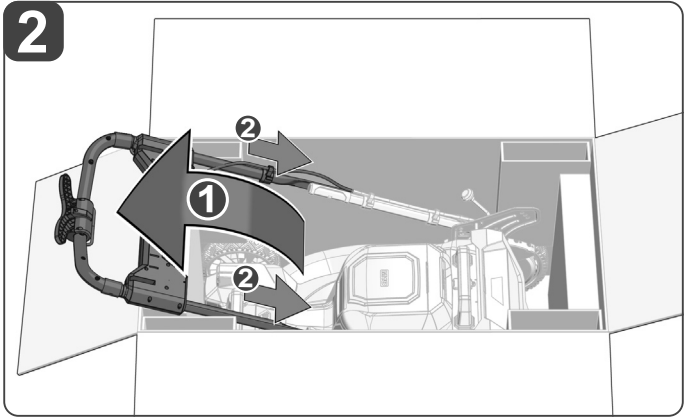
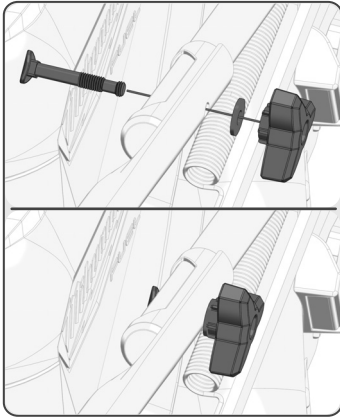
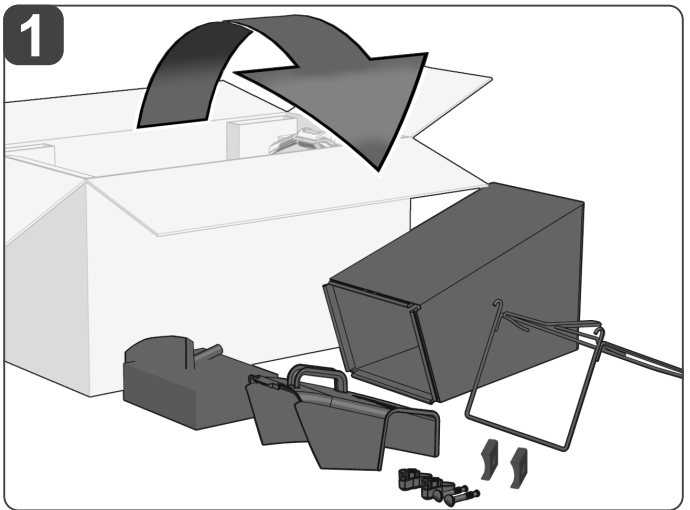
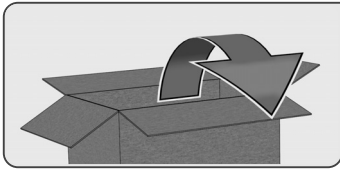
Untuk deskripsi, lihat bagian teks.

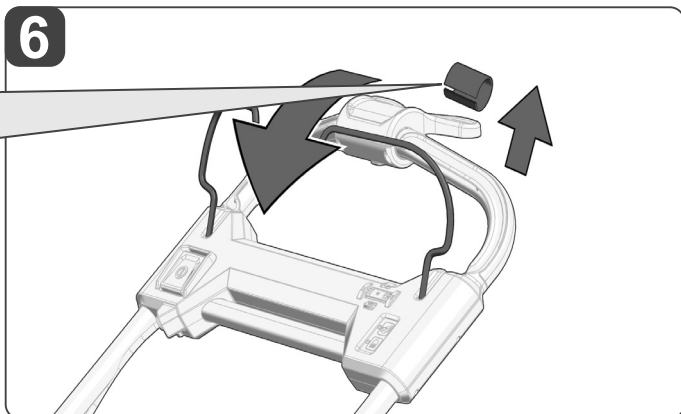
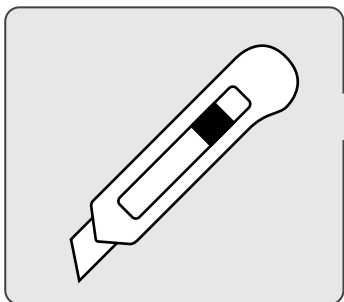
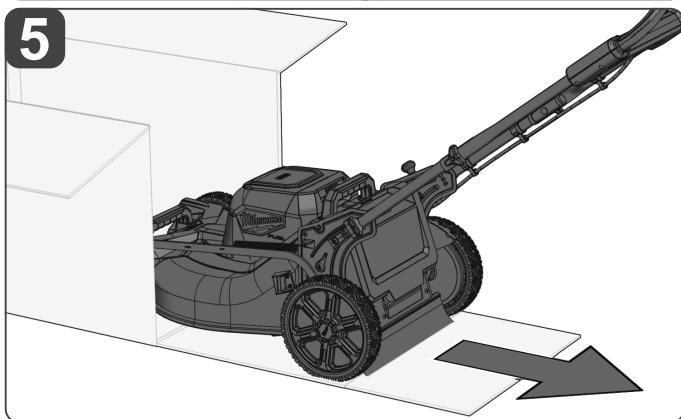
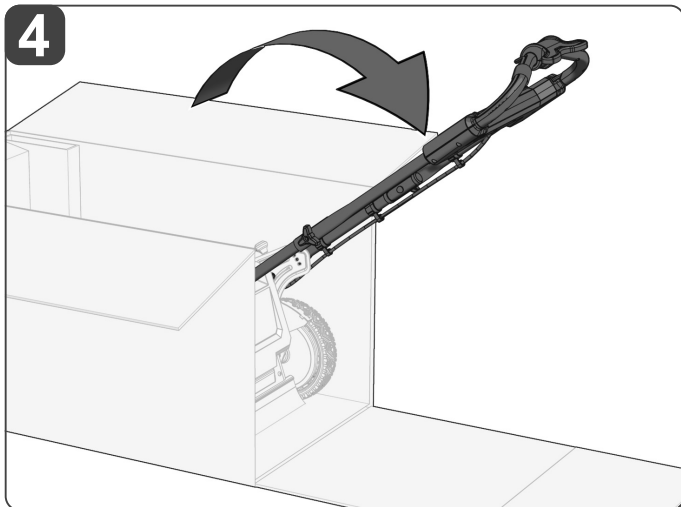
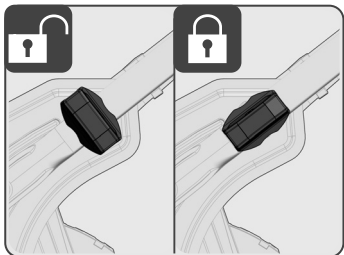
Xem phần văn bản để biết mô tả.

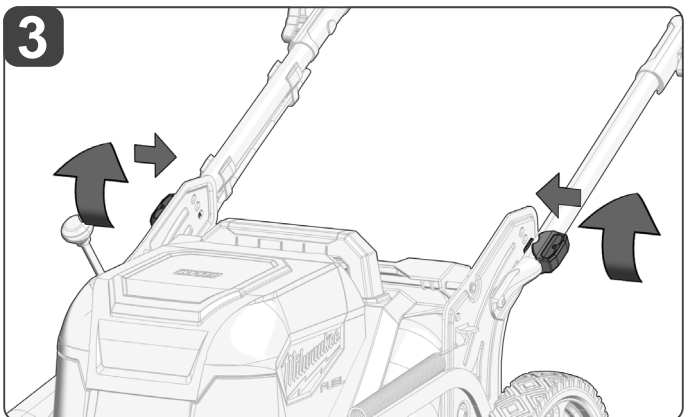
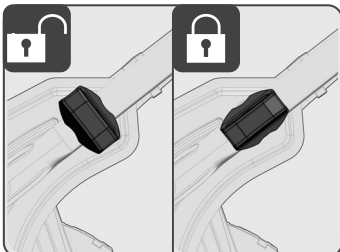
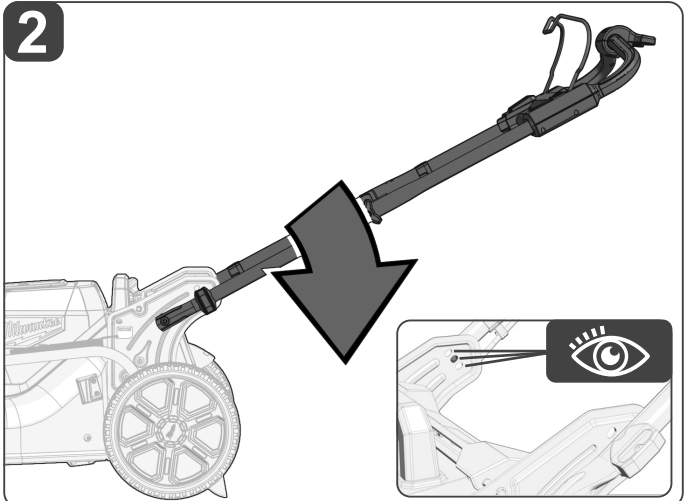
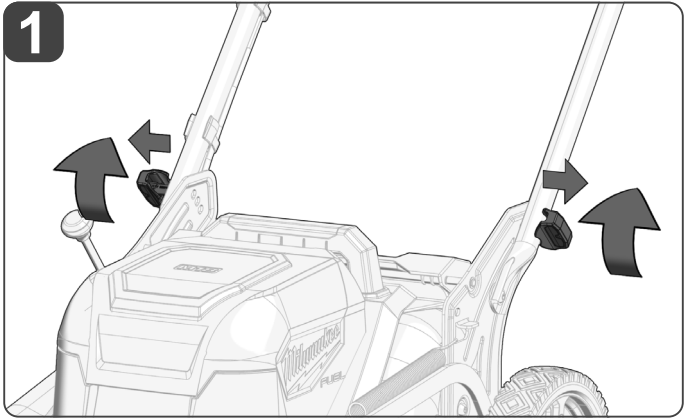
説明については本文の項目をご覧下
さい。

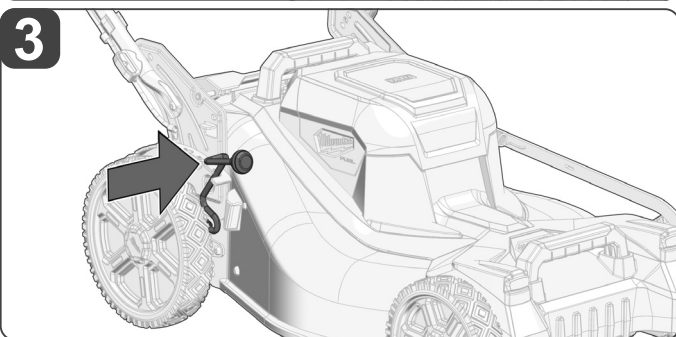
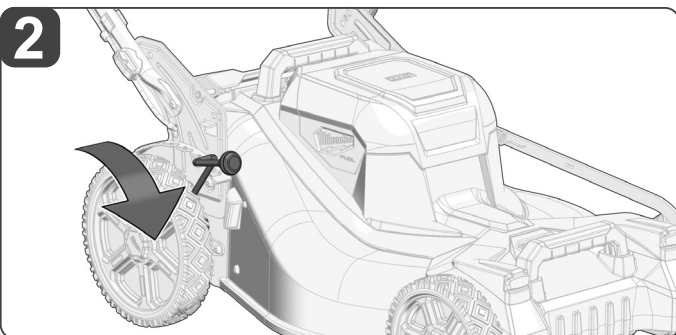
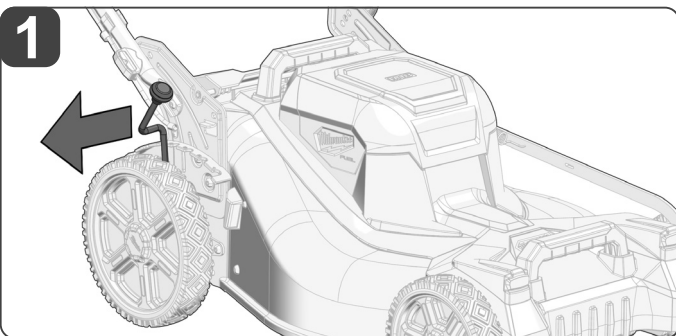
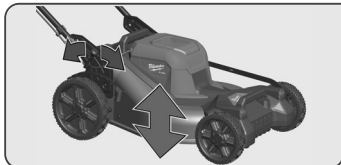












Maximum 100 mm

最大100mm

최대 100mm

สูงสุด 100 มม.

Maksimum 100 mm

Tối đa 100 mm

最高100mm

Minimum 25 mm

最少25mm

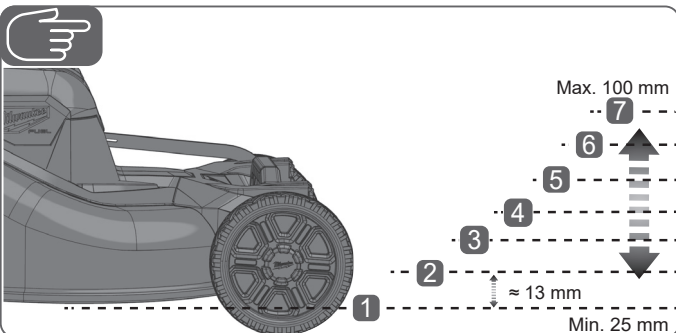
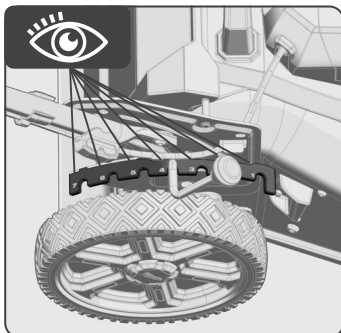
최소 25mm

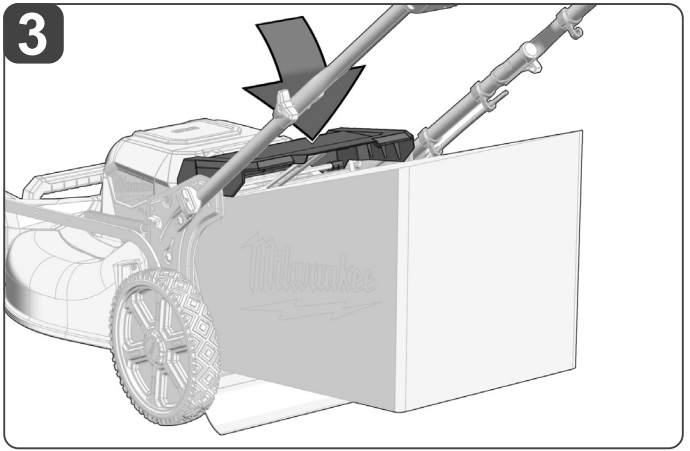
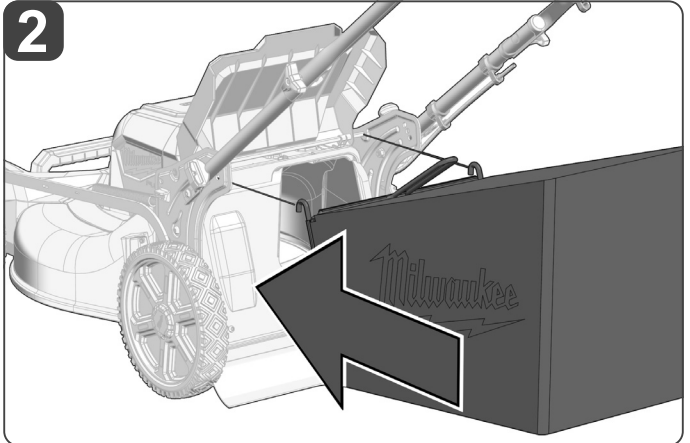
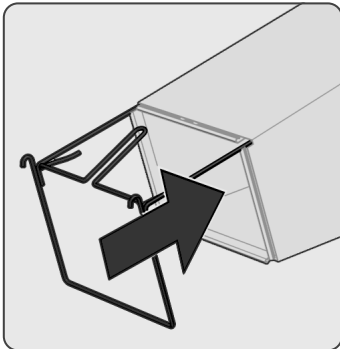
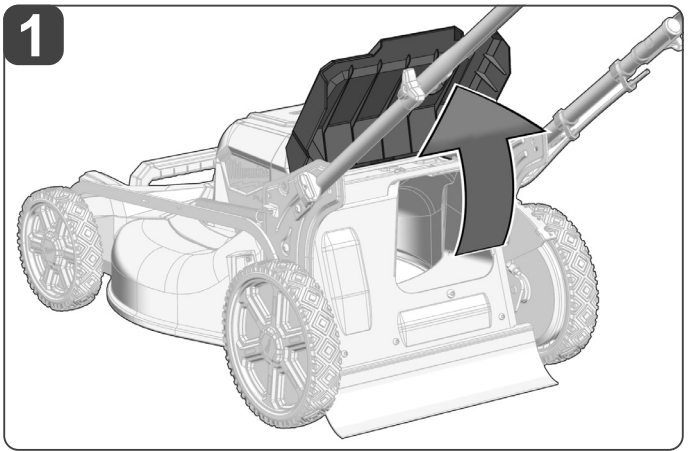
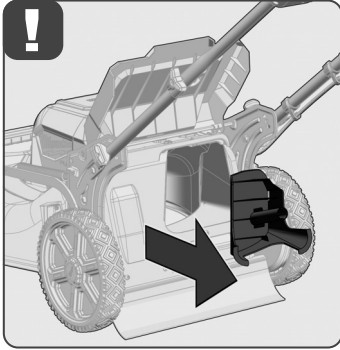
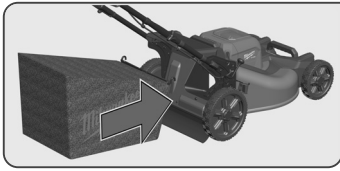
ต่ำสุด 25 มม.

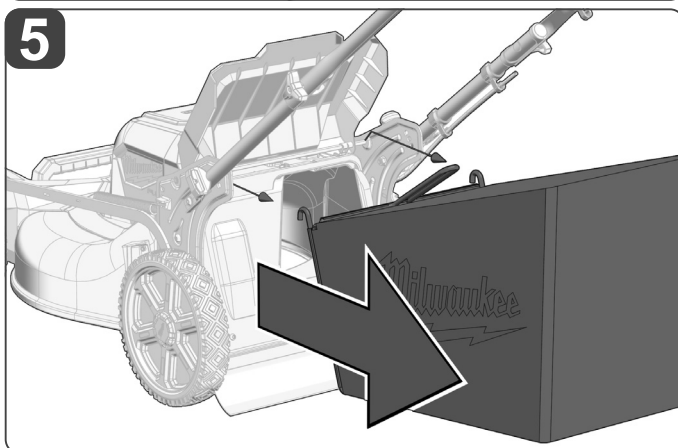
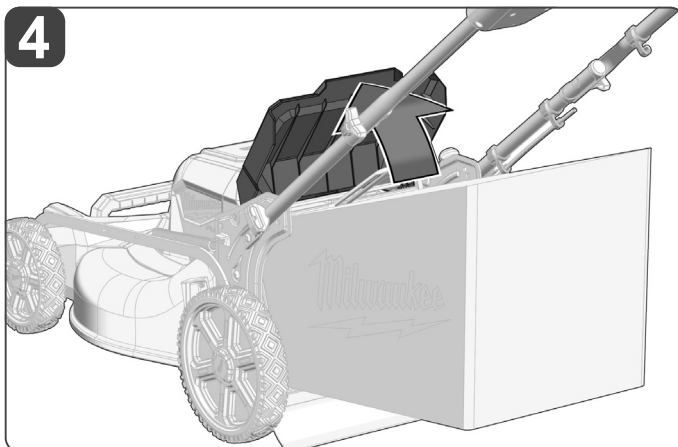
Minimum 25 mm

Tối thiểu 25 mm

最低25mm







Compost grass clippings, or dispose of them in organic waste.

將草屑堆肥，或將其丟棄在有機廢物中。

將草屑堆肥，或將其丟棄在有机废物中。

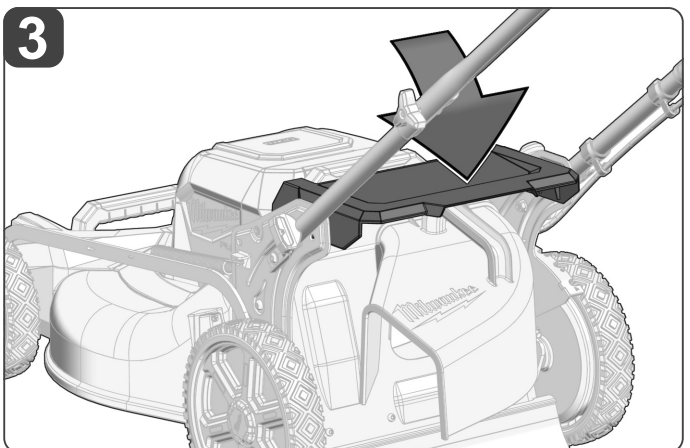
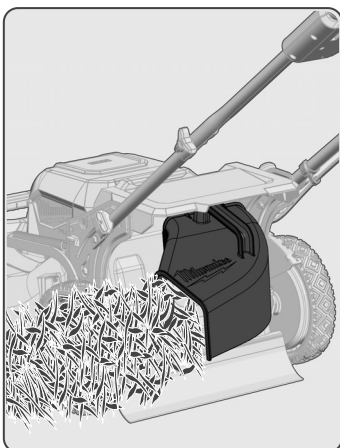
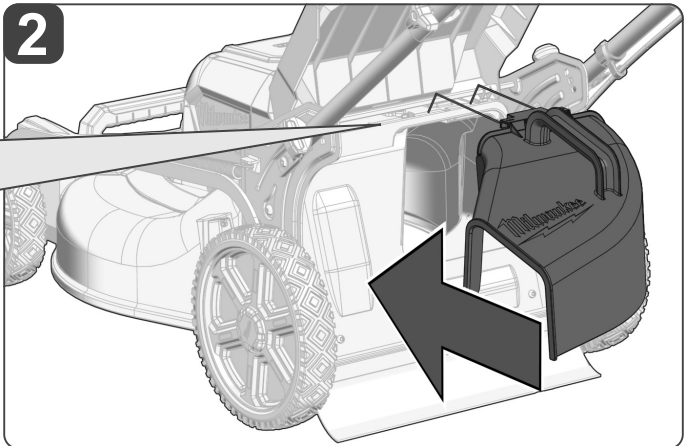
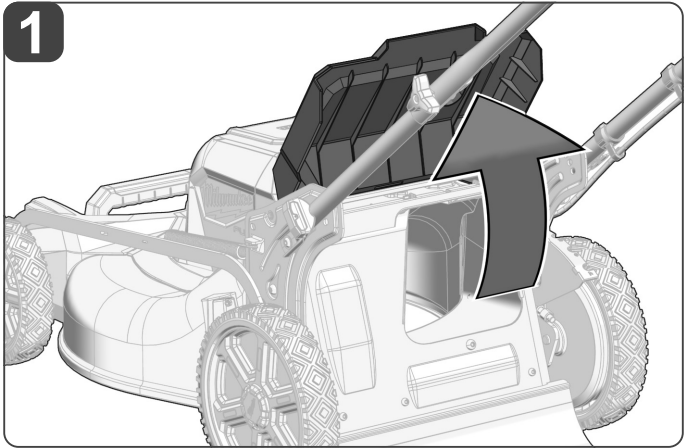
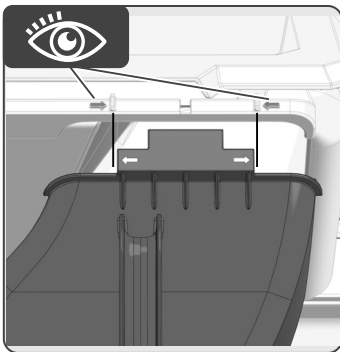
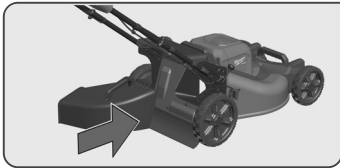
깎아낸 잔디는 퇴비로 만들거나 유기 폐기물로 분류해 버리십시오.

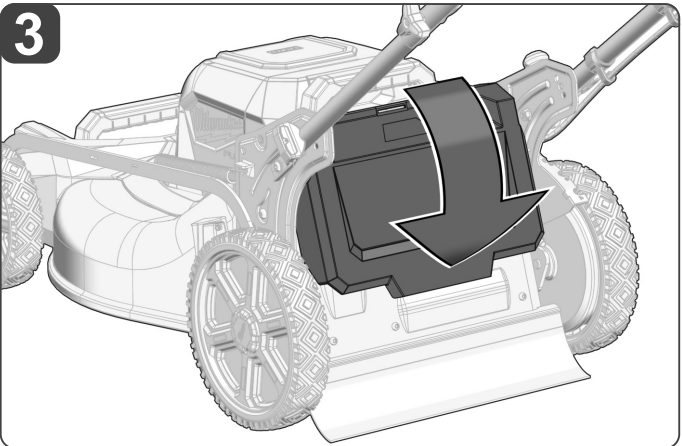
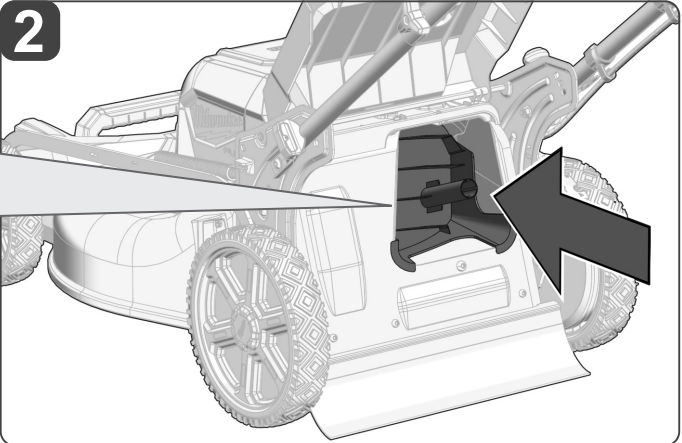
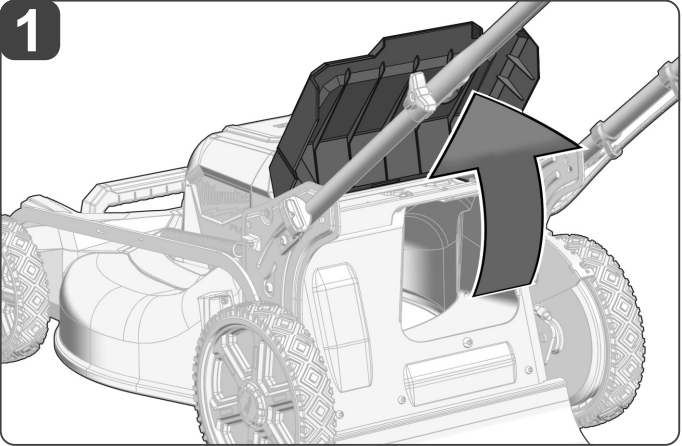
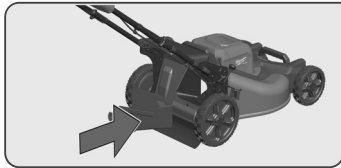
เศษหญ้าที่รวบรวมได้ สามารถทิ้งโดยใช้เป็นปุ๋ยพืชสด

Potongan rumput dibuat kompos, atau buang di bagian sampah organik.

Ủ các mẫu cỏ, hoặc vớt chúng vào chất thải hữu cơ.

刈り取った芝は堆肥にするか、有機廃棄物として廃棄してください。





Mulch application - the clippings remain on the lawn.

覆蓋物應用 - 保留草屑在草坪上。

覆蓋物应用 - 保留草屑在草坪上。

뿌리 덮개 사용 - 잔디밭에 깎아낸 잔디가 남겨집니다.

งานตัดหญ้าคลุมพื้น - เศษหญ้าที่ถูกตัดจะอยู่บนสนาม

Pembuatan mulsa - potongan rumput dibiarkan di lapangan.

Ứng dụng phủ - các mẫu cỏ vẫn còn trên bãi cỏ.

マルチングの応用：刈り取った芝を芝生の上に残します。



2x 18V



Remove the battery pack before starting any work on the product.

對產品進行任何工作前，先移除電池。

在产品上开始任何工作之前，请先取出电池组。

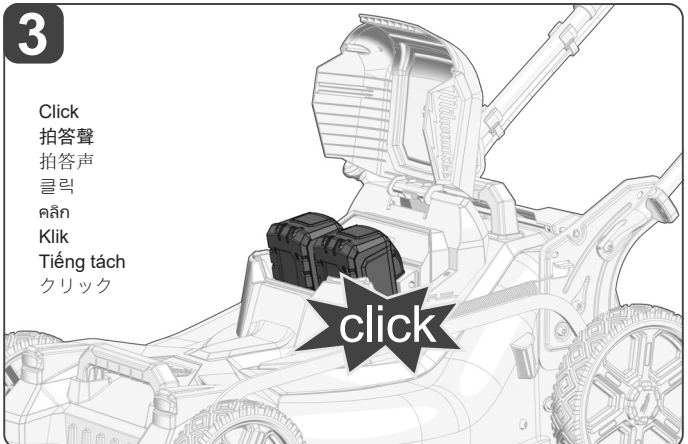
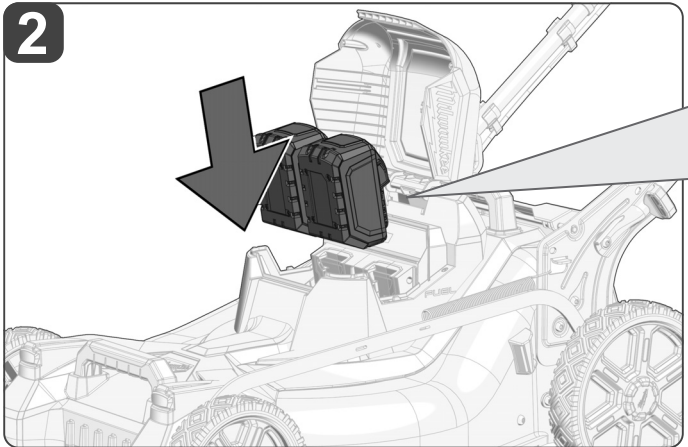
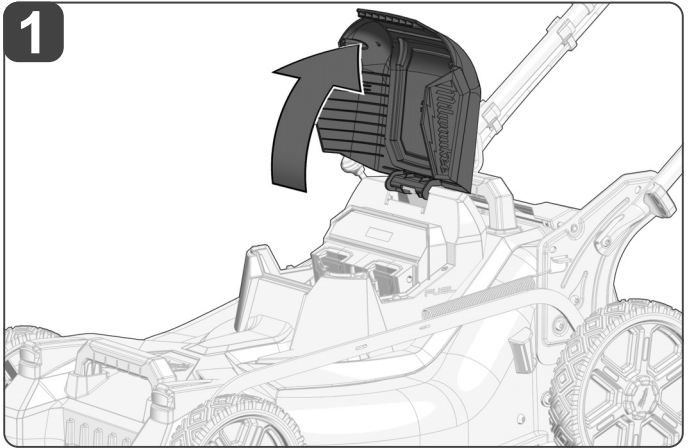
제품 사용 전, 배터리 팩을 제거하십시오.

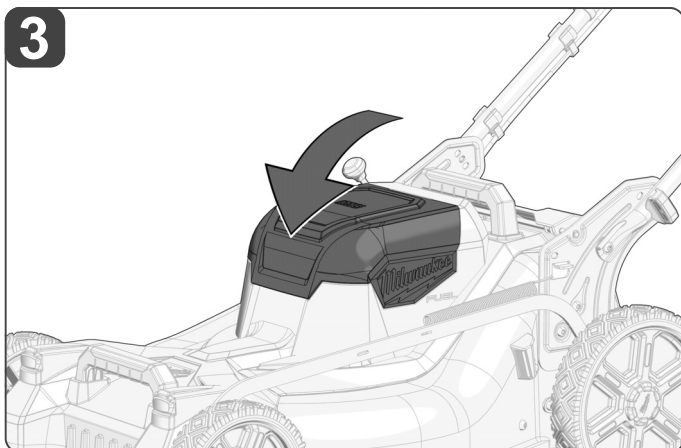
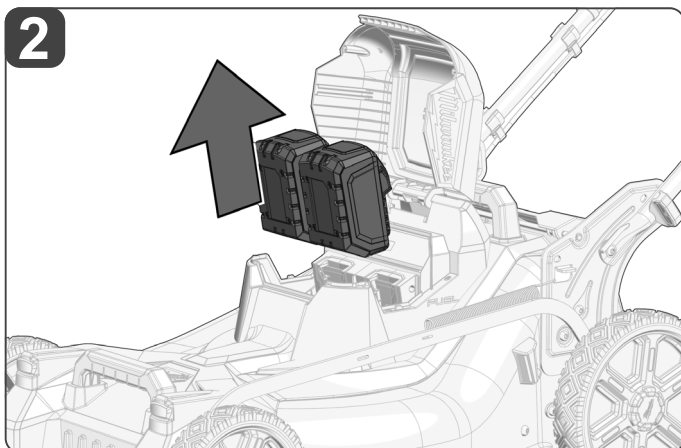
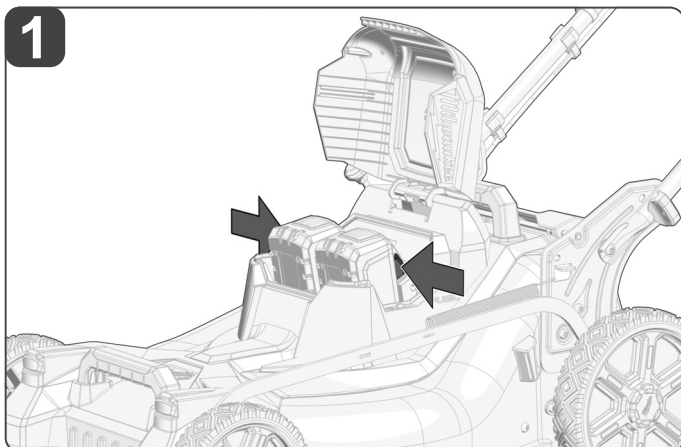
ถอดชุดแบตเตอรี่ออกก่อนเริ่มการทำงานใด ๆ กับผลิตภัณฑ์

Lepaskan paket baterai sebelum memulai pekerjaan apa pun pada produk.

Tháo pin trước khi bắt đầu thao tác với sản phẩm.

作業前の調整時や保守・点検時は、本体からバッテリーを取り外してください。





The product only runs with 2 batteries!

本產品使用 2 個電池才能運行。

本产品使用 2 个電池才能运行。

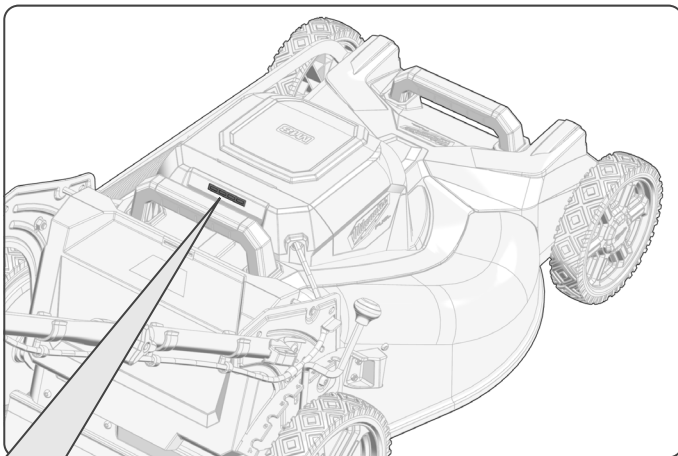
이 제품은 2개의 배터리만으로 작동합니다!

ผลิตภัณฑ์นี้ทำงานด้วยแบตเตอรี่ 2 ก้อนเท่านั้น!

Produk ini dijalankan hanya dengan 2 baterai!

Sản phẩm chỉ chạy với 2 pin!

本製品は2個のバッテリーのみで動作します。



Flashing slowly

緩慢閃爍

緩慢閃爍

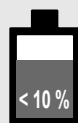
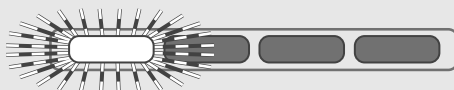
느린 깜빡임

กะพริบช้าๆ

Berkedip dengan perlahan

Nhấp nháy chậm

遅い点滅



Flashing quickly

快速閃爍

快速閃爍

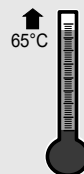
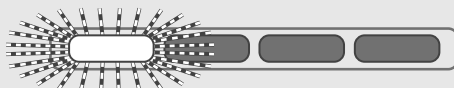
빠른 깜빡임

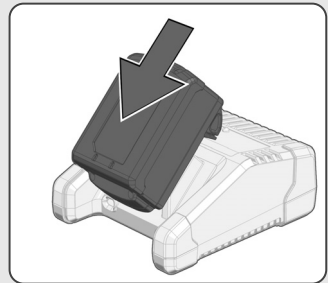
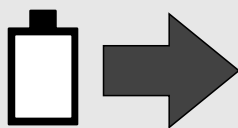
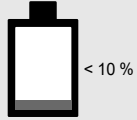
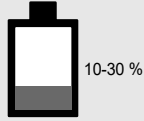
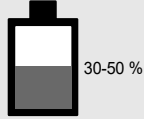
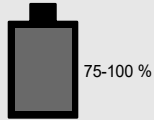
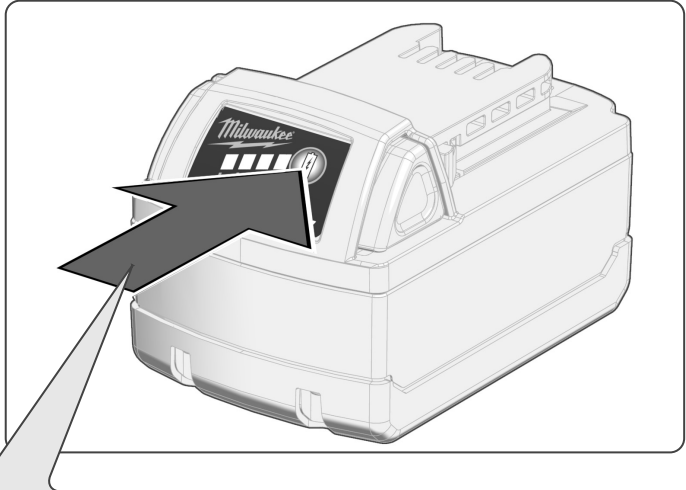
กะพริบเร็ว

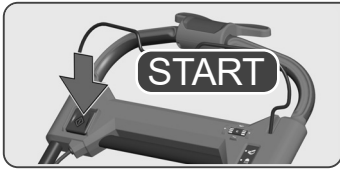
Berkedip dengan cepat

Nhấp nháy nhanh

早い点滅

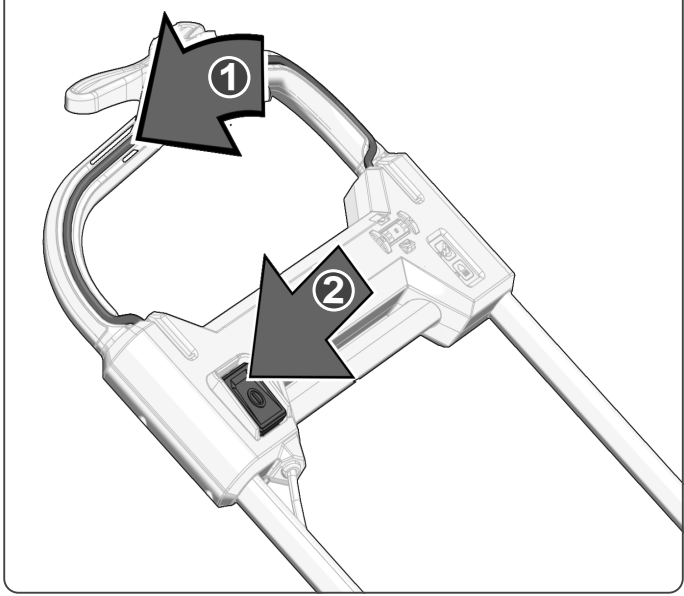




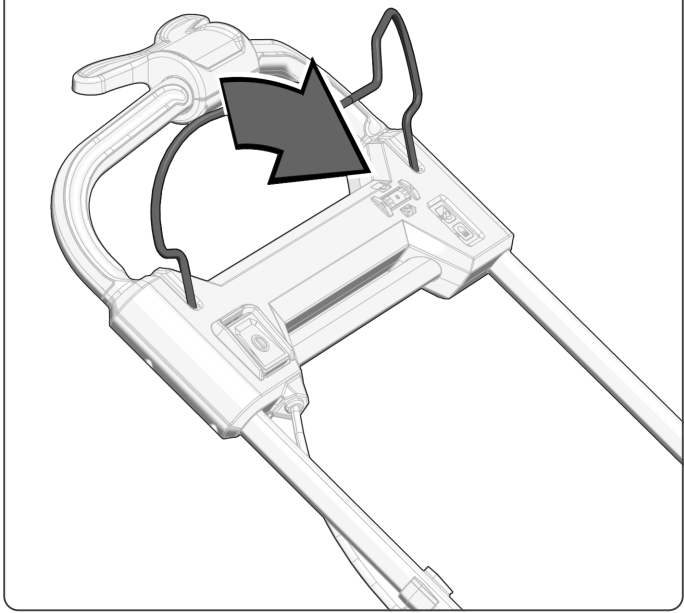


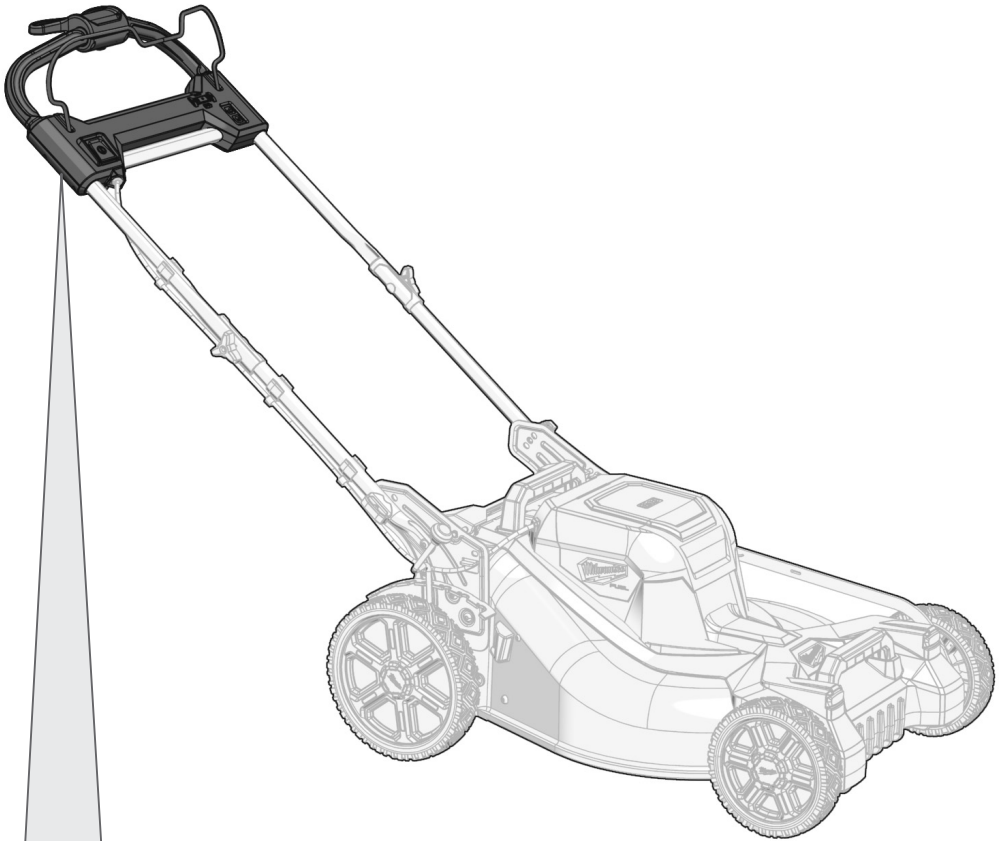
START

Start	Stop
開始	停止
开始	停止
시작	정지
เริ่มตัด	หยุดตัด
Mulai	Berhenti
Khởi động	Dừng
スタート	ストップ



STOP





Insulated gripping surface

絕緣的把手

绝緣的把手

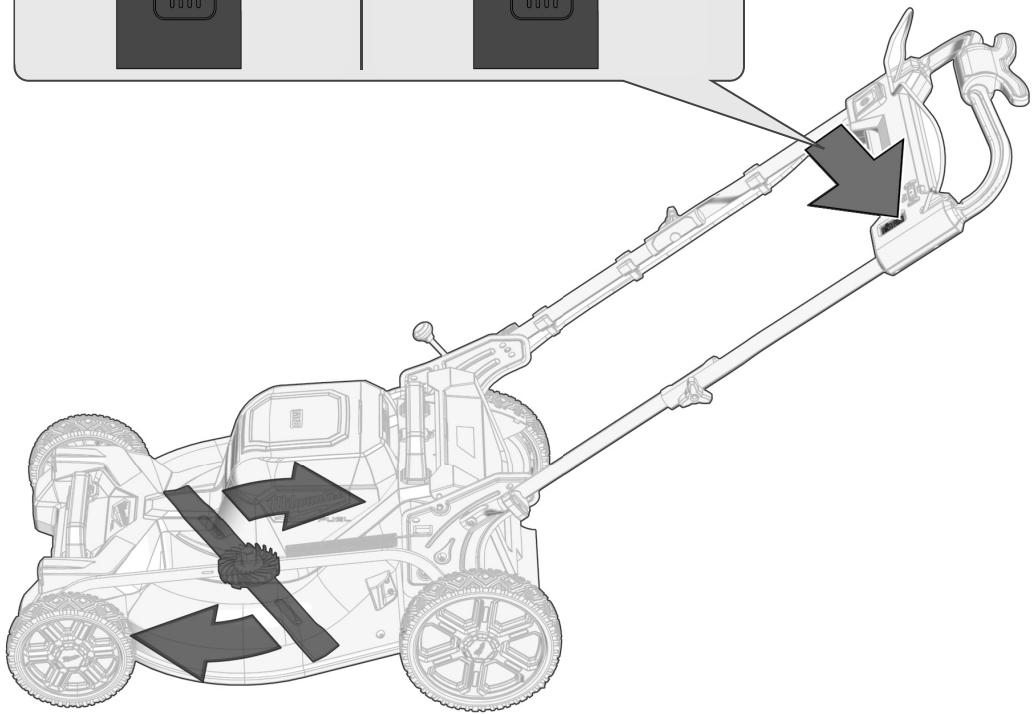
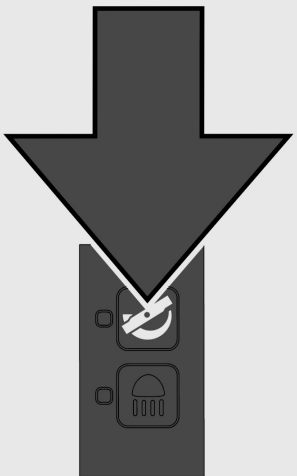
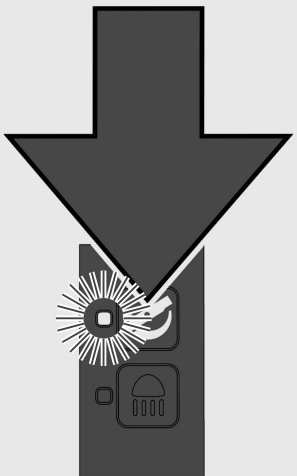
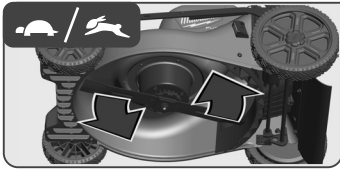
절연 그립 표면

พื้นผิวจับกันความร้อน

Permukaan genggam berinsulasi

Bề mặt tay cầm được cách điện

絶縁グリップ面



The slow speed is pre-set. However, high speed can also be set if necessary.

慢速是預設好的。但是，如果需要，也可以設置高速。

慢速是預設好的。但是，如果需要，也可以設置高速。

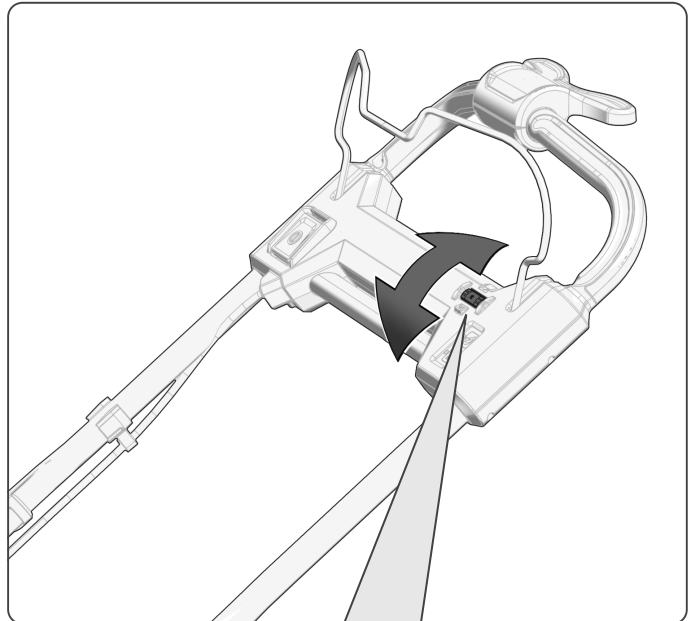
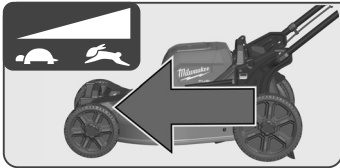
저속으로 사전 설정되어 있습니다. 하지만 필요한 경우 고속 작동 상태로 설정할 수도 있습니다.

รถเข็นตัดหญ้าไร้สายถูกตั้งค่าเริ่มต้นที่ความเร็วต่ำ อย่างไรก็ตามสามารถปรับและตั้งค่าที่ความเร็วสูงได้

Kecepatan rendah sudah disetel sebelumnya. Namun demikian, kecepatan tinggi dapat juga disetel jika diperlukan.

Tốc độ chậm được thiết lập trước. Tuy nhiên, cũng có thể đặt tốc độ cao nếu cần thiết.

低速は初期設定です。ただし、必要な場合は高速に設定することもできます。



1

0 – 2.5 km/h



2

0 – 3.5 km/h



3

0 – 4.5 km/h



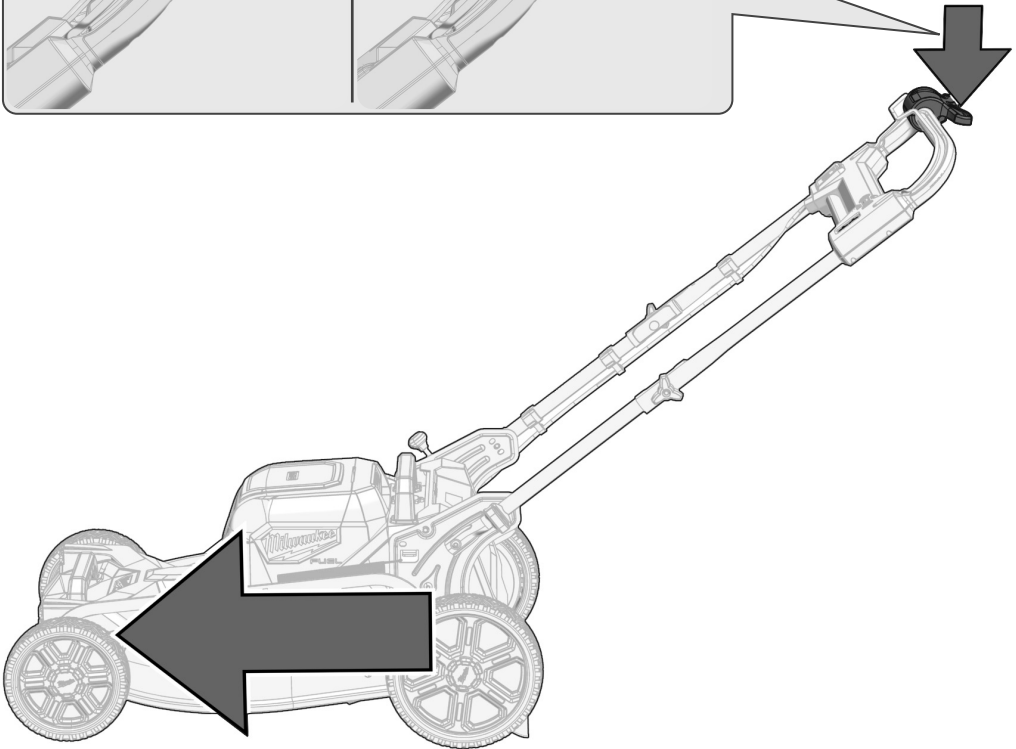
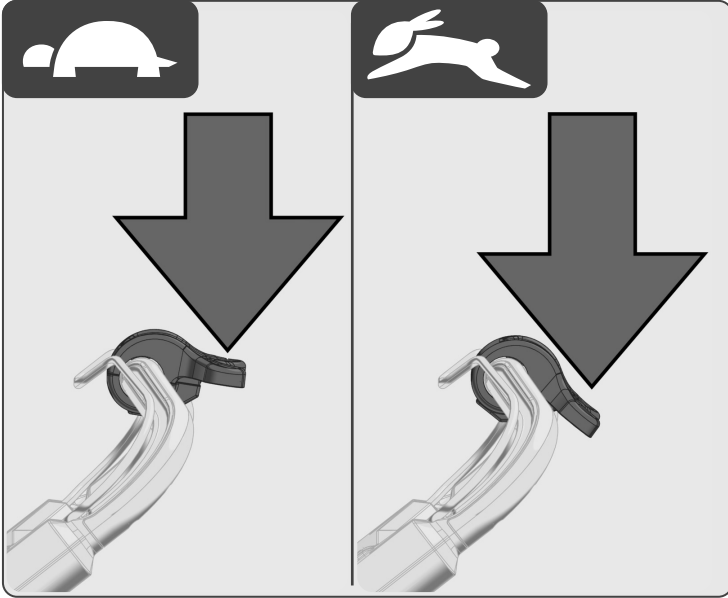
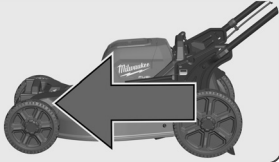
4

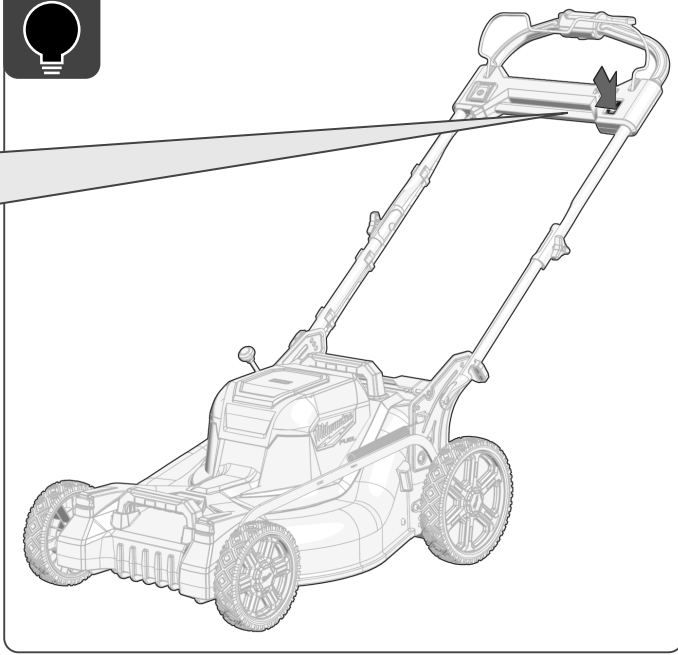
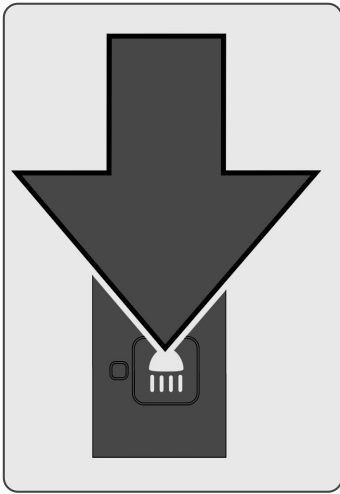
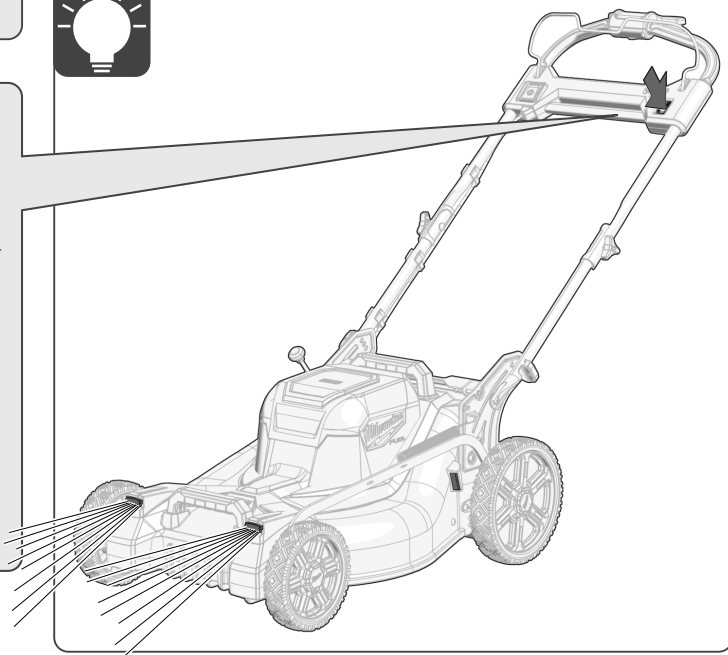
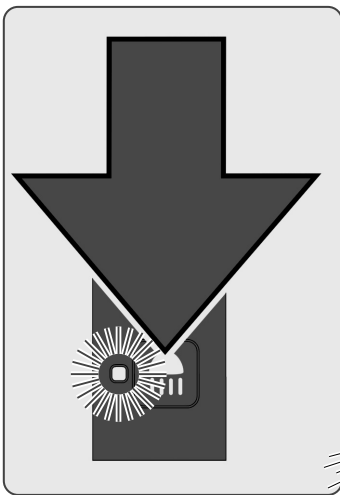
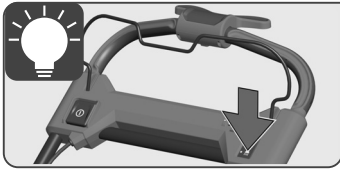
0 – 5.5 km/h

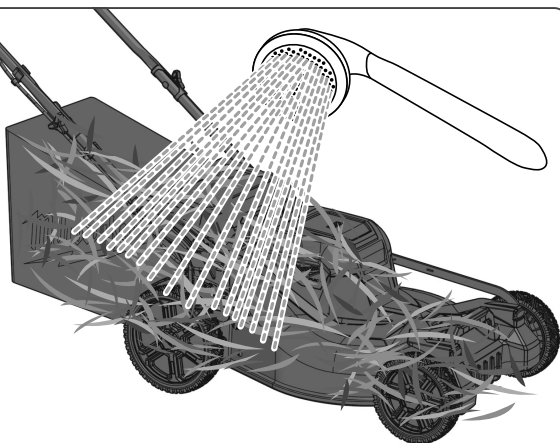
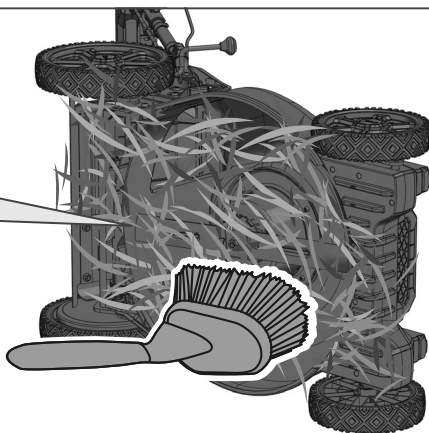
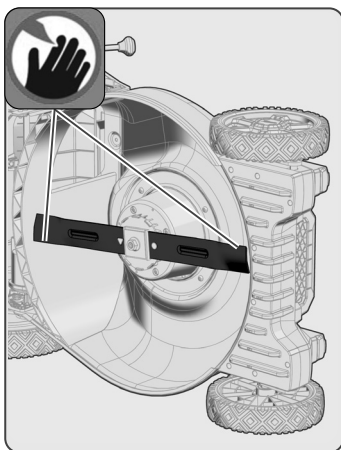
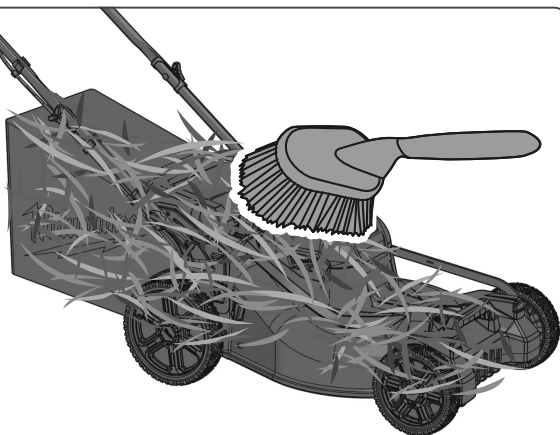


5

0 – 6.5 km/h

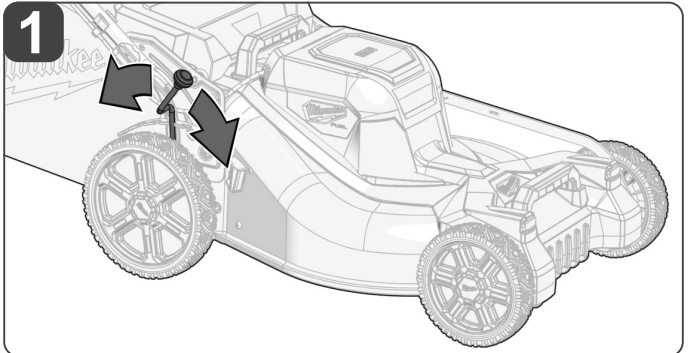




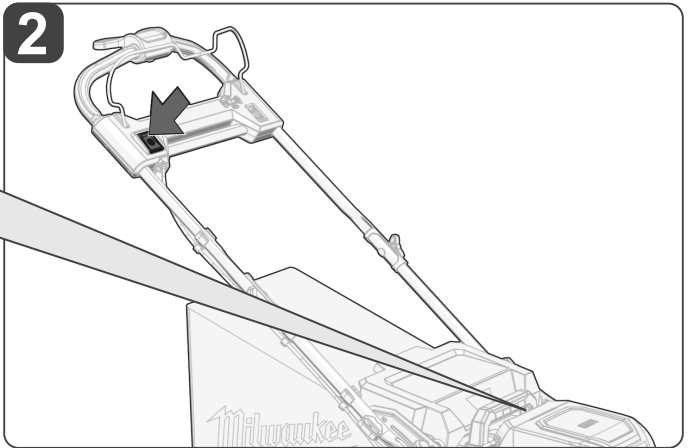




11



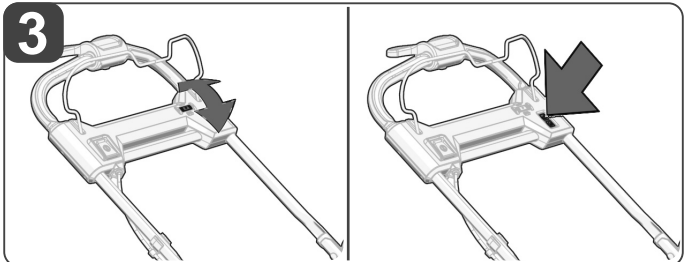
18



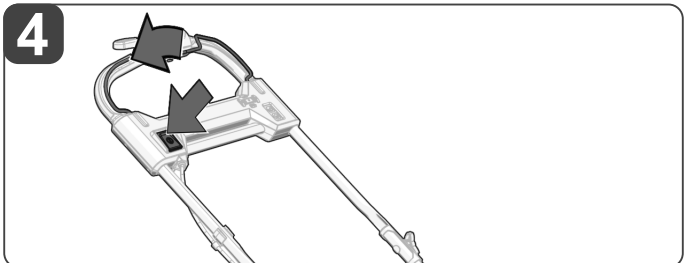
22



24

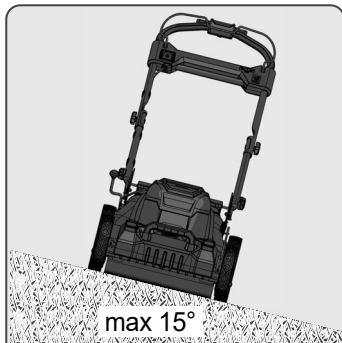


20





25



max 15°

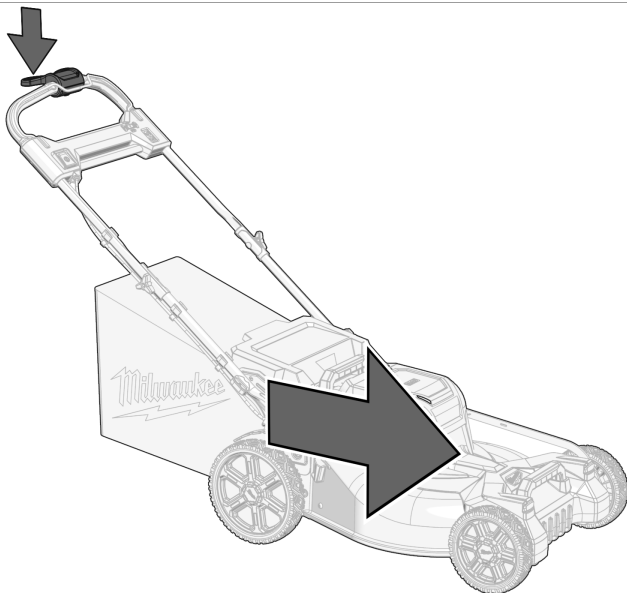


max 15°

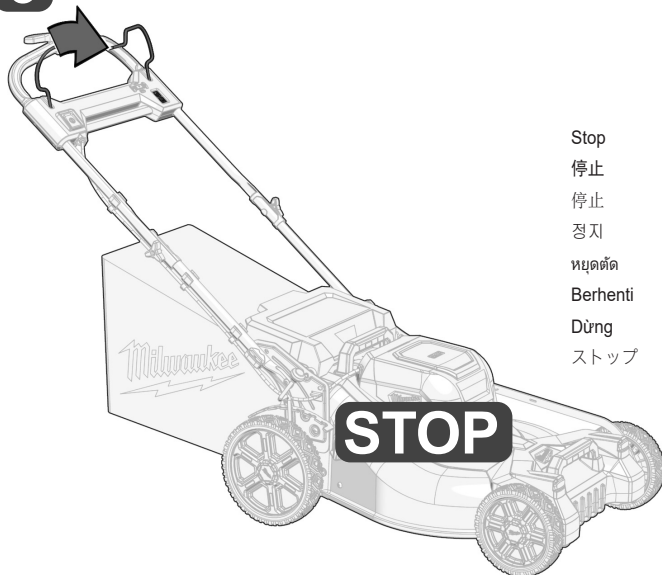


25

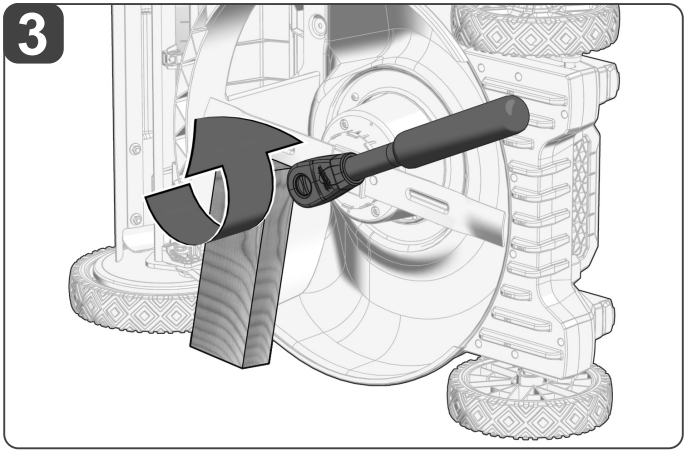
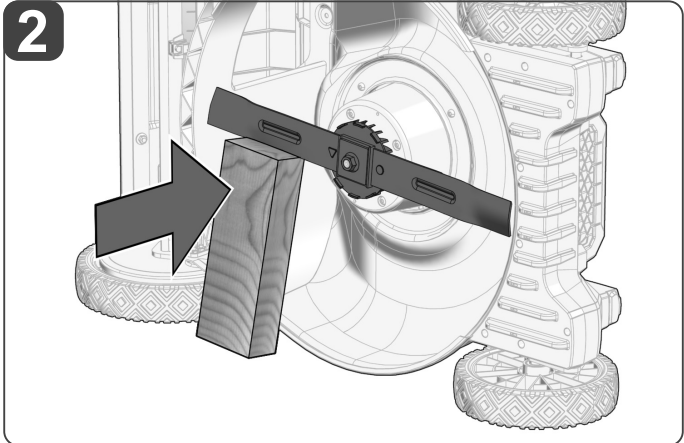
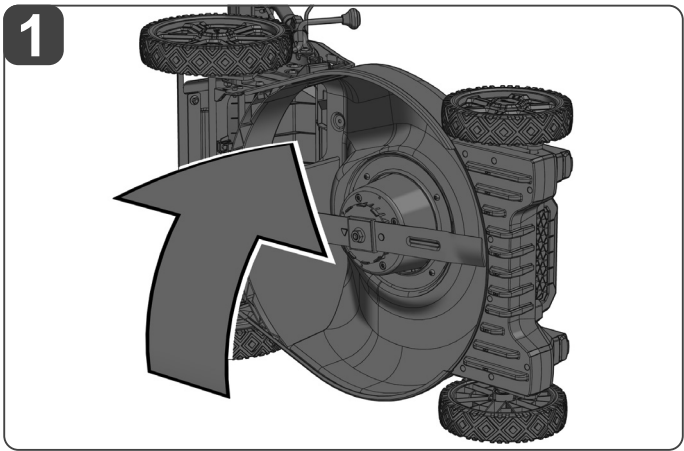
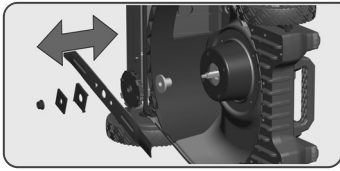
5




6



Stop
停止
停止
정지
หยุดตัด
Berhenti
Dừng
ストップ

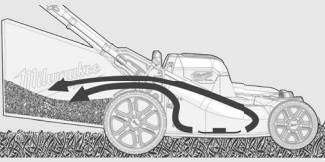


- 
- 4932 4798 18 (standard)
 - 4932 4798 18 (標準)
 - 4932 4798 18 (标准)
 - 4932 4798 18(기본)
 - 4932 4798 18 (มาตรฐาน)
 - 4932 4798 18 (standar)
 - 4932 4798 18 (tiêu chuẩn)
 - 4932 4798 18 (標準)

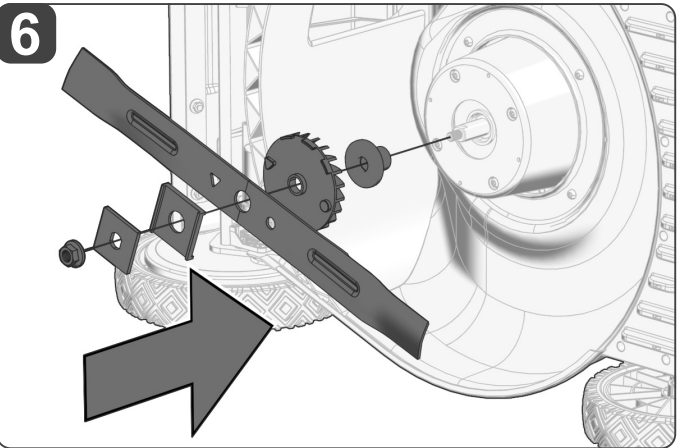
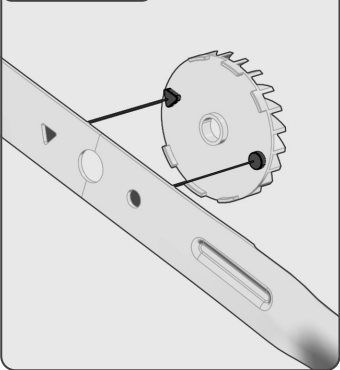
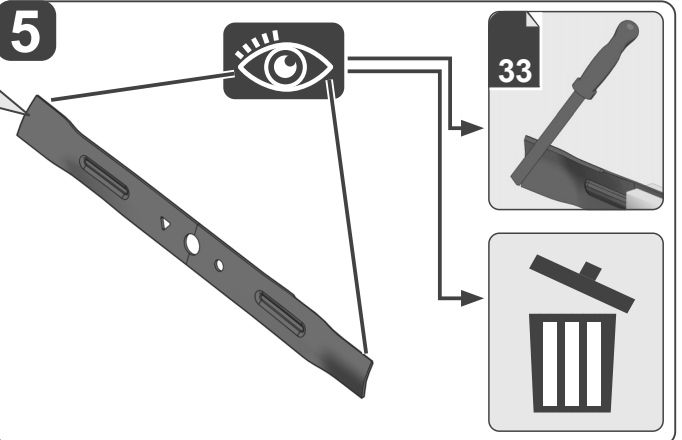
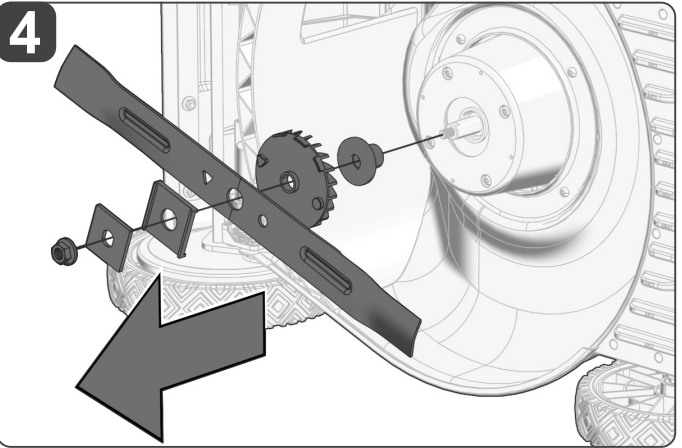
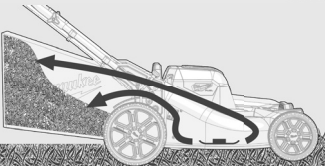
 - 4932 4798 19 (performance)
 - 4932 4798 19 (業績)
 - 4932 4798 19 (业绩)
 - 4932 4798 19(고성능)
 - 4932 4798 19 (ประสิทธิภาพสูง)
 - 4932 4798 19 (performa)
 - 4932 4798 19 (hiệu suất)
 - 4932 4798 19 (高性能)

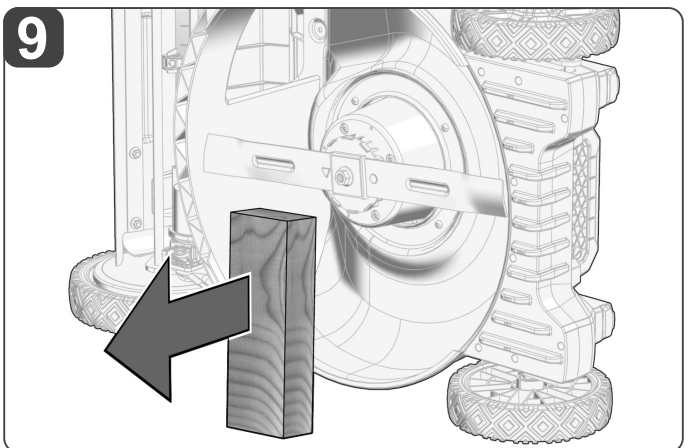
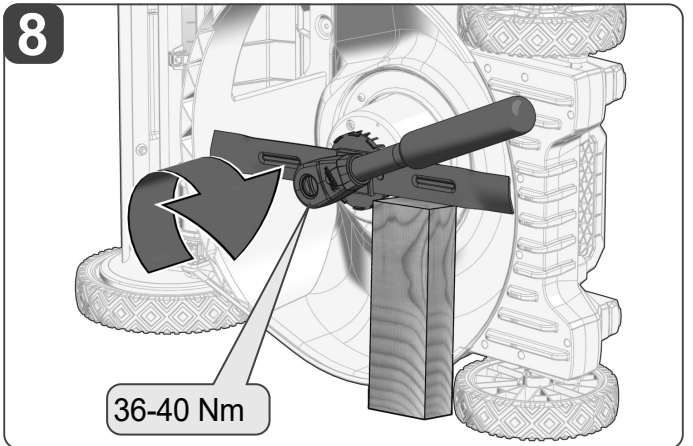
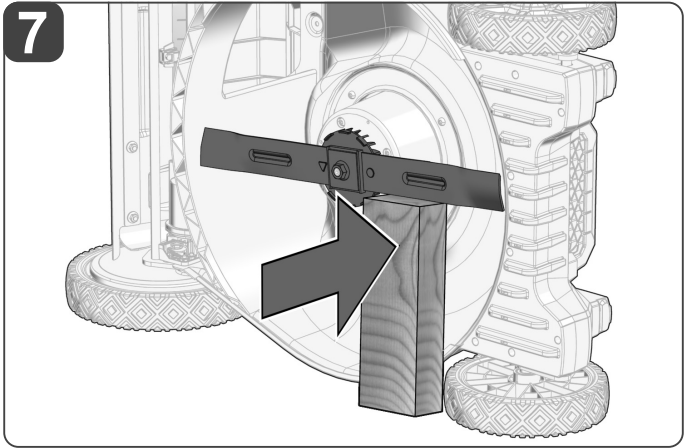


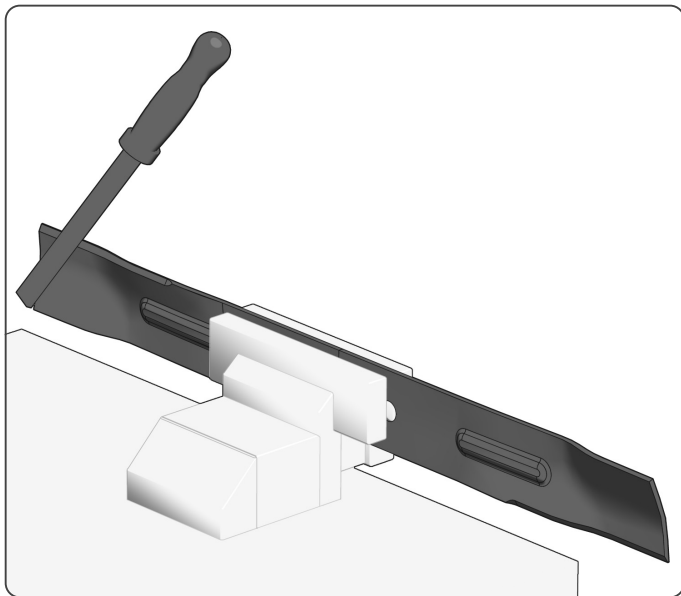
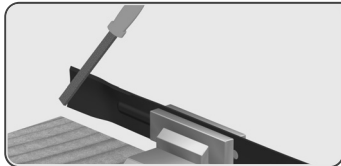
4932 4798 18 (standard)



4932 4798 19 (performance)







Sharpen the cutting edges only by pulling with a file. The grinding angle is 30°. For further information see the maintenance section.

只能通過用銼刀拉動來磨銳切削刃。研磨角度為30°。有關更多訊息，請參閱維護部分。

只能通过用锉刀拉动来磨锐切削刃。研磨角度为30°。有关更多讯息，请参阅维护部分。

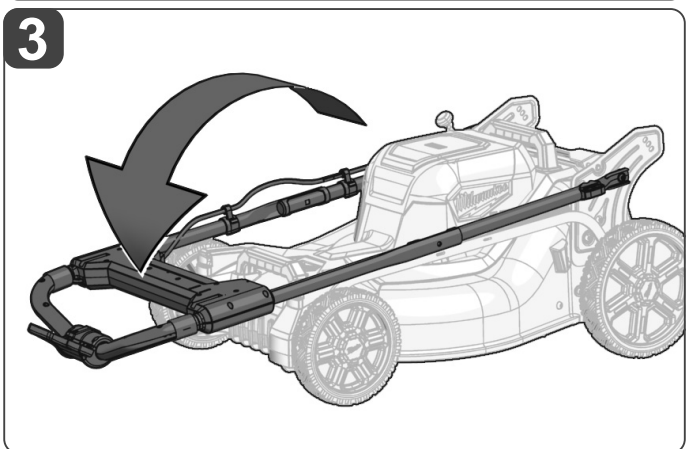
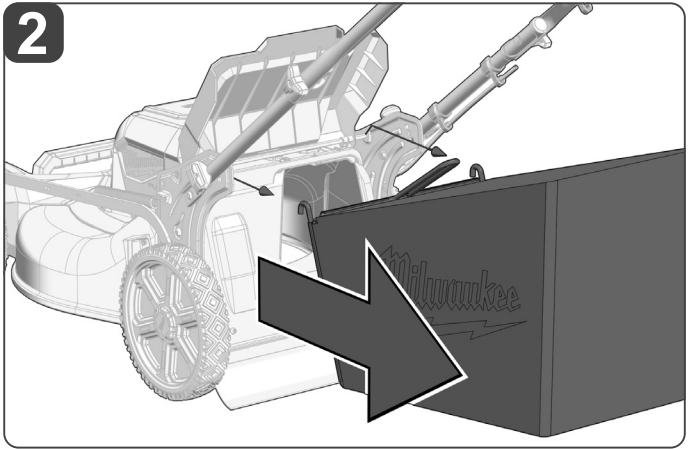
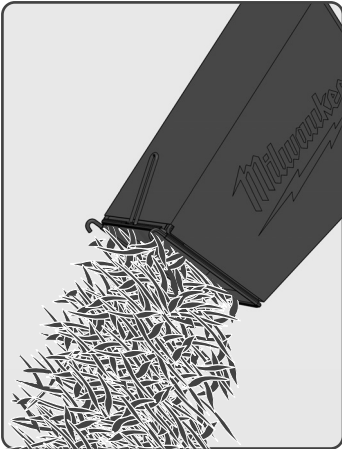
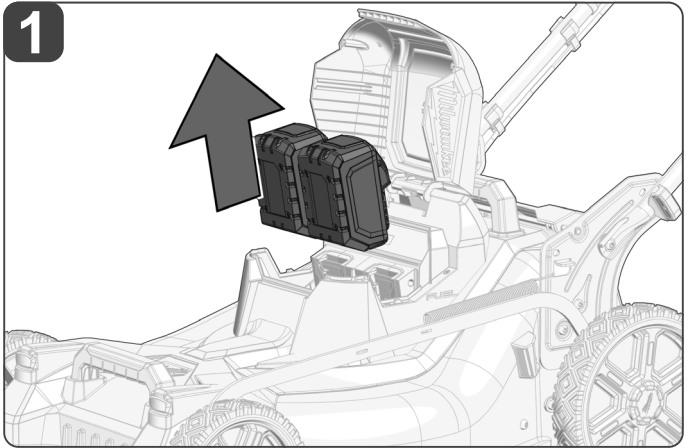
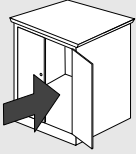
줄로 당기며 연마해 칼날을 날카롭게 만드십시오. 연마 각도는 30°입니다. 자세한 내용은 유지보수 섹션을 참조하십시오.

สับคมใบมีดด้วยตะไบเท่านั้น มุมการสับคมคือ 30° สำหรับข้อมูลเพิ่มเติม โปรดดูในหัวข้อการบำรุงรักษา

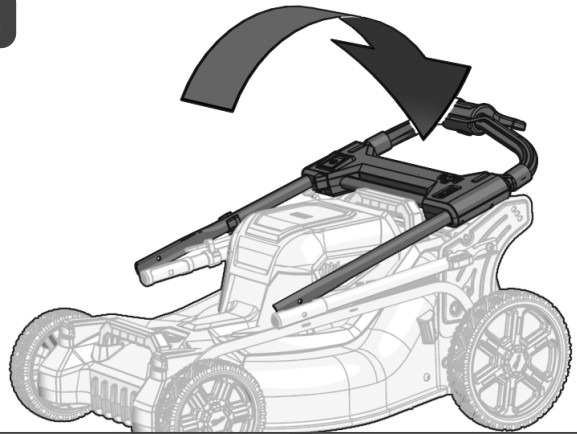
Menajamkan tepi potongan hanya dengan menarik menggunakan kikir. Sudut penajaman adalah 30°. Untuk informasi selengkapnya lihat bagian perawatan.

Chỉ mài các cạnh cắt bằng cách dùng dũa kéo. Góc mài là 30°. Để biết thêm thông tin, hãy xem phần bảo trì.

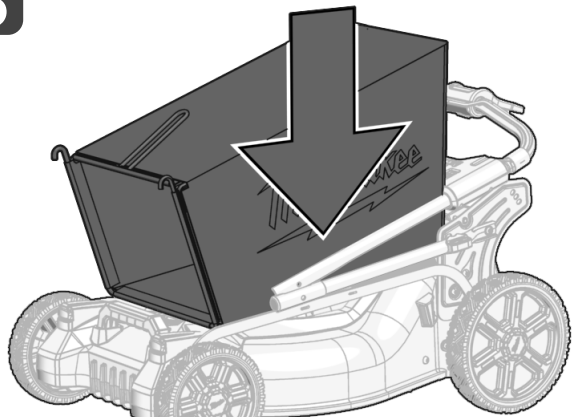
やすりを引いて切断部を研ぎます。研ぎ角度は30°です。詳細については、保守の項を参照してください。



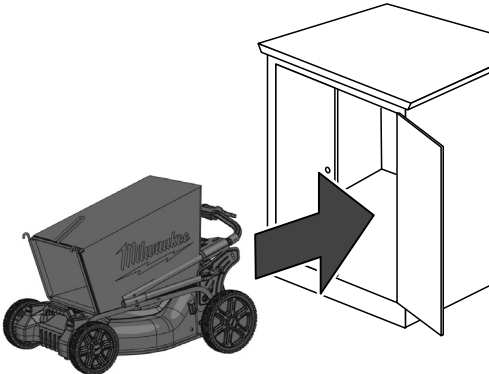
4



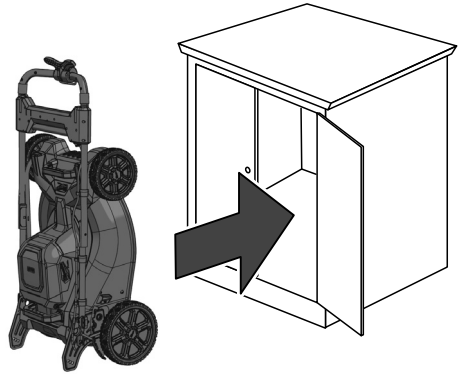
5



6a



6b



TECHNICAL DATA	M18 F2LM53
Type	Cordless self-propelled lawnmower
Battery voltage	36 V (2 x 18 V) ---
Blade speed low/high	2800 / 3300 min ⁻¹
Self-propelled driving speed	
Speed 1	0 – 2.5 km/h
Speed 2	0 – 3.5 km/h
Speed 3	0 – 4.5 km/h
Speed 4	0 – 5.5 km/h
Speed 5	0 – 6.5 km/h
Deck size	533 mm
Cutting height range	25 - 100 mm
Grass catcher capacity	70 l
Weight according EPTA-Procedure 01/2014 (2 x 12.0 Ah)	38.5 kg
Protection class	IPX4
Recommended ambient operating temperature	-18 – +50 °C
Recommended battery types	2 x M18B..., M18 HB...
Recommended charger	M12-18..., M18 DFC
Noise information	
Noise emission values determined according to EN 62841.	
A-weighted sound pressure level	75.8 dB(A)
Uncertainty K	3.0 dB(A)
A-weighted sound power level	93.8 dB(A)
Uncertainty K	3.0 dB(A)
Wear ear protectors.	
Vibration information	
Total vibration values (vector sum in the three axes) determined according to EN 62841	
Vibration emission value a _v	12.7 m/s ²
Uncertainty K	1.5 m/s ²


WARNING!

The declared vibration total values and the declared noise emission values given in this instruction manual have been measured in accordance with a standardised test given in EN 62841 and may be used to compare one tool with another. They may be used for a preliminary assessment of exposure.

The declared vibration and noise emission values represent the main applications of the tool. However, if the tool is used for different applications, used with different accessories, or poorly maintained, the vibration and noise emission may differ. These conditions may significantly increase the exposure levels over the total working period.

An estimation of the level of exposure to vibration and noise should take into account the times when the tool is turned off or when it is running idle. These conditions may significantly reduce the exposure level over the total working period.

Identify additional safety measures to protect the operator from the effects of vibration and noise, such as maintaining the tool and the accessories, keeping the hands warm, and organising work patterns.

 **WARNING!** Read all safety warnings, instructions, illustrations, and specifications provided with the product. Failure to follow all instructions listed below may result in electric shock, fire, and/or serious injury.

Save all warnings and instructions for future reference.

LAWNMOWER SAFETY WARNINGS

Do not use the lawnmower in bad weather conditions, especially when there is a risk of lightning. This decreases the risk of being struck by lightning.

Thoroughly inspect the area for wildlife where the lawnmower

is to be used. Wildlife may be injured by the product during operation.

Thoroughly inspect the area where the lawnmower is to be used and remove all stones, sticks, wires, bones, and other foreign objects. Thrown objects can cause personal injury.

Before using the lawnmower, always visually inspect to ensure that the blade and the blade assembly are not worn or damaged. Worn or damaged parts increase the risk of injury.

Check the grass catcher frequently for wear or deterioration. A worn or damaged grass catcher may increase the risk of personal injury.

Keep guards in place. Guards must be in working order and be properly mounted. A guard that is loose, damaged, or is not functioning correctly may result in personal injury.

Keep all cooling air inlets clear of debris. Blocked air inlets and debris may result in overheating or risk of fire.

While operating the lawnmower, always wear non-slip and protective footwear. Do not operate the lawnmower when barefoot or wearing open sandals. This reduces the chance of injury to the feet from contact with the moving blade.

While operating the product, always wear long trousers. Exposed skin increases the likelihood of injury from thrown objects.

Do not operate the lawnmower in wet grass. Walk, never run. This reduces the risk of slipping and falling which may result in personal injury.

Do not operate the lawnmower on excessively steep slopes. This reduces the risk of loss of control, slipping and falling which may result in personal injury.

When working on slopes, always be sure of your footing, always work across the face of slopes, never up or down and exercise extreme caution when changing direction. This reduces the risk of loss of control, slipping and falling which may result in personal injury.

Use extreme caution when reversing or pulling the lawnmower towards you. Always be aware of your surroundings. This reduces the risk of tripping during operation.

Do not touch the blades and other hazardous moving parts while they are still in motion. This reduces the risk of injury from moving parts.

When clearing jammed material or cleaning the lawnmower, make sure that all power switches are off and that the battery pack is disconnected. Unexpected operation of the lawnmower may result in serious personal injury.

Stop the product immediately after striking a foreign object or when the product starts to vibrate abnormally.

Remove the battery packs and make sure that all the moving parts have come to a complete stop:

- After striking a foreign object inspect the product for damage and make repairs before restarting and operating the product.
- When the product starts to vibrate abnormally immediately inspect for damage, replace, or repair any damaged parts and check for and tighten any loose parts.

ADDITIONAL SAFETY AND WORKING INSTRUCTIONS

Do not operate the product unless the grass bag, mulch plug, or rear side discharge are correctly installed and functioning properly. Check frequently for signs of wear or deterioration and replace as needed.

Make sure that safety devices (rear door, discharge attachment, bail, etc.) are in place and in good working condition.

Inspect the area and remove debris before mowing. Remove all stones, sticks, wires, bones, and other foreign objects. Beware of thrown objects. Objects struck by the lawnmower blade can be thrown and cause severe injuries and/or damage to the product.

Disengage the self-propel function before starting the product.

Never attempt to make a wheel height adjustment while the mower is running.

Do not expose the product to water or operate on wet ground. Do not use the product in the rain.

Keep hands and feet away from the blades. Do not reach under the blade guard. Keep clear of the discharge opening at all times. Do not direct the discharge material towards anyone. Avoid discharging

material against a wall or obstruction. The material may ricochet back toward the operator.

Look down and behind before and while moving backwards. Do not mow in reverse unless it is absolutely necessary.

Always be sure of footing. Keep a firm hold on the handle and walk, never run.

Avoid holes, ruts, bumps, rocks, or other hidden hazards. Uneven terrain could overturn the product, or cause the operator to lose their balance or footing.

Stop the blade when crossing gravel drives, walks, or roads. Turn off the motor and wait until the blade comes to a complete stop before removing the grass catcher or before unclogging the chute.

Do not leave a running product unattended. Always park on level ground and turn off the product.

Close the battery cover during use.

Do not stare at the operating light when LED headlights are turned on.

Never allow children, persons with reduced physical, sensory, or mental capabilities or lack of experience and knowledge, or people who are unfamiliar with these instructions to use the product, local regulations may restrict the age of the operator.

Beware of thrown objects. Keep all bystanders, children, and pets at least 30 m away from the work area.

Do not operate the product in poor lighting. The operator requires a clear view of the work area to identify potential hazards.

Inspect the product before each use. Check for loose fasteners, etc. Make sure that all the guards and handles are properly and securely attached. Replace any damaged parts before use. Check for battery pack leaks.

Do not modify the product in any way.

Do not allow children or untrained individuals to use the product.

Wear full eye and hearing protection while operating the product. If working in an area where there is a risk of falling objects, wear appropriate head protection.

Secure long hair so that it is above shoulder level to prevent entanglement in moving parts.

Do not use the product when you are tired, ill, or under the influence of alcohol, drugs, or medication.

Keep firm footing and balance. Do not overreach. Overreaching can result in loss of balance or exposure to hot surfaces.

Do not tilt the product when turning on the motor.

Remove the battery pack before starting any work on the product.

SLOPE OPERATION

Do not operate on inclines greater than 15°. Mow across slopes, not up and down.

Operation on slopes increases the risk of slipping and falling which may result in severe injuries.

Operation on the slopes requires extra caution. If you feel uneasy on a slope, do not mow it.

Always be sure of your footing. A slip and fall can cause serious personal injury. If you feel you are losing your balance, release the bail bar immediately.

Exercise extreme caution when changing direction on slopes. Avoid starting and stopping on slopes. Avoid making sudden changes in speed or direction. Make turns slowly and gradually.

Use caution while operating near dropoffs.

Do not operate the product under any condition where traction, steering, or stability is in question. Tyres could slide even if the wheels are stopped.

Always keep the product in control when going down slopes. Do not coast downhill.

Use extra care while operating the product with a grass catcher. A heavy grass catcher can affect the stability of the product.

Watch for holes, ruts, rocks, hidden objects, or bumps which can cause you to slip or trip. Tall grass can hide obstacles. Remove all objects such as rocks, tree limbs, etc., which could be tripped over or thrown by the blade.

SPECIFIED CONDITIONS OF USE

The cordless lawnmower is intended for outdoor use only.

The lawnmower is intended for lawn mowing at ground level. It is a pedestrian-controlled walk-behind lawnmower designed to be used with the self-propel feature.

The lawnmower should never be operated with the wheels off the ground. It should not be pulled or ridden on.

Do not use the product for any other purpose.

RESIDUAL RISK

Even when the product is used as prescribed, it is still impossible to completely eliminate certain residual risk factors. The following hazards may arise in use and the operator should pay special attention to avoid the following:

- injury caused by vibration
 - Hold the product by designated handles and restrict working time and exposure.
- hearing injury caused by exposure to noise
 - Restrict exposure and wear appropriate hearing protection
- injuries due to flying debris
 - Wear appropriate personal protective equipment, heavy long trousers, gloves, substantial footwear, and safety glasses, at all times.
- health hazards caused by breathing toxic dusts
 - Wear a mask if necessary.

BATTERIES

Battery packs that have not been used for some time should be recharged before use.

Temperatures in excess of 50°C reduce the performance of the battery pack. Avoid extended exposure to heat or sunshine (risk of overheating).

The contacts of the chargers and battery packs must be kept clean. For an optimum lifetime, the battery packs have to be fully charged after use.

To obtain the longest possible battery life, remove the battery pack from the charger once it is fully charged.

For battery pack storage longer than 30 days:

- Store the battery pack where the temperature is below 27°C and away from moisture.
- Store the battery packs in a 30% – 50% charged condition.
- Every six months of storage, charge the pack as normal.

Do not dispose of used battery packs in the household refuse or by burning them. MILWAUKEE distributors offer to retrieve old batteries to protect our environment.

Do not store the battery pack together with metal objects (short circuit risk).

Use only M18 System chargers for charging M18 System battery packs. Do not use battery packs from other systems.

Never break open battery packs and chargers, and store them only in dry rooms. Keep the battery packs and chargers dry at all times.

Battery acid may leak from damaged batteries under extreme load or extreme temperatures. In case of contact with battery acid, wash it off immediately with soap and water. In case of eye contact, rinse thoroughly for at least 10 minutes and immediately seek medical attention.

No metal parts must be allowed to enter the battery section of the charger (short circuit risk).

ADDITIONAL BATTERY SAFETY WARNINGS

⚠ WARNING! To reduce the risk of fire, personal injury, and product damage due to a short circuit, never immerse the product, battery pack, or charger in fluid or allow fluid to flow inside them. Corrosive or conductive fluids, such as seawater, certain industrial chemicals, and bleach or bleach-containing products, etc., can cause a short circuit.

BATTERY PACK PROTECTION

In extremely high torque, binding, stalling and short circuit situations that cause high current draw, the tool will vibrate for about 5 seconds, the fuel gauge flashes, and then the product turns off. To reset, release the trigger.

Under extreme circumstances, the internal temperature of the battery pack could raise too much. If this happens, the fuel gauge flashes until the battery pack cools down. After the lights go off, continue working.

TRANSPORTING LITHIUM BATTERIES

Lithium-ion batteries are subject to the Dangerous Goods Legislation requirements.

Transportation of those batteries has to be done in accordance with local, national, and international provisions and regulations.

- Batteries can be transported by road without further requirements.
- Commercial transport of lithium-ion batteries by third parties is subject to Dangerous Goods Regulations. Transport preparation and transport are exclusively to be carried out by appropriately trained persons and the process has to be accompanied by corresponding experts.

When transporting batteries:

- Ensure that the battery contact terminals are protected and insulated to prevent short circuit.
- Ensure that the battery pack is secured against movement within the packaging.
- Do not transport batteries that are cracked or leaking.

Check with the forwarding company for further advice.

FUNCTIONAL DESCRIPTION

1. Rear door
2. Rear lift handle
3. Fuel gauge
4. Height adjustment handle
5. Battery compartment
6. Front lift handle
7. LED headlights
8. Blades
9. Blade start/Power on button
10. Self-propel start/stop and variable speed paddle
11. Handle
12. Bail bar
13. Self-propel speed dial
14. Blade speed low/high button
15. LED headlights on/off button
16. Handle locking knobs
17. Handle adjustment knobs
18. Grass collector bag

19. Rear side discharge chute

20. Mulching plug

GENERAL MOWING TIPS

The run time of the battery depends on the condition, length, and density of the grass. Adjust the cutting height of the lawnmower to suit the current condition of the lawn.

For best performance, always cut off one-third or less of the total height of the grass.

When cutting long grass, reduce speed to allow for more effective cutting and a proper discharge of the clippings.

Do not cut wet grass, it will stick to the underside of the deck and prevent the proper collection or discharge of grass clippings.

New or thick grass may require a higher cutting height.

If you wish to collect the grass cuttings for disposal, remove the mulching plug and fit the grass collector bag, making sure that the top flap is properly closed. Empty the grass collector bag regularly; otherwise, the discharge chute becomes blocked with grass cuttings.

If you are making a light cut and wish for the grass cuttings to remain on the lawn, fit the mulching plug and close the top flap to cover the discharge opening. It is not necessary to fit the grass collector bag in this case.

The product is designed to operate and cut most effectively when moving forward.

A higher cutting height extends the run time of the battery pack.

CLEARING BLOCKAGES

Turn off the lawnmower and remove the battery pack. Make sure that all the moving parts have come to a complete stop.

Always wear heavy-duty gloves when checking or clearing a blockage.

The blades are sharp and the blockage itself could be a sharp object.

Remove the grass collector bag, check for and carefully clear obstructions.

Check the grass discharge chute for blockages and carefully clear it.

Turn the lawnmower on its side, check its underside, and the area around the blade. If any blockages are found, remove it carefully. Remember that the blade may move during cleaning.

TRANSPORTATION AND STORAGE

Use 2 people whenever it is necessary to lift or carry the product. The product is heavy. Lift with the legs, not the back.

Turn off the product, remove the battery, and allow it to cool before storing or transporting.

Remove all foreign materials from the product. Store the product in a cool, dry, and well-ventilated place that is inaccessible to children. Keep the product away from corrosive agents such as garden chemicals and de-icing salts. Do not store the product outdoors.

For transportation in vehicles, secure the product against movement or falling to prevent injury to persons or damage to the product.

ACCESSORY

MILWAUKEE ID. no.	Part
4932 4798 18	Mower blade 21 in/ 53 cm
4932 4798 19	Mower blade HP 21 in/ 53 cm
4932 4798 21	Lawnmower cover 21 in/ 53 cm

MAINTENANCE

Check the blade and all assembly and adjustment bolts and fasteners at frequent intervals for proper tightness.

Inspect the grass collector bag assembly frequently and replace with the recommended replacement if there are signs of wear or deterioration.

Do not wash the product with a hose. Avoid getting water in the product and electrical connections.

Disconnect the battery pack before maintenance, assembling, adjusting, cleaning, unclogging, or when the product is not in use.

Maintain the product with care. Keep cutting edges sharp and clean for best and safest performance.

Use identical MILWAUKEE replacement blades only.

Use caution when servicing the blades. Wrap the blades or wear gloves. Replace damaged blades. Do not repair or alter blades.

Use only the original manufacturer's replacement parts, accessories, and attachments. Failure to do so can cause possible injury, can contribute to poor performance, and may void your warranty.

Sharpen a dull blade equally at each end to maintain the balance.

Clean the blade thoroughly and check its balance by supporting it horizontally on a thin nail through its centre hole. The nail should also be in a horizontal position. If either end of the blade rotates downward, remove some metal from the heavy or lower end until the blade is balanced. It is balanced when neither end drops.

Replace the blade if it is bent or cracked. An unbalanced blade causes vibration that could damage the product or cause personal injury.

Use only MILWAUKEE accessories and MILWAUKEE spare parts. Should components that have not been described need to be replaced, contact one of our MILWAUKEE service centres (see our list of guarantee or service addresses).

If needed, an exploded view of the product can be ordered. State the product type and the serial number on the label, and order the drawing at your local service centres.

SYMBOLS



Read the instructions carefully before starting the product.



CAUTION! WARNING! DANGER!



Remove the battery pack before starting any work on the product.



Always wear goggles when using the product.



Wear ear protectors.



Wear gloves.



Wear long trousers.



Wear safety footwear.



Read and understand all the instructions before operating the product. Follow all warnings and safety instructions.



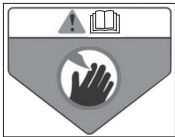
WARNING! Beware of thrown objects – keep bystanders away.



WARNING! Keep hands and feet away from the blades. Disconnect battery before maintenance.



CAUTION! Lifting hazard. May result in injury.
Do not stare at the operating lamp.



DANGER! Keep hands and feet away.



Crush hazard



Do not expose the product to rain.



Mow across slopes, not up and down. Do not operate on inclines greater than 15°.



Do not operate the product in rain or wet conditions.



Use two people to lift or carry the mower. Lift with legs, not back.



The guaranteed sound power level is 96 dB.



Risk of electric shock



Do not wash the product with a hose. Avoid getting water in mower and electrical connections.



Start blade button



Blade speed low/high button



Headlights ON/OFF button



Higher max speed



Lower max speed



Two M18 batteries are required.



Accessory - Not included in standard equipment, available as an accessory.

n_0

No-load speed

V

Voltage



Direct current



Do not dispose electric tools, batteries/rechargeable batteries together with household waste material. Electric tools and batteries that have reached the end of their life must be collected separately and returned to an environmentally compatible recycling facility.

Check with your local authority or retailer for recycling advice and collection point.

技術數據		M18 F2LM53
類型	電動自行式割草機	
電池電壓	36 V (2 x 18 V) ---	
刀片速度 低/高	2800 / 3300 min ⁻¹	
自行駛速度		
速度1	0 - 2.5 km/h	
速度2	0 - 3.5 km/h	
速度3	0 - 4.5 km/h	
速度4	0 - 5.5 km/h	
速度5	0 - 6.5 km/h	
割草機甲板尺寸	533 mm	
切割高度範圍	25 - 100 mm	
捕草器容量	70 l	
根據EPTA-Procedure 01/2014的重量 (2 x 12.0 Ah)	38.5 kg	
保護等級	IPX4	
建議環境操作溫度	-18 - +50 ° C	
推薦的電池類型	2 x M18B... , M18 HB...	
推薦充電器	M12-18... , M18 DFC	
噪音資訊		
噪聲釋放值根據EN 62841確定。		
A加權聲壓量	75.8 dB (A)	
不確定性的測量 K	3.0 dB (A)	
A加權功率級	93.8 dB (A)	
不確定性的測量 K	3.0 dB (A)	
務必佩戴防護耳罩。		
振動資訊		
依EN 62841所測的振動總值 (三軸向量總和)。		
振動釋放值 a _w	12.7 m/s ²	
不確定性的測量 K	1.5 m/s ²	

A 警告!

本說明書所提供的振動等級是依 EN 62841 標準化測試所測得，且可能用於與另一個工具進行比較。該等級可用來初步評估風險。宣告的振動釋放等級代表的是本工具的主要應用。然而，如果用於不同的應用、使用不同的配件或保養不當，振動釋放也可能不同。這可能會在總工作時間上顯著增加風險等級。

評估振動暴露的等級還應考慮本工具開機時的時間，或當工具運轉但卻未實際使用的時間。這可能會明顯降低總工作期間的風險等級。請確認額外的安全措施，以保護操作員不受振動的影響，例如：保養產品與配件、保持手部溫暖和井然有序的工作方式。

A 警告! 閱讀及了解所有安全警告和說明。不遵循這些警告和說明會導致電擊、火災和/或嚴重傷害。

將所有警告和說明保存好，方便以後查閱。

割草機安全警告

請勿在惡劣天氣條件下 (尤其是存在雷擊危險時) 使用割草機。這有助降低了遭受雷擊的風險。

徹底檢查將要在野生動植物地區使用的割草機。在操作過程中，本產品可能會傷害野生動物。

徹底檢查割草機使用的表面，並清除所有石塊、木棒、電線、骨頭及其他異物。投擲的物體可能會造成人身傷害。

使用割草機前，請務必目視檢查刀片及刀具組件是否磨損或損壞。磨損或損壞的零件會增加受傷的風險。

經常檢查捕草器是否磨損或變質。磨損或損壞的捕草器可能會增加人身傷害的風險。

保持護罩就位。護罩必須處於正常工作狀態，並且必須正確安裝。鬆動、損壞或無法正常工作的護罩可能導致個人傷害。

保持所有冷卻的進氣口清潔。進氣口和雜物阻塞可能會導致過熱或火災危險。

操作割草機時，務必穿著防滑和防護鞋。赤腳或穿著涼鞋時，切勿使用割草機。這樣可以減少因接觸移動中的刀具而造成腳部受傷的機會。

當操作產品時，務必穿著長褲。暴露的皮膚會增加被拋出物體受傷的可能性。

切勿在濕草上使用割草機。只可步行，不要奔跑。這樣可以減少因滑倒和跌倒的危險而可能導致的人身傷害。

請勿在過於陡峭的斜坡上操作割草機。這樣可以降低失去控制，滑倒和掉落的風險，從而減低因此所致的人身傷害。

在斜坡上操作時，務必確定自己的立足點，務必在斜坡上工作，切勿向上或向下，並且在改變方向時要格外小心。這樣可以降低失去控制，滑倒和掉落的風險，從而減低因此所致的人身傷害。

當向後或向著您拉動割草機時，要特別小心。時刻注意您周圍的環境。這降低了操作期間跳開的風險。

當刀片和其他危險的運動部件仍在運動時，請勿觸摸它們。這降低了運動部件造成傷害的風險。

清除卡住的材料或清潔割草機時，請確保所有電源開關均已關閉且電池組已斷開連接。割草機的意外操作可能會導致嚴重的人身傷害。

碰到異物或本產品開始異常振動時，請立即停止本產品。

取出電池組並確保所有運動部件完全停止：

- 撞擊異物後，請檢查產品是否損壞並進行維修，然後再重新啟動和操作產品。
- 當產品開始異常振動時，請立即檢查是否有損壞、更換或修理損壞的部件，並檢查並拧紧任何鬆動的部件。

其他安全和工作說明

除非集草袋、覆蓋塞或後側排放裝置安裝正確且功能正常，否則請勿操作本產品。經常檢查是否有磨損或變質的跡象，並根據需要進行更換。

確保安全裝置（側門、卸料附件、提環等）安裝到位，並處於良好工作狀態。

進行割草前，檢查要割草的區域，並且清除異物。清除所有石頭、棍棒、電線、骨頭和其他異物。慎防拋出的物體。被割草機刀片撞擊的物體可能會被拋出，並導致嚴重傷害和/或產品損壞。

啟動產品前，請先解除自行走動功能。

在割草機運行時，切勿嘗試調整車輪高度。

切勿將產品暴露在水中或在濕地上操作。請勿在雨中使用本產品。

保持手和腳遠離刀片。不要捉碰刀片防護罩下面。務必遠離排放口。不要將排放材料指向任何人。避免向牆壁或障礙物排放材料。材料可能會彈回操作員。

在向後移動時或之前，要向下及向後看。除非絕對必要，否則不要反向修剪。

務必確保立足點。牢牢抓住把手並行走，切勿奔跑。

避免孔洞、車轍、顛簸、岩石或其他隱患。不平坦的地形可能會傾覆產品，或導致操作員失去平衡或立足點。

在穿越礫石車道、步行或道路時停止鏟刀。關閉電機並等待刀片完全停止，然後再卸下集草器或疏通斜槽。

不要讓正在運行的產品無人看管。務必停在水平地面上並關閉產品。

使用過程中，關閉電池蓋。

LED 大燈打開時不要盯著操作燈。

不要讓兒童、身體、感覺或精神能力下降的人員或缺乏經驗及知識的人，或不熟悉這些指示的人使用機器。當地法規可能會限制操作員的年齡。

慎防拋出的物體。讓所有旁觀者、兒童和動物至少距離工作區域30米。

切勿在光線不足的情況下進行操作產品。操作者需要清晰視線的工作區域，以識別潛在的危險。

每次使用前，檢查產品。檢查緊固件的鬆動等。確保所有防護裝置和把手皆正確安全地連接。使用前更換損壞的部件。檢查電池是否有洩漏。

切勿以任何方法更改本產品。

切勿讓兒童或未經培訓的人員使用本產品。

在操作產品時，須佩戴全面的眼部和聽力的保護裝置。如果於有物體掉落危機的地方工作，請戴上適當的頭部保護裝置。

束起長髮，使其高於肩膀水平，以防止纏結於運動部件。

切勿在疲勞、生病或受酒精、藥物或治療影響下使用本產品。

時刻注意立足點和身體平衡。切勿伸展太遠。伸展太遠會導致失衡或暴露於熱的表面。

切勿讓產品傾斜下啟動。

對產品進行任何工作前，先移除電池。

斜坡操作

請勿在大於 15° 的斜坡上操作。穿過斜坡割草，而不是向上及向下。

在斜坡上操作會增加滑倒和跌倒的風險，這可能會導致重傷。

在斜坡上操作需要格外小心。如果您在斜坡上感到不安，切勿割草。

務必確保您的立足點。滑倒會導致嚴重的人身傷害。如果您覺得自己失去平衡，請立即鬆開把手桿。

在斜坡上改變方向時要格外小心。避免在斜坡上啟動和停止。避免突然改變速度或方向。慢慢地、逐漸地轉彎。

在靠近下降點的地方操作時要小心。

請勿在牽引、轉向或穩定性有問題的任何條件下操作產品。即使車輪停止，輪胎也可能滑動。

下坡時務必控制產品。不要滑下坡。

使用捕草器操作產品時要格外小心。沉重的捕草器會影響產品的穩定性。

注意可能導致您滑倒或絆倒的洞、車轍、岩石、隱藏的物體或顛簸。長得高的草可以隱藏障礙物。清除所有可能被刀片絆倒或拋出的物體，例如岩石、樹枝等。

特定使用條件

電動割草機只適合在室外使用。

割草機適用於在地面割草。它是一種由行人控制的手推式割草機，旨在與自走功能一起使用。

切勿在輪子離地的情況下操作割草機。它不應該被拉扯或騎在上面。

請勿將本產品用於任何其他目的。

殘餘風險

即使已按規定使用產品，仍然不可能完全消除某些殘留的風險因素。使用時可能會出現以下危險，操作人員應特別注意以下事項：

- 振動引起的損傷
 - 用指定的把手握住產品，並限制工作時間的長短及暴露。
- 因接觸噪聲導致聽力傷害
 - 限制接觸時間的長短和佩戴適當的聽力保護設備。
- 因外來碎片而受傷
 - 務必每刻都穿戴適當的個人防護設備，厚的長褲、手套、堅固的鞋類和安全眼鏡。
- 因吸入有毒的粉塵所導致的健康危害
 - 必要時可佩戴防護面罩。

電池

久未使用的電池必須重新充電後再使用。

超過50°C的高溫會降低電池的效能。避免暴露於高溫或陽光下(可能導致過熱)。

充電器和電池組的接點處應保持清潔。

為確保最佳電池使用壽命，電池組使用後應再完全充電。

為確保電池的最長壽命，充電完成後，勿將電池匣繼續留在充電器上。

電池儲存時間長於30日：

- 將電池組存放於溫度低於27°C的環境，且避免受潮；
- 將電池組保持在充電量30%-50%的狀態
- 存放中的電池組應每六個月照常充電一次。

勿將用過的電池組與家庭廢棄物混合或燃燒電池。MILWAUKEE經銷商提供舊電池回收，以保護我們的環境。

勿將電池組與其他金屬物品一起存放（可能引起短路）。

僅可使用M18系統充電器對M18系統電池進行充電。請勿使用其他系統的電池。

不可拆開電池和充電器。電池和充電器必須儲藏在乾燥的空間，勿讓濕氣滲入。必須經常保持乾燥。

在極端負載或極端溫度下，損壞的電池可能漏出內部酸液。若碰觸到電池酸液，請即刻用肥皂與清水洗去。若酸液接觸到眼睛，以清水沖洗至少10分鐘後立即就醫。

切勿讓金屬部份接觸充電器的電池部份（有短路危機）。

附加電池安全警告

▲ 警告！為了減少因短路而導致火災、人身傷害和產品損壞的風險，請勿將工具、電池組或充電器浸沒在流體中或使流體流入其中。腐蝕性或導電性流體（如海水、某些工業化學品、以及漂白劑或含漂白劑的產品等）都會導致短路。

電池過載保護

因一些諸如極高的扭力、外物附著、突然停機和線路短路發生的情況下，會導致高電流消耗此等情況下，產品將振動約5秒，電池燈閃爍，然後產品將停止及關閉。如要重置，鬆開扳機。

在極端情況下，電池組內部的溫度可能變高。如果發生這種情況，電池燈會閃爍直至電池冷卻下來。燈熄滅後，可以繼續工作。

運輸鋰電池

鋰離子電池須受制於危險品法例的要求。

運送鋰電池必須在符合當地、國家及國際標準及法例的情況下進行。

- 使用者可於陸地上運送電池而毋須受限；
- 第三方負責的商業式鋰電池運送須受制於危險品法例。運送的預備及過程必須由受專業訓練的人士進行，亦必須得到專家在場監管。

運送電池時：

- 請確保電池接觸終端受到嚴密保護及經過絕緣，防止短路；
- 請確保電池組妥善包裝，防止碰撞磨擦；
- 切勿運送已有裂痕或已有洩漏的電池。

建議與速遞公司緊密聯繫以獲得進一步資訊。

功能說明

1. 後門
2. 後提升把手
3. 電量計
4. 高度調節把手
5. 電池倉
6. 前提升把手
7. LED大燈
8. 刀片
9. 刀片啟動/開機按鈕
10. 自程式啟停和變速莖
11. 把手
12. 把手桿
13. 自程式變速莖
14. 刀片速度低/高按鈕
15. LED 大燈開/關按鈕
16. 把手鎖定旋鈕
17. 把手調節旋鈕
18. 集草袋
19. 後側卸料槽
20. 覆蓋蓋

一般修剪技巧

電池的運行時間取決於草的狀況、長度和密度。調整割草機的切割高度以適應當前的草坪狀況。

為了獲得最佳性能，請務必剪掉草總高度的三分之一或更少。

修剪長草時，請降低速度以進行更有效的修剪並正確排出剪草。

不要剪濕草，它會粘在甲板的下面，妨礙草屑的正確收集或排放。

新草或厚草可能需要更高的修剪高度。

如果您希望收集草屑進行處理，請取下覆蓋蓋並安裝集草袋，確保頂部翻蓋正確關閉。定期清空集草袋；否則，卸料槽會被草屑堵塞。

如果您進行輕割並希望草屑留在草坪上，請安裝覆蓋蓋並關閉頂部翻蓋以覆蓋排放口。在這種情況下沒有必要安裝集草袋。

本產品旨在在前進時最有效地操作和切割。

更高的切割高度延長了電池組的運行時間。

清理堵塞

關閉割草機，並取出電池組。確保所有運動部件都完全停止。

檢查或清除堵塞時，請務必戴上重型手套。

刀片很鋒利，堵塞物本身可能是鋒利的物體。

取出集草袋，檢查並仔細清除障礙物。

檢查排草卸料槽是否堵塞，並仔細清除。

將割草機側放，檢查其底面和刀片周圍的區域。如果發現任何堵塞，請小心地將其清除。請記住，清潔期間刀片可能會移動。

運輸與存放

需要 2 人抬起或搬運產品時。產品很重。用腿抬起，而不是背部。

關閉產品，取出電池，並在儲存或運輸前讓其冷卻。

清除產品中的所有異物。將產品存放在兒童無法接觸到的陰涼、乾燥和通風良好的地方保持產品遠離腐蝕劑，如園藝化學品和除冰鹽。請勿將產品存放在室外。

使用車輛運輸時，請確保產品不會移動或掉落，以防止人員受傷或產品損壞。

配件

MILWAUKEE ID. 號碼	部件
4932 4798 18	割草機刀片 21 英寸/53 厘米
4932 4798 19	割草機刀片 HP 21 英寸/53 厘米
4932 4798 21	割草機袋 21 英寸/53 厘米

維護

經常檢查刀片以及所有裝配和調整螺栓和緊固件是否緊固。

經常檢查集草袋組件，如果有磨損或變質的跡象，請使用推薦的更換件進行更換。

請勿使用軟管清洗產品。避免產品和電氣連接進水。

在維修、組裝、調整、清潔、疏通或不使用產品時，請斷開電池組。

小心保養產品。保持切割邊緣鋒利和清潔，以獲得最佳和最安全的性能。

使用相同的 MILWAUKEE 替換刀片。

維修刀片時要小心。包裹刀片或戴上手套。更換損壞的刀片。不要修理或改變刀片。

僅使用原始製造商的更換零件、配件和附件。不遵從做法可能會導致可能的傷害，可能導致性能下降，並可能使您的保修失效。

在兩端均勻地磨銳鈍刀片以保持平衡。

徹底清潔刀片，用它的中心孔支撐在細釘上以檢查它的平衡。釘子也應處於水平位置。如果刀片的其中一端向下旋轉，請從重端或下端移除一些金屬，直到刀片平衡。當兩端都沒有下降時，它是平衡的。

如果刀片彎曲或破裂，請更換刀片。不平衡的刀片會引起振動，從而可能損壞產品或造成人身傷害。

只能使用MILWAUKEE配件和備件。如果需要更換的組件在此沒有介紹，請與其中一個MILWAUKEE服務代理機構聯繫（參見我們的維修/服務地址列表）。

如果需要，可以訂購產品的分解圖。諮詢案件時，請您向當地的顧客服務中心提供以下資料：銘牌上的產品號碼及機型。

符號



啟動產品前，請仔細閱讀本說明。



注意！警告！危險！



對產品進行任何工作前，先移除電池。



使用本產品時務必佩戴護目鏡。



務必佩戴防護耳罩。



佩戴手套。



穿著長褲。



穿安全鞋。



在操作產品前，閱讀及了解所有安全警告和說明。遵照所有警告和安全說明。



警告！慎防拋出的物體 - 讓所有旁觀者遠離。



警告！保持手和腳遠離刀片。維修前，斷開電池。



注意！舉起危險。可能導致受傷。請勿緊訂運作中工作燈。



危險！保持手腳遠離。



擠壓危險



切勿將產品暴露在雨中。



穿過斜坡割草，而不是向上及向下。請勿在大於 15° 的斜坡上操作。



請勿在雨天或潮濕環境中操作本產品。



由兩個人抬起或搬運割草機。用腿抬起，而不是背部。



此標籤上顯示認證的聲壓率級為96 dB。



存在觸電危險。



請勿使用軟管清洗產品。避免割草機和電氣連接進水。



啟動刀片按鈕



刀片速度低/高按鈕



LED 大燈開/關按鈕



更高最大速度



降低最大速度



需要2個 M18 電池。



配件 - 不在標配設備中，可作為配件供應。

n_0

無負載轉速

V 電壓

== 直流電



勿將用過的電動工具、電池/充電電池與家庭廢棄物混合。當電動工具和電池達到使用壽命時，必須單獨收集，並送至環保回收機構。請與當地相關部門或經銷商聯繫，了解回收建議和收集地點。

类型	电动自行式割草机
电池电压	36 V (2 x 18 V) ---
刀片速度 低/高	2800 / 3300 min ⁻¹
自行行驶速度	
速度1	0 - 2.5 km/h
速度2	0 - 3.5 km/h
速度3	0 - 4.5 km/h
速度4	0 - 5.5 km/h
速度5	0 - 6.5 km/h
割草机甲板尺寸	533 mm
切割高度范围	25 - 100 mm
捕草器容量	70 l
根据EPTA-Procedure 01/2014的重量 (2 x 12.0 Ah)	38.5 kg
保护等级	IPX4
建议环境操作温度	-18 - +50 °C
推荐的电池类型	2 x M18B... , M18 HB...
推荐充电器	M12-18... , M18 DFC
噪音信息	
噪声释放值根据EN 62841确定。	
A-值音压值	75.8 dB(A)
不确定性的测量 K	3.0 dB(A)
A-值声功率值	93.8 dB(A)
不确定性的测量 K	3.0 dB(A)
务必佩戴防护耳罩。	
振动信息	
依欧盟EN 62841 标准确定的振动总值 (三方向矢量和)。	
振动值 a _v	12.7 m/s ²
不确定性的测量 K	1.5 m/s ²

A 警告!

本规程列出的依 EN 62841 标准测量方法测量的振动级也可用于电动工具比较并适合于临时振动负荷估计。该等级可用来初步评估风险。该振动级代表电动工具的主要应用。电动工具的其他应用，不正确的工具附件或欠缺维护可造成振动级偏差。此可明显提高工作期间的振动程度。

正确地估计一定工作期间的振动程度也要考虑到产品关闭或接通而不使用的期间。此可明确减少总工作期间的振动程度。

为提高操作人员对振动作用的保护得规定补充安全措施：产品及工具附件的维护、温手、工作过程组织等。

A 警告！阅读并了解所有安全警告和说明。不遵循这些警告和说明会导致电击、火灾和/或严重伤害。

保存好所有警告和说明书以备查阅。

割草机安全警告

请勿在恶劣天气条件下（尤其是存在雷击危险时）使用割草机。这有助降低了遭受雷击的风险。

彻底检查将要在野生动植物地区使用的割草机。在操作过程中，本产品可能会伤害野生动物。

彻底检查割草机使用的表面，并清除所有石块、木棒、电线、骨头及其他异物。投掷的物体可能会造成人身伤害。

使用割草机前，请务必目视检查刀片及刀具组件是否磨损或损坏。磨损或损坏的零件会增加受伤的风险。

经常检查捕草器是否磨损或变质。磨损或损坏的捕草器可能会增加人

身伤害的风险。

保持护罩就位。护罩必须处于正常工作状态，并且必须正确安装。松动、损坏或无法正常工作的护罩可能导致个人伤害。

保持所有冷却的进气口清洁。进气口和杂物阻塞可能会导致过热或火灾危险。

操作割草机时，请始终穿着防滑和防护鞋。赤脚或穿着凉鞋时，切勿使用割草机。这样可以减少因接触移动中的刀具而造成脚部受伤的机会。

当操作产品时，务必穿着长裤。暴露的皮肤会增加被抛出物体受伤的可能性。

切勿在湿草上使用割草机。只可步行，不要奔跑。这样可以减少因滑倒和跌倒的危险而可能导致的人身伤害。

请勿在过于陡峭的斜坡上操作割草机。这样可以降低失去控制，滑倒和掉落的风险，从而减低因此所致的人身伤害。

在斜坡上操作時，務必確定自己的立足點，務必在斜坡上工作，切勿向上或向下，並且在改變方向時要格外小心。这样可以降低失去控制，滑倒和掉落的风险，从而减低因此所致的人身伤害。

当向后或向着您拉割草机时，要特别小心。时刻注意你周围的环境。这降低了操作期间跳回的风险。

当刀片和其他危险的运动部件仍在运动时，请勿触摸它们。这降低了运动部件造成伤害的风险。

清除卡住的材料或清洁割草机时，请确保所有电源开关均已关闭且电池组已断开连接。割草机的意外操作可能会导致严重的人身伤害。

碰到异物或本产品开始异常振动时，请立即停止本产品。

取出电池组并确保所有运动部件完全停止：

- 撞击异物后，请检查产品是否损坏并进行维修，然后再重新启动和操作产品。
- 当产品开始异常振动时，请立即检查是否有损坏、更换或修理损坏的部件，并检查并拧紧任何松动的部件。

其他安全和工作说明

除非集草袋、覆盖塞或后侧排放装置安装正确且功能正常，否则请勿操作本产品。经常检查是否有磨损或变质的迹象，并根据需要进行更换。

确保安全装置（后门、卸料附件、提环等）安装到位，并处于良好工作状态。

进行割草前，检查要割草的区域，并且清除异物。清除所有石头、棍棒、电线、骨头和其他异物。谨防抛出的物体。被割草机刀片撞击的物体可能会被抛出，并导致严重伤害和/或产品损坏。

启动产品前，请先解除自行走动功能。

在割草机运行时，切勿尝试调整车轮高度。

切勿将产品暴露在水中或在湿地上操作。请勿在雨中使用本产品。

保持手和脚远离刀片。不要碰触刀片防护罩下面。务必远离排放口。不要将排放材料指向任何人。避免向墙壁或障碍物排放材料。材料可能会弹回操作员。

在向后移动时或之前，要向下及向后看。除非绝对必要，否则不要反向修剪。

务必确保立足点。牢牢抓住把手并行走，切勿奔跑。

避免孔洞、车辙、颠簸、岩石或其他隐患。不平坦的地形可能会倾覆产品，或导致操作员失去平衡或立足点。

在穿越砾石车道、步行或道路时停止铲刀。关闭电机并等待刀片完全停止，然后再卸下集草器或疏通斜坡。

不要让正在运行的产品无人看管。务必停在水平地面上并关闭产品。使用过程中，关闭电池盖。

LED 大灯打开时不要盯着操作灯。

不要让儿童、身体、感觉或精神能力下降的人员或缺乏经验及知识的人，或不熟悉这些指示的人使用机器。当地法规可能会限制操作员的年龄。

慎防抛出的物体。让所有旁观者、儿童和动物至少距离工作区域30米。

切勿在光线不足的情况下进行操作产品。操作者需要清晰视线的作业区域，以识别潜在的危险。

每次使用前，检查产品。检查紧固件的松动等。确保所有防护装置和把手皆正确安全地连接。使用前更换损坏的部件。检查电池是否有泄漏。不要以任何方式修改产品。

切勿让儿童或未经培训的人员使用本产品。

在操作产品时，须佩戴全面的眼睛和听力保护装置。如果于有物体掉落危机的地方工作，请戴上适当的头部保护装置。

束起长发，使其高于肩膀水平，以防止缠结于运动部件。

切勿在疲劳，生病或受酒精，药物或治疗影响下使用本产品。

时刻注意立足点和身体平衡。切勿伸展太远。伸展太远会导致失衡或暴露于热的表面。

切勿让产品倾斜下启动。

在产品上开始任何工作之前，请先取出电池组。

斜坡操作

请勿在大于 15° 的斜坡上操作。穿过斜坡割草，而不是向上及向下。

在斜坡上操作会增加滑倒和跌倒的风险，这可能会导致重伤。

在斜坡上操作需要格外小心。如果您在斜坡上感到不安，切勿割草。务必确保您的立足点。滑倒会导致严重的人身伤害。如果您觉得自己失去平衡，请立即松开把手。

在斜坡上改变方向时要格外小心。避免在斜坡上启动和停止。避免突然改变速度或方向。慢慢地、逐渐地转弯。

在靠近下降点的地方操作时要小心。

请勿在牵引、转向或稳定性有问题的任何条件下操作产品。即使车轮停止，轮胎也可能滑动。

下坡时务必控制产品。不要滑下坡。

使用捕草器操作产品时要格外小心。沉重的捕草器会影响产品的稳定性。

注意可能导致您滑倒或绊倒的洞、车辙、岩石、隐藏的物体或颠簸。长得高的草可以隐藏障碍物。清除所有可能被刀片绊倒或抛出的物体，例如岩石、树枝等。

特定使用条件

电动割草机只适合在室外使用。

割草机适用于在地面割草。它是一种由行人控制的手推式割草机，旨在与自走功能一起使用。

切勿在轮子离地的情况下操作割草机。它不应该被拉扯或骑在上面。

请勿将本产品用于任何其他目的。

其他风险

即使产品按规定使用，依然无法完全消除某些剩余风险因素。使用过程中可能出现以下危险，操作者应注意避免：

- 振动引起的损伤
 - 用指定的手柄握住产品，并限制工作时间和暴露。
 - 因接触噪声导致听力伤害
 - 限制接触时长并佩戴合适的听力防护设备。
- 因外来碎片而令眼睛受伤
 - 务必每刻都穿戴适当的个人防护设备，厚的长裤、手套、坚固的鞋类和安全眼镜。
- 吸入有毒的粉尘而导致的健康危险
 - 在必要的情况下请佩戴防护面具。

电池

长期存放的电池必须先充电再使用。

超过 50° C 的高温会降低电池组的效能。避免暴露于高温或阳光下（可能导致过热）。

充电器和电池组的接口处应保持清洁。

为获得最长寿命，使用后应将电池充满电。

为确保最长使用寿命，充电后应将电池从充电器中取出。

电池储藏时间大于30天的存放要求：

- 环境温度低于 27°C 的阴凉干燥处存放电池；
- 电池状态为 30%-50% 电量下存储电池；
- 每 6 个月给电池充电 1 次。

用过的电池组不可以丢入火中或一般的家庭垃圾中。美沃奇经销商提供旧电池回收，以保护我们的环境。

电池组不可以和金属物体存放在一起（可能产生短路）。

M18 系列的电池组只能和 M18 系列的充电器配合使用。不可以使用其他

系列的电池。

不可拆开电池和充电器。电池和充电器必须储藏在干燥的空间，勿让湿气渗入。必须经常保持干燥。

在过度超荷或极端的温度下，可能从损坏的电池组中流出液体。如果触摸了此液体，必须马上使用肥皂和大量清水冲洗。如果此类液体侵入眼睛，马上用清水彻底清洗眼睛（冲洗至少10分钟），接着即就医治疗。

切勿让金属部分接触充电器的电池部份（有短路危机）。

附加电池安全警告

警告！为了减少因短路而导致火灾、人身伤害和产品损坏的风险，请勿将工具、电池组或充电器浸没在流体中或使流体流入其中。腐蚀性或导电性流体（如海水、某些工业化学品、以及漂白剂或含漂白剂的产品等）都会导致短路。

电池超载保护

因一些诸如极高的扭矩、外物附着、突然停机和线路短路发生的情况下，会导致高电流消耗。此等情况下，产品将振动约5秒，电池灯闪烁，然后产品将停止及关闭。如要重置，松开扳机。

在这种情况下，电池的内部温度可能会变高。如果发生这种情况，电池将关闭。如果发生这种情况，电池灯会闪烁，直至电池冷却下来。灯熄灭后，可以继续工作。

锂电池的运输

锂电池属于危险货品并受制于危险货物运输条例。

此电池的运输必须遵守地方、国家和国际法律规定。

- 用户在公路上运输此电池组不遵守特殊规定；
- 锂电池的商业性运输受制于危险货物运输条例的规定。运输准备和运输必须由受过专业培训的人员进行。全程必须由专业人员监督。

运输电池时必须注意到下列事项：

- 为避免短路，必须确保电池接点的防护和绝缘；
- 确保包装中的电池包不会滑动；
- 严禁运输已损坏或已产生泄漏的电池。

更多运输建议请联系运输公司。

功能说明

1. 后门
2. 后提升把手
3. 电量计
4. 高度调节把手
5. 电池仓
6. 前提升把手
7. LED大灯
8. 刀片
9. 刀片启动/开机按钮
10. 自行式启停和变速桨
11. 把手
12. 把手杆
13. 自行式变速桨
14. 刀片速度低/高按钮
15. LED 大灯开/关按钮
16. 把手锁定旋钮
17. 把手调节旋钮
18. 集草袋
19. 后侧卸料槽
20. 覆盖塞

一般修剪技巧

电池的运行时间取决于草的状况、长度和密度。调整割草机的切割高度以适应当前的草坪状况。

为了获得最佳性能，请务必剪掉草总高度的三分之一或更少。

修剪长草时，请降低速度以进行更有效的修剪并正确排出剪草。

不要剪湿草，它会粘在甲板的下面，妨碍草屑的正确收集或排放。

新草或厚草可能需要更高的修剪高度。

如果您希望收集草屑进行处理，请取下覆盖盖并安装集草袋，确保顶部翻盖正确关闭。定期清空集草袋；否则，卸料槽会被草屑堵塞。

如果您进行轻割并希望草屑留在草坪上，请安装覆盖盖并关闭顶部翻盖以覆盖排放口。在这种情况下没有必要安装集草袋。

本产品旨在在前进时最有效地操作和切割。

更高的切割高度延长了电池组的运行时间。

清理堵塞

关闭割草机，并取出电池组。确保所有运动部件都完全停止。

检查或清除堵塞时，请务必戴上重型手套。

刀片很锋利，堵塞物本身可能是锋利的物体。

取出集草袋，检查并仔细清除障碍物。

检查排草卸料槽是否堵塞，并仔细清除。

将割草机侧放，检查其底面和刀片周围的区域。如果发现任何堵塞，请小心地将其清除。请记住，清洁期间刀片可能会移动。

运输与存放

需要 2 人抬起或搬运产品时。产品很重。用腿抬起，而不是背部。

关闭产品，取出电池，并在储存或运输前让其冷却。

清除产品中的所有异物。将产品存放在儿童无法接触到的阴凉、干燥和通风良好的地方。保持产品远离腐蚀性，如园艺化学品和除冰盐。请勿将产品存放在室外。

使用车辆运输时，请确保产品不会移动或掉落，以防止人员受伤或产品损坏。

附件

美沃奇ID. 号码	部件
4932 4798 18	割草机刀片 21 英寸/53 厘米
4932 4798 19	割草机刀片 HP 21 英寸/53 厘米
4932 4798 21	割草机袋 21 英寸/53 厘米

维护

经常检查刀片以及所有装配和调整螺栓和紧固件是否紧固。

经常检查集草袋组件，如果有磨损或变质的迹象，请使用推荐的更换件进行更换。

请勿使用软管清洗产品。避免产品和电气连接进水。

在维修、组装、调整、清洁、疏通或不使用产品时，请断开电池组。

小心保养产品。保持切割边缘锋利和清洁，以获得最佳和最安全的性能。

使用相同的美沃奇替换刀片。

维修刀片时要小心。包裹刀片或戴上手套。更换损坏的刀片。不要修理或改变刀片。

仅使用原始制造商的更换零件、配件和附件。不遵从做法可能会导致可能的伤害，可能导致性能下降，并可能使您的保修失效。

在两端均匀地磨锐钝刀片以保持平衡。

彻底清洁刀片，用它的中心孔支撑在细钉上以检查它的平衡。钉子也应处于水平位置。如果刀片的其中一端向下旋转，请从重端或下端移除一些金属，直到刀片平衡。当两端都没有下降时，它是平衡的。

如果刀片弯曲或破裂，请更换刀片。不平衡的刀片会引起振动，从而可能损坏产品或造成人身伤害。

只能使用美沃奇的附件和零件。如果需要更换未描述的组件，请联系我们的美沃奇服务代理（请参阅我们的认可/维修的地址列表）。

如果需要，可以索取产品的分解图。在标签上注明产品类型和序列号，然后在当地服务中心订购图纸。

符号



启动产品前，请仔细阅读本说明书。



注意！警告！危险！



在产品上开始任何工作之前，请先取出电池组。



使用本产品时必须佩戴护目镜。



务必佩戴防护耳罩。



佩戴手套。



穿着长裤。



穿安全鞋。



在操作产品前，阅读及了解所有安全警告和说明。遵照所有警告和安全说明。



警告！慎防抛出的物体 - 让所有旁观者远离。



警告！保持手和脚远离刀片。维修前，断开电池。



注意！举起危险。可能导致受伤。不要盯着正在使用的灯具。



危险！保持手脚远离。



挤压危险



请勿将本产品暴露在雨中。



穿过斜坡割草，而不是向上及向下。请勿在大于 15° 的斜坡上操作。



请勿在雨天或潮湿环境中操作本产品。



由两个人抬起或搬运割草机。用腿抬起，而不是背部。



此标签上显示认证的音量值为96 dB。



存在触电危险。



请勿使用软管清洗产品。避免割草机和电气连接进水。



启动刀片按钮



刀片速度低/高按钮



LED 大灯开/关按钮



更高最大速度



降低最大速度



需要2个 M18 电池。



附件 - 不包在标配设备中，可作为附件供应。

n_0

空载转速

V 电压

 直流电



勿将用过的电动工具、电池/充电电池与家庭废弃物混合。当电动工具和电池达到使用寿命时，必须单独收集，并送至环保回收机构。请与当地主管部门或经销商联系，了解回收建议和收集地点。

기술 데이터		M18 F2LM53
유형		무선 자주식 잔디깎이
배터리 전압		36 V (2 x 18 V) ---
저속 / 고속		2800 / 3300 min ⁻¹
자주식 주행 속도		
속도 1		0~2.5km/h
속도 2		0~3.5 km/h
속도 3		0~4.5 km/h
속도 4		0~5.5 km/h
속도 5		0~6.5 km/h
데크 크기		533 mm
절단 높이 범위		25 - 100 mm
풀밭이 용량		70 l
EPTA 규정 01/2014에 따른 중량(리튬-이온 2 x 12.0 Ah)		38.5 kg
보호 등급		IPX4
권장 주변 작동 온도		-18 - +50 °C
권장 배터리 팩		2 x M18B...., M18 HB...
권장 충전기		M12-18...., M18 DFC
소음 정보		
EN 62841에 따라 결정되는 소음 방출 값.		
가중치 음압 레벨		75.8 dB(A)
불확정성 K		3.0 dB(A)
가중치 음향 파워 레벨		93.8 dB(A)
불확정성 K		3.0 dB(A)
귀마개를 착용하십시오!		
진동 정보		
EN 62841에 따라 판별한 전체 진동 값(3개 축의 벡터 합계)		
진동 방출 값 a _h		12.7 m/s ²
불확정성 K		1.5 m/s ²

⚠ 경고!

이 지침 설명서에 표시되어 있는 진동 총 수치와 소음 방출 수치는 EN 62841에 나와 있는 표준화된 테스트에 따라 측정되었으며 공구끼리 서로 비교하는 데 사용할 수 있습니다. 노출 예비 평가에 사용할 수 있습니다.

표시된 진동 및 소음 방출 수치는 공구의 주 용도로 사용 시에 측정된 값을 나타냅니다. 하지만 공구를 다른 용도로 사용하거나, 다른 부속품과 함께 사용하거나, 부실하게 유지보수할 경우에는 진동 및 소음 방출 수준이 달라질 수 있습니다. 이런 조건은 총 작업 시간에 대한 노출 수준을 상당히 증가시킬 수 있습니다.

진동 및 소음 노출 수준을 추정할 때는 공구의 전원을 끄거나 공회전되는 시간을 고려해야 합니다. 이런 조건은 총 작업 시간에 대한 노출 수준을 상당히 감소시킬 수 있습니다.

공구와 부속품의 유지, 손의 보온 상태 유지, 작업 패턴 구성과 같이, 작업자를 진동과 잡음의 영향으로부터 보호하기 위한 추가 안전 대책을 파악하십시오.

⚠ 경고! 제품과 함께 제공된 안전 경고 문구, 설명서, 도해 및 사양을 모두 읽으십시오. 아래의 지침을 따르지 않으면 감전, 화재 및 중대한 부상을 입을 수 있습니다.

향후 참조할 수 있도록 경고 문구와 설명서를 잘 보관해 두십시오.

잔디깎이 안전 주의사항

악천후 조건, 특히 낙뢰 위험이 존재할 때 잔디깎이를 사용하지 마십시오. 이렇게 하면 낙뢰 위험을 줄일 수 있습니다.

잔디깎이를 사용해야 하는 지역에 야생동물이 있는지 철저히 조사합니다. 조작하는 동안 제품에 의해 야생동물이 부상을 입을 수 있습니다.

잔디깎이를 사용하는 지역을 철저히 검사하고 모든 돌, 막대, 전선, 뼈, 그리고 다른 이물질을 제거하십시오. 튕겨나오는 물체는 신체적 상해를 야기할 수 있습니다.

잔디깎이를 사용하기 전에 항상 육안으로 검사하여 날과 날 어셈블리가 마모되거나 손상되지 않도록 하십시오. 마모되거나 손상된 부품은 부상의 위험을 증가시킵니다.

풀밭이 마모 또는 손상 여부를 자주 확인하십시오. 마모되거나 손상된 잔디 받이는 상해 위험을 높일 수 있습니다.

가드는 정상적으로 작동되어야 하며 올바르게 장착되어야 합니다. 가드가 느슨하거나 손상되었거나 올바르게 작동하지 않을 경우, 신체적 상해를 초래할 수 있습니다.

모든 냉각 공기 인입구에 파편이 없도록 합니다. 차단된 공기 인입구 및 파편은 과열 또는 화재의 위험을 초래할 수 있습니다.

잔디깎이를 조작하는 동안 항상 미끄럼 방지 및 보호 신발을 착용하십시오. 맨발이나 샌들을 신고 있을 때에는 잔디깎이를 조작하지 마십시오. 이는 움직이는 날과 발이 접촉하여 부상을 입을 가능성을 줄여줍니다.

제품을 조작하는 동안 항상 긴 바지를 착용하십시오. 피부가 노출되면 날리는 물체에 의한 상해 가능성이 커집니다.

잔디가 젖은 상태에서 잔디깎이를 조작하지 마십시오. 튀지 말고, 걸으세요. 이를 통해 신체적 상해를 초래할 수 있는 미끄러짐 및 낙상 위험을 줄일 수 있습니다.

매우 가파른 경사에서 잔디깎이를 조작하지 마십시오. 이를 통해 신체적 상해를 초래할 수 있는 제어력 상실, 미끄러짐 및 낙상 위험을 줄일 수 있습니다.

경사진 곳에서 작업할 때 항상 발 위치를 확인하고 경사면을 교차하여 작업하고 위 또는 아래로 작업하지 않아야 하며 위치 변경 시 세심한 주의를 기울여야 합니다. 이를 통해 신체적 상해를 초래할 수 있는 제어력 상실, 미끄러짐 및 낙상 위험을 줄일 수 있습니다.

잔디깎이를 작업자 방향으로 돌리거나 당길 때 세심한 주의를 기울이십시오. 항상 주변 상황에 주의하십시오. 그러면 작업 중 넘어질 위험이 감소합니다.

날과 기타 위험한 움직이는 부품이 계속 움직이는 동안은 만지지 마십시오. 그래야 움직이는 부품으로 인한 상해 위험이 감소합니다.

걸린 재료를 제거하거나 잔디깎이를 청소할 때 전원 스위치가 모두 꺼져 있고 배터리 팩을 분리했는지 확인하십시오. 잔디깎이를 예기치 않게 조작하면 심각한 상해를 당할 수 있습니다.

이물질에 부딪힌 후 또는 제품이 비정상적으로 진동하기 시작하면 그 즉시 제품을 정지시키십시오.

다음의 경우 배터리 팩을 분리하고 움직이는 부품이 모두 완전히 정지하는지 확인하십시오.

- 이물질을 뺀 후 제품이 손상되었는지 검사하고 제품을 재시동 및 조작하기 전에 수리하십시오.
- 제품이 비정상적으로 진동하기 시작하면 그 즉시 손상 여부를 검사하고 손상된 부품을 교체하거나 수리하고 할거문 부품이 있는지 확인하고 조치하십시오.

추가적인 안전 및 작업 지침

잔디 자루, 뿌리 덮개 플러그 또는 후면 배출구가 올바르게 설치되고 제대로 작동하지 않을 경우에는 제품을 조작하지 마십시오. 마모 또는 손상의 징후가 있는지 자주 확인하고 필요에 따라 교체하십시오.

안전 장치(후면 도어, 배출 장치, 베일 등)가 제자리에 있고 올바르게 작동하는 상태인지 확인하십시오.

잔디를 깎기 전에 해당 부분을 검사하고 이물질을 제거하십시오. 모든 돌맹이, 나뭇가지, 철사, 헛조각, 기타 이물질을 제거합니다. 튀는 물체에 주의하십시오. 잔디깎이 날에 부딪힌 물체가 튀어나와 심각한 상해 및/또는 제품 손상을 일으킬 수 있습니다.

제품을 시동하기 전에 자주식 기능을 해제하십시오.

잔디깎이가 작동하는 동안 휠 높이를 조절하려 하지 마십시오.

제품을 물에 노출시키거나 젖은 땅에서 작동하지 마십시오. 빗속에서 제품을 사용하지 마십시오.

손과 발이 날 가까이 가지 않도록 주의하십시오. 칼날 가드 아래로 손을 뺀지 마십시오. 항상 배출구를 깔끔한 상태로 유지하십시오. 배출되는 물질이 다른 사람을 향하도록 하지 마십시오. 벽이나 장애물에 대고 배출하지 마십시오. 배출물이 작업자 쪽으로 다시 튕겨 나올 수 있습니다.

뒤로 이동하기 전과 이동하는 동안 아래쪽과 뒤쪽을 살펴보십시오. 꼭 필요한 경우가 아니라면 반대 방향으로 꺾지 마십시오.

항상 발을 확실하게 디디십시오. 손잡이를 단단히 잡고 절대 튀지 말고 천천히 걸으면서 작업하십시오.

구멍, 바퀴 자국, 튀어나온 부분, 바위 또는 기타 숨겨진 위험을

피하십시오. 고르지 않은 지형으로 인해 제품이 뒤집히거나 작업자가 균형을 잃거나 발을 헛디딜 수 있습니다.

자갈길, 보행로 또는 도로를 건널 때는 날의 작동을 멈추십시오. 모터를 끄고 날이 완전히 멈출 때까지 기다린 후에 풀받이를 제거하거나 슈트의 막힌 부분을 제거하십시오.

작동 중인 제품을 밟지 마십시오. 항상 평평한 곳에 세워두고 제품의 전원을 끄십시오.

사용 중에는 배터리 커버를 닫으십시오.

LED 헤드라이트가 켜져 있을 때는 작동 표시등을 쳐다보지 마십시오.

어린이, 신체, 총동 장애 또는 정신 질환이 있거나 경험과 지식이 부족한 개인 또는 제품 사용 방법을 모르는 개인은 이 전동 공구를 사용할 수 없습니다. 현지 규정에는 작업자의 연령 제한이 명시되어 있을 수 있습니다.

튀는 물체에 주의하십시오. 모든 구멍, 어린이 및 애완동물은 작업장에서 최소 30m 이상 떨어져 있어야 합니다.

조명 상태가 열악한 구역에서 본 제품을 조작하지 않아야 합니다. 작업자는 잠재적 위험 요소가 없는지 파악하기 위해 작업 구역을 세심하게 살펴야 합니다.

사용하기 전에 제품을 검사합니다. 느슨한 패스너 등이 없는지 점검합니다. 모든 가드 및 핸들이 올바르게 안전하게 부착되어 있는지 확인하십시오. 사용하기 전에 손상된 모든 부품을 교체하십시오. 배터리 팩 누설 상태를 점검합니다.

어떠한 방식으로든 본 제품을 개조하지 않아야 합니다.

어린이나 교육을 이수하지 않은 개인은 본 제품을 사용할 수 없습니다.

보안경과 청력 보호구를 완벽히 착용하고 본 제품을 작동하십시오. 낙하물이 발생할 위험이 있는 곳에서 작업할 경우에는 안전모를 착용해야 합니다.

긴 머리카락은 어깨 높이 위로 오도록 묶거나 올려 고정하여 자칫 움직이는 부품에 말려들지 않게 하십시오.

피곤하거나 아플 때 또는 알코올을 섭취하거나 마약 또는 약물을 복용한 상태에서 본 제품을 사용하지 마십시오.

디딜 자세와 균형을 유지하십시오. 경계선을 넘지 마십시오. 경계선을 넘어갈 경우 균형을 잃거나 뜨거운 표면에 노출될 수 있습니다.

모터를 켤 때 제품을 기울이지 마십시오.

제품 사용 전, 배터리 팩을 제거하십시오.

경사면에서의 작업

15° 이상의 경사면에서 작동하지 마십시오. 위아래가 아닌 경사면을 가로질러 잔디를 깎습니다.

경사면에서 작업하면 미끄러지거나 넘어져 중상을 입을 위험이 높아집니다.

경사면에서의 작업은 각별한 주의가 필요합니다. 경사면에서 불안한 느낌이 들면 잔디를 깎지 마십시오.

항상 발을 확실하게 디디십시오. 미끄러지거나 넘어지면 심한 상해를 입을 수 있습니다. 균형을 잃는다고 느끼면 즉시 베일 바를 해제하십시오.

경사면에서 방향을 변경할 때는 각별히 주의하십시오. 경사면에서 작동을 시작하거나 멈추지 마십시오. 속도나 방향을 갑자기 바꾸지 마십시오. 천천히 그리고 점진적으로 회전하십시오.

하차 구역 근처에서 작업하는 동안 각별히 주의하십시오.

바퀴 정지 마찰력, 조종 장치 또는 안정성이 문제가 되는 조건에서 제품을 조작하지 마십시오. 휠이 멈추어도 타이어가 미끄러질 수 있습니다.

경사면을 따라 내려갈 때는 항상 제품을 제어된 상태로 유지하십시오. 타력 주행으로 내리막길을 내려가지 마십시오.

풀받이가 있는 제품을 조작하는 동안 각별히 주의하십시오. 무거운 풀받이가 제품의 안정성에 영향을 줄 수 있습니다.

미끄러지거나 걸려 넘어질 수 있는 구멍, 바위 자국, 바위, 숨겨진 물체 또는 튀어나온 부분에 주의하십시오. 무성하게 자란 잔디가 장애물을 가릴 수 있습니다. 돌맹이, 나뭇가지 등, 날에 걸려 넘어지거나 날릴 수 있는 모든 물체를 치우십시오.

지정된 사용 조건

우선 잔디깎이는 실외 전용입니다.

잔디깎이는 지상 높이에서 잔디를 깎기 위한 장비입니다. 자주식 기능으로 사용하고 사람이 위에서 따라가 걸어가며 조작하여 잔디를 깎도록 되어 있습니다.

잔디깎이는 활이 지면에서 떨어진 상태에서 작동하면 안 됩니다. 잔디깎이를 잡아당기거나 그 위에 올라타면 안 됩니다.

다른 목적으로 제품을 사용하지 마십시오.

전여 위험

제품을 설명서대로 사용하더라도 위험 요소를 완전히 제거하는 것은 여전히 불가능합니다. 사용 중에도 다음과 같은 위험이 발생할 수 있으며, 작업자는 위험 상황을 피하기 위해 특별한 주의를 기울여야 합니다.

- 진동으로 인한 부상
 - 지정된 핸들을 이용해 제품을 붙잡아 사용하고 작업 시간과 진동에 대한 노출을 적절히 제한하십시오.
- 소음 노출로 인한 청력 저하 청각 장애.
 - 소음에 대한 노출을 억제하고 적절한 청각 보호장치를 착용합니다.
- 튀어 나오는 파편으로 인한 부상
 - 항상 적절한 보호 장구, 두텁고 긴 바지, 장갑, 튼튼한 신발 및 보안경을 착용하십시오.
- 독성 먼지 흡입으로 인한 건강 위험
 - 필요할 경우 마스크를 착용하십시오.

배터리

오랫 동안 사용하지 않은 배터리 팩은 사용하기 전에 충전해야 합니다.

50°C를 초과하는 온도는 배터리 팩의 성능을 저하시킵니다. 열이나 햇볕에 오래 노출시키지 마십시오(과열 위험).

충전기 접점 및 배터리 팩을 청결한 상태로 유지해야 합니다.

최적의 수명을 보장하려면 사용한 후에 배터리 팩을 완전히 충전해야 합니다.

배터리 수명을 최대한 연장하려면 완전히 충전된 경우 충전기에서 배터리 팩을 제거하십시오.

30일 이상 배터리 팩을 보관하는 경우:

- 온도가 27°C 이하이며 습기가 없는 장소에 배터리 팩을 보관하십시오.
- 배터리 팩을 30% - 50% 충전된 조건으로 보관하십시오.
- 보관한지 6개월이 경과할 때마다 팩을 정상적으로 충전하십시오.

사용된 배터리 팩을 가정용 쓰레기와 함께 폐기하거나, 태우지 마십시오. 밀워키는 환경 보호를 위해 오래된 배터리 팩을 회수합니다.

배터리 팩을 금속 물체와 함께 보관하지 마십시오(단락 회로 위험).

M18 시스템 배터리 팩을 충전하려면 M18 시스템 충전기만 사용하십시오. 다른 시스템의 배터리 팩을 사용하지 마십시오.

배터리 팩과 충전기를 개방하지 말고, 건조한 곳에 보관하십시오. 배터리 팩과 충전기는 항상 건조한 상태로 유지하십시오.

극심한 부하 또는 극심한 온도 조건에서 손상된 배터리로부터 배터리 산이 누출될 수 있습니다. 배터리 산과 접촉한 경우, 비누물로 즉시 세척하십시오. 눈과 접촉할 경우, 최소 10분 동안 철저히 세정한 후 즉각적인 의료 조치를 취하십시오.

충전기의 배터리 부위에 어떤 금속 조각도 들어가는 안됩니다(합선 위험이 있습니다).

추가 배터리 안전 주의 사항

A! 경고! 단락 회로로 인한 화재, 작업자 부상 및 제품 손상 위험을 줄이려면 제품, 배터리 팩 또는 충전기를 유체에 침수시키거나 유체가 내부로 흘러 들어가지 않도록 해야 합니다.

배터리 팩 보호

매우 높은 토크에서, 고전류 드로우를 야기하는 결속, 실속 및 단락 회로 상황이 발생하고, 공구가 약 5초 동안 진동하며 연료 게이지가 광박인 다음, 공구가 꺼집니다. 재설정하려면 트리거를 해제하십시오.

극심한 환경 조건에서, 배터리 팩의 내부 온도가 급격히 상승할 수 있습니다. 온도가 급격히 상승하면 배터리 팩이 냉각될 때까지 연료 게이지가 광박입니다. 조명이 꺼진 후 작업을 계속 진행하십시오.

리튬 배터리의 운송

리튬 이온 배터리는 위험물 범을 요건의 적용을 받습니다.

이 배터리는 현지, 국내 및 국제 규정과 법규에 따라 운송해야 합니다.

- 배터리는 추가 요구 사항 없이 도로를 통해 운송할 수 있습니다.
- 타사 리튬 이온 배터리의 상업적 운송은 위험물 규정에 따릅니다. 운송 준비 및 운송 작업은 적절히 교육을 이수한 개인만 수행해야 하고 그 과정에 해당 전문가가 동행해야 합니다.

배터리 운송 시 :

- 배터리 접촉면을 보호 및 차단하여 합선 위험을 방지하십시오.
- 배터리 팩이 포장 내에서 움직이지 않도록 고정시키십시오.
- 균열 또는 누출이 있는 배터리는 운송하지 마십시오.

추가 지침은 운송 회사에 확인하십시오.

기능 설명

1. 후면 도어
2. 후면 리프트 핸들
3. 게이지
4. 높이 조절 핸들
5. 배터리실
6. 전면 리프트 핸들
7. LED 헤드라이트
8. 블레이드
9. 날 작동 시작/전원 켜기 버튼
10. 자주식 시작/정지 및 가변 속도 패들
11. 손잡이
12. 배일 바
13. 자주식 단축 다이얼
14. 날 속도 낮음/높음 버튼
15. LED 헤드라이트 켜기/끄기 버튼
16. 핸들 잠금 노브
17. 핸들 조절 노브
18. 잔디 수거 자루
19. 후면 배출 슈트
20. 뿌리 덮개 플러그

일반적인 잔디 깎기 요령

배터리의 작동 시간은 잔디의 상태, 길이, 밀도에 따라 다릅니다. 잔디깎이의 절단 높이를 잔디의 현재 상태에 맞게 조절합니다.

최상의 성능을 위해 항상 잔디 전체 높이의 1/3 이하를 잘라내십시오.

긴 잔디를 깎을 때는 더 효과적으로 깎을 수 있고 깎아낸 잔디를 적절하게 배출할 수 있도록 속도를 줄이십시오.

짧은 잔디를 깎지 마십시오. 깎아낸 잔디가 데크 밑면에 달라붙어 제대로 수거 또는 배출되지 않기 때문입니다.

새로 깎 잔디나 굵은 잔디는 절단 높이를 더 높여야 할 수도 있습니다.

깎은 잔디를 수거하여 폐기하려면 뿌리 덮개 플러그를 제거하고

잔디 수거 자루를 끼우고 상단 덮개가 제대로 닫혔는지 확인하십시오. 잔디 수거 자루를 정기적으로 비우십시오. 그렇지 않으면 배출 슈트가 낡은 잔디로 막히게 됩니다.

잔디를 가볍게 깎으면서 깎아낸 잔디를 잔디밭에 그대로 남겨두려면 뿌리 덮개 플러그를 끼우고 상단 덮개를 닫아 배출구를 덮으십시오. 이 경우 잔디 수거 자루를 끼울 필요가 없습니다.

이 제품은 앞으로 움직이며 작동할 때 가장 효과적으로 작동하면서 잔디를 깎도록 설계되었습니다.

깎는 높이가 높을수록 배터리 팩의 작동 시간이 늘어납니다.

막힘 제거하기

잔디깎이의 전원을 끄고 배터리 팩을 제거합니다. 다음의 경우 이동하는 부품이 모두 완전히 정지하는지 확인하십시오.

막힘을 확인하거나 제거할 때는 항상 두껍고 튼튼한 장갑을 착용하십시오.

칼날은 날카로우며 막힌 부분 자체가 날카로운 물체일 수 있습니다.

잔디 수거 가방을 제거하고 장애물을 확인하고 조심스럽게 치우십시오.

잔디 배출 슈트가 막혔는지 확인하고 조심스럽게 청소하십시오.

잔디깎이를 옆으로 돌려 밀면 날 주변 부위를 확인하십시오. 막힘이 발견되면 조심스럽게 제거하십시오. 청소하는 동안 날이 움직일 수 있으니 주의하십시오.

운송 및 보관

제품을 들어 올리거나 운반해야 할 경우에는 항상 두 사람이 함께 작업하십시오. 이 제품은 무겁습니다. 허리가 아니라 다리에 힘을 주고 안정적인 자세로 들어 올리십시오.

제품 전원을 끄고 배터리를 분리하고 충분히 식힌 후에 보관하거나 운송하십시오.

제품에 있는 모든 이물질을 청소하십시오. 어린이의 손이 닿지 않고, 서늘하고 건조하고 통풍이 잘되는 곳에 제품을 보관하십시오. 제품을 조경용 화학 물질이나 제방염과 같은 부식성 물질에서 떨어진 곳에 보관하십시오. 제품을 실외에 보관하지 마십시오.

차량으로 운송하려면 제품이 움직이거나 떨어지지 않도록 잘 고정하여 사람이 다치거나 제품이 손상되지 않도록 조치하십시오.

악세사리

MILWAUKEE ID. 번호	부품
4932 4798 18	M18 F2LM53 블레이드
4932 4798 19	M18 F2LM53 하이 리프트 블레이드
4932 4798 21	M18 F2LM53 커버

유지 관리

날과 모든 어셈블리, 조절 볼트와 패스너가 알맞게 조여져 있는지 자주 확인하십시오.

잔디 수거 자루 어셈블리를 자주 검사하고 마모 또는 손상의 징후가 있다면 권장 교체품으로 교체하십시오.

호스를 이용해 분사하는 물로 제품을 세척하지 마십시오. 제품과 전기 연결부에 물이 들어가지 않도록 하십시오.

유지보수, 조립, 조절, 청소, 막힘 제거 작업 전이나 제품을 사용하지 않을 때는 배터리 팩을 분리하십시오.

제품을 주의하여 유지 관리합니다. 최상의 성능으로 안전하게 작업하기 위해 칼날을 날카롭고 깨끗한 상태로 유지하십시오.

동일한 MILWAUKEE 교체용 칼날만 사용하십시오.

날을 정비할 때 주의하십시오. 날을 적당한 덮개로 감싸거나 장갑을 끼고 작업하십시오. 손상된 날은 교체하십시오. 날을 수리하거나 개조해 사용하지 마십시오.

제조업체의 정품 교체용 부품, 부속품, 부착물만 사용하십시오. 이를 준수하지 않을 경우 부상을 입거나 성능이 저하될 수 있으며 보증

대상에서 제외될 수 있습니다.

균형을 유지하기 위해 무던 날의 양쪽 끝을 균일하게 연마하십시오.

날을 깨끗이 청소하고 중앙 구멍을 통해 얇은 못으로 수평으로 지지하여 균형이 잡혔는지 확인하십시오. 또한, 못이 수평 위치에 있어야 합니다. 날의 어느 한쪽 끝이 아래쪽으로 회전하는 경우 날의 균형을 이를 때까지 무겁거나 낮은 쪽 끝에서 금속을 제거하십시오. 어느 쪽 끝 부분도 떨어지지 않을 때 균형을 이룹니다.

날이 휘거나 금이 간 경우에는 날을 교체하십시오. 날의 균형이 맞지 않으면 진동이 발생하여 제품이 손상되거나 상해를 입을 수 있습니다.

반드시 MILWAUKEE 부속품과 MILWAUKEE 예비품을 사용하십시오. 언급하지 않은 구성 부품을 교체해야 하는 경우 MILWAUKEE 서비스 센터 중 한 곳에 문의하십시오(보증/서비스 주소 목록 참조).

필요 시, 제품의 분해 조립도를 주문할 수 있습니다. 라벨에 인쇄되어 있는 제품 유형과 6자리 번호를 알려주고 현지 서비스 대리점에서 도면을 주문하십시오.

기호



제품 사용 전, 설명서를 자세히 읽으십시오.



주의! 경고! 위험!



제품 사용 전, 배터리 팩을 제거하십시오.



제품을 사용할 때 항상 보안경을 착용하십시오.



귀마개를 착용하십시오!



장갑을 착용하십시오!



긴 바지를 입으십시오.



안전화를 착용하십시오.



모든 지침을 읽고 이해한 후에 제품을 조작하십시오. 모든 경고 및 안전 지침을 준수하십시오.



경고! 날리는 물체를 조심하고 행인이 가까이 다가가지 못하게 하십시오.

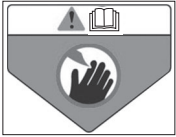




경고! 손과 발이 날 가까이 가지 않도록 주의하십시오. 유지보수 작업 전에는 배터리를 분리하십시오.



주의! 들어 올릴 때 위험합니다. 상해를 당할 수 있습니다.
켜져 있는 램프를 응시하지 마십시오.



위험! 손과 발을 가까이 두지 마십시오.



암계 위험



제품을 빗물에 노출시키지 마십시오.



위아래가 아닌 경사면을 가로질러 잔디를 깎습니다. 15° 이상의 경사면에서 작동하지 마십시오.



비가 올 때나 습기 찬 환경에서 제품을 조작하지 마십시오.



잔디깎이를 들어 올리거나 운반할 때는 두 사람이 작업해야 합니다. 허리가 아니라 다리에 힘을 주고 안정적인 자세로 들어 올리십시오.



보장된 음력 레벨은 96dB입니다.



감전 위험.



호스를 이용해 분사하는 물로 제품을 세척하지 마십시오. 잔디깎이와 전기 연결부에 물이 들어가지 않도록 하십시오.



날 작동 시작 버튼



날 속도 저속/고속 버튼



헤드라이트 켜기/끄기 버튼



더 높은 최대 속도



더 낮은 최대 속도



두 개의 M18 배터리가 필요합니다.



부속품 - 표준 장비에 포함되어 있지 않음, 부속품으로 사용 가능

n_0

무부하 속도

V

전압



전동 공구, 배터리/충전식 배터리는 가정용 쓰레기와 함께 버리지 마십시오. 수명이 다한 전동 공구와 배터리는 별도로 수거하여 환경적으로 호환되는 재생 시설로 반송해야 합니다.

재활용에 관한 조건과 수거 지침에 대해서는 지방 정부당국이나 소매업자에게 확인하십시오.

ข้อมูลทางเทคนิค	M18 F2LM53
ประเภทผลิตภัณฑ์	รถเข็นตัดหญ้าระบบไร้สายแบบขับเคลื่อนด้วยตนเอง
แรงดันไฟแบตเตอรี่	36 V (2 x 18 V) ---
ความเร็วไม่มีตัด/สูง	2800 / 3300 min ⁻¹
ความเร็วการขับเคลื่อนด้วยตนเอง	
ความเร็ว 1	0 – 2.5 กม./ชม.
ความเร็ว 2	0 – 3.5 กม./ชม.
ความเร็ว 3	0 – 4.5 กม./ชม.
ความเร็ว 4	0 – 5.5 กม./ชม.
ความเร็ว 5	0 – 6.5 กม./ชม.
ความกว้างในการตัด	533 มม.
ช่วงความสูงการตัด	25 - 100 มม.
ความจุถังเก็บหญ้า	70 l
น้ำหนักตามขั้นตอนของ EPTA 01/2014 (Li-Ion 2 x 12.0 Ah)	38.5 กก.
มาตรฐานการกันน้ำและฝุ่น	IPX4
อุณหภูมิในการทำงานที่แนะนำ	-18 – +50 °C
ชนิดแบตเตอรี่ที่แนะนำ	2 x M18B..., M18 HB...
แท่นชาร์จที่แนะนำ	M12-18..., M18 DFC
ข้อมูลเกี่ยวกับเสียงรบกวน	
ค่าการปล่อยเสียงรบกวนที่กำหนดตามมาตรฐาน EN 62841	
ระดับแรงดันของเสียงที่ถ่วงน้ำหนัก A	75.8 dB(A)
ค่า K แปรผัน	3.0 dB(A)
ระดับกำลังของเสียงที่ถ่วงน้ำหนัก A	93.8 dB(A)
ค่า K แปรผัน	3.0 dB(A)
โปรดสวมอุปกรณ์ปกป้องการได้ยิน	
ข้อมูลเกี่ยวกับการสั่น	
ค่าการสั่นสะเทือนรวม (ผลรวมเวกเตอร์ในสามแกน) ที่กำหนดตาม EN 62841	
ค่าการปล่อยการสั่นสะเทือน a _w	12.7 m/s ²
ค่า K แปรผัน	1.5 m/s ²

⚠ คำเตือน!

ค่าระดับการสั่นสะเทือนและค่าระดับมลภาวะทางเสียงที่ระบุในเอกสารคู่มือการใช้งานฉบับนี้ได้รับการวัดผลตามการทดสอบที่เป็นไปตามมาตรฐานที่กำหนดไว้ใน EN 62841 และอาจนำไปใช้เพื่อเปรียบเทียบกับเครื่องมืออื่น สามารถใช้สำหรับการประเมินความเสี่ยงในเบื้องต้น

ค่าระดับการสั่นสะเทือนและค่าระดับมลภาวะทางเสียงที่ระบุเป็นข้อมูลสำหรับการใช้งานหลักของเครื่องมือ อย่างไรก็ตาม หากเครื่องมือถูกใช้งานผิดประเภท กับอุปกรณ์เสริมที่แตกต่างกัน หรือการบำรุงรักษาไม่เพียงพอ ค่าระดับการสั่นสะเทือนและค่าระดับมลภาวะทางเสียงอาจจะแตกต่างกันออกไป สภาพเหล่านี้อาจทำให้ระดับความเสี่ยงเพิ่มขึ้นอย่างมีนัยสำคัญตลอดช่วงเวลาการทำงานทั้งหมด

ควรพิจารณาประเมินระดับความเสี่ยงของการสั่นและเสียงดังรบกวนทุกครั้งที่เปิดเครื่องมือหรือขณะใดก็ตามที่เครื่องกำลังเดินเบา สภาพเหล่านี้อาจทำให้ระดับความเสี่ยงลดลงอย่างมีนัยสำคัญตลอดทั้งระยะเวลาการทำงาน

สำหรับการลดการสั่นสะเทือนเพิ่มเติมเพื่อปกป้องผู้ปฏิบัติงานจากผลกระทบของการสั่นสะเทือนและเสียงดัง เช่น การบำรุงรักษาเครื่องมือและอุปกรณ์เสริม ทำให้มืออบอุ่นตลอดเวลา และจัดระเบียบรูปแบบของงาน

⚠ คำเตือน! อ่านวิธีใช้ ภาพประกอบ ข้อมูลจำเพาะ และคำเตือนด้านความปลอดภัยทั้งหมดที่แนบมาผลิตภัณฑ์ การไม่ปฏิบัติตามคำแนะนำที่แสดงอยู่ด้านล่าง อาจทำให้เกิดไฟฟ้าช็อต ไฟไหม้ และ/หรือการบาดเจ็บรุนแรงได้ โปรดเก็บเอกสารคำเตือนและคำแนะนำทั้งหมดเพื่อใช้อ้างอิงในอนาคต

คำเตือนความปลอดภัยของรถเข็นตัดหญ้า

อย่าใช้รถเข็นตัดหญ้าในช่างที่มีสภาพอากาศเลวร้าย โดยเฉพาะอย่างยิ่งเมื่อมีความเสี่ยงที่จะเกิดฟ้าผ่า การดำเนินการนี้จะลดความเสี่ยงของปัญหาที่เกิดจากฟ้าผ่าได้

ตรวจสอบพื้นที่อย่างละเอียดว่ามีสัตว์ป่าในบริเวณที่จะใช้รถเข็นตัดหญ้าหรือไม่ สัตว์ป่าอาจได้รับบาดเจ็บจากผลิตภัณฑ์ในระหว่างการทำงาน

ตรวจสอบบริเวณพื้นที่ที่จะใช้รถเข็นตัดหญ้าอย่างละเอียดและกำจัดเศษหิน กิ่งไม้ สายไฟ กระดุก และวัตถุแปลกปลอมอื่นๆ ทั้งหมด สิ่งของที่กระเด็นอาจทำให้เกิดการบาดเจ็บได้

ก่อนใช้งานรถเข็นตัดหญ้า ให้ตรวจสอบด้วยสายตาให้มั่นใจว่าใบมีดและชุดใบมีดไม่มีการสึกหรอหรือเสียหาย ชิ้นส่วนที่สึกหรอหรือชำรุดเสียหายจะเพิ่มความเสี่ยงต่อการบาดเจ็บ

หมั่นตรวจหาการสึกหรอหรือการเสื่อมสภาพของลูกเก็บหญ้าเป็นประจำ ลูกเก็บหญ้าที่สึกหรอหรือเสื่อมสภาพอาจเพิ่มความเสี่ยงต่อการได้รับบาดเจ็บ

อย่าถอดอุปกรณ์ป้องกัน อุปกรณ์ป้องกันต้องมีสภาพการทำงานที่ดีและต้องติดตั้งอย่างถูกต้อง อุปกรณ์ป้องกันที่หลวม เสียหาย หรือทำงานไม่ถูกต้องอาจส่งผลให้เกิดการบาดเจ็บได้

ป้องกันช่องระบายความร้อนทั้งหมดไม่ให้มีเศษสิ่งของอุดตัน ช่องระบายอากาศที่อุดตันและมีเศษสิ่งของปิดกั้นอาจส่งผลให้เกิดความร้อนสูงเกินไปหรือเสี่ยงต่อการเกิดไฟไหม้

ในขณะที่ใช้งานเครื่องตัดหญ้า การสวมรองเท้าเซฟตี้ชนิดกันสั่นเสมอ อย่าใช้งานเครื่องตัดหญ้าในขณะที่เท้าเปล่าหรือสวมรองเท้าแตะ ซึ่งจะช่วยลดโอกาสในการบาดเจ็บที่เท้าจากการสัมผัสกับใบมีดที่กำลังเคลื่อนที่

ในระหว่างใช้งานผลิตภัณฑ์ ให้สวมกางเกงขายาวเสมอ ป้องกันการได้รับบาดเจ็บจากเศษวัสดุที่กระเด็นมาโดน

อย่าใช้งานเครื่องตัดหญ้าในสภาพที่ลมแรงหรือเปียกชื้น ให้เดิน หามรั้ว ซึ่งจะช่วยลดความเสี่ยงจากการสัมผัสที่อาจส่งผลให้เกิดการบาดเจ็บได้

อย่าใช้งานเครื่องตัดหญ้าบนพื้นที่ลาดชันมากเกินไป ซึ่งจะช่วยลดความเสี่ยงจากการสูญเสียการควบคุม สิ้น และล้มที่อาจส่งผลให้เกิดการบาดเจ็บได้

เมื่อทำงานบนพื้นที่ลาดชัน ต้องตรวจสอบการวางเท้าเสมอ ทำงานในแนวขวางบนพื้นที่ลาดชันเสมอ อย่าขึ้นหรือลงและใช้ความเร็วลดหรืออย่าวิ่งเมื่อเปลี่ยนทิศทาง ซึ่งจะช่วยลดความเสี่ยงจากการสูญเสียการควบคุม สิ้น และล้มที่อาจส่งผลให้เกิดการบาดเจ็บได้

ใช้ความเร็วระดับขั้นสูงสุดเมื่อยกเครื่องตัดหญ้ากลับหรือดึงกลับมาเข้าท่าตัวเอง อย่าวิ่งรอบๆ ตัวเองเสมอ ซึ่งจะช่วยลดความเสี่ยงของการทลกล้มในขณะทำงานได้

อย่าสัมผัสกับใบมีดและชิ้นส่วนเคลื่อนที่หรือมีอันตรายอื่นๆ ในขณะที่เครื่องกำลังทำงานอยู่ จะช่วยลดความเสี่ยงของการได้รับบาดเจ็บจากชิ้นส่วนที่เคลื่อนที่เอาไว้ได้

ก่อนจะนำวัสดุที่ติดออกหรือมีอะไหล่ตามสะดวกเครื่องตัดหญ้า จะต้องปิดเครื่องและถอดแบตเตอรี่ออกเสมอ การทำงานของรถจักรยานยนต์โดยใช้แบตเตอรี่อาจทำให้บุคคลได้รับบาดเจ็บร้ายแรง

หยุดเครื่องทันทีหลังจากชนกับวัตถุแปลกปลอมหรือเมื่อผลิตภัณฑ์มีอาการสั่นผิดปกติ

ถอดแบตเตอรี่ออกและตรวจสอบให้แน่ใจว่าชิ้นส่วนที่เคลื่อนที่ทั้งหมดหยุดสนิทแล้ว

- หลังจากที่เครื่องไปชนปะทะกับวัตถุแปลกปลอม ให้ตรวจสอบความเสียหายของผลิตภัณฑ์หรือทำการซ่อมแซมก่อนเริ่มทำงานใหม่และใช้งานอุปกรณ์ป้องกัน
- หากผลิตภัณฑ์มีอาการสั่นผิดปกติ ให้ตรวจสอบความเสียหายของเครื่องทันที เปลี่ยนชิ้นส่วนหรือซ่อมแซมชิ้นส่วนที่ชำรุดเสียหาย และตรวจสอบว่าชิ้นส่วนที่หวาดกลัวกันให้แน่นแล้ว

คำแนะนำเพิ่มเติมเรื่องความปลอดภัยและการใช้งาน

อย่าใช้งานผลิตภัณฑ์โดยไม่ได้อัดตั้งลูกเก็บหญ้า ตัวปล่อยหญ้าคลุมดิน หรือตัวปล่อยหญ้าด้านข้างอย่างถูกต้องและส่วนประกอบเหล่านี้ทำงานได้อย่างถูกต้อง ตรวจสอบร่องรอยการสึกหรอหรือการเสื่อมสภาพเป็นประจำและเปลี่ยนตามที่จำเป็น ตรวจสอบว่าอุปกรณ์ความปลอดภัย (ผ้าด้านหลัง อุปกรณ์ระบาย แห่งต่ำ โฉง ฯลฯ) อยู่ในตำแหน่งและอยู่ในสภาพที่ยังทำงานได้ปกติ

ควรตรวจสอบพื้นที่ทำงานและนำวัสดุแปลกปลอมออกก่อนตัดหญ้า เอาก้อนหิน แห่งไม้ สายไฟ กระดุก และวัตถุแปลกปลอมอื่นๆ ที่หมดออกจากพื้นที่ทำงาน ระเบิดจะมีวัตถุที่ปลิวหรือกระเด็น วัตถุที่ติดขัดที่ขุดใบมีดของเครื่องตัดหญ้าอาจกระเด็นออกและทำให้ได้รับบาดเจ็บร้ายแรงและ/หรือทำให้ผลิตภัณฑ์ชำรุดเสียหายได้

ปลดการเชื่อมต่อฟังก์ชันการขับเคลื่อนด้วยตนเองก่อนสตาร์ทเครื่อง

ห้ามปรับความสูงของล้อในขณะที่เครื่องตัดหญ้ากำลังทำงาน

อย่าให้ผลิตภัณฑ์เปียกน้ำหรือทำงานบนพื้นหญ้าเปียก อย่าใช้งานตอนฝนตก ดูแลให้มีและทำให้ห่างจากใบมีดของเครื่องตัดหญ้าเสมอ อย่าใช้ส่วนของร่างกายเข้าไปติดป้องกันใบมีด ดูแลให้ช่องเปิดปล่อยเศษหญ้าไม่อุดตันตลอดเวลา อย่าปล่อยเศษหญ้าพุ่งเข้าหาคนอื่น หลีกเลี่ยงการปล่อยเศษหญ้าพุ่งเข้าหาหมั่งหรือสิ่งกีดขวาง เศษวัสดุอาจติดกับหญ้าผู้ใช้งาน

มองไปข้างหลังและข้างหลังก่อนและในขณะที่ย้ายไปยังด้านหน้า อย่าตัดหญ้าในแบบเดินถอยหลังเว้นแต่จำเป็นจริงๆ

ก้าวเท้าอย่างมั่นคงเสมอ จับที่ตามจับให้แน่นแล้วเดิน หามรั้ว

หลีกเลี่ยงหลุม ร่องแคบ เครื่องกัน ก้อนหิน หรืออันตรายอื่นๆ ที่ซ่อนอยู่ สภาพพื้นดินที่ไม่เรียบอาจทำให้ผลิตภัณฑ์พลิกเียง หรือทำให้ผู้ใช้สูญเสียสมดุลการทรงตัวหยุดการทำงานของใบมีดเมื่อเดินข้ามทางลูกรัง ทางเดิน หรือถนน ปิดมอเตอร์หรือรอให้ใบมีดหยุดสนิทก่อนถอดลูกเก็บหญ้าหรือทำความสะอาดช่องปล่อยหญ้าด้านหลัง ปล่อยให้ผลิตภัณฑ์ทำงานโดยไม่เฝ้าดูแล ให้วางบนพื้นดินได้ระดับและปิดเครื่องเสมอ

ปิดผ้าครอบแบตเตอรี่ไว้ในระหว่างใช้งาน

อย่าจ้องที่ไฟส่องสว่างเมื่อไฟส่องแบบ LED ติดสว่าง ห้ามให้เด็ก บุคคลที่มีความบกพร่องทางการรับรู้ หรือทางจิต ตลอดจนบุคคลที่ขาดประสบการณ์และความรู้ หรือบุคคลที่ไม่คุ้นเคยกับคำแนะนำเหล่านี้ใช้งานผลิตภัณฑ์นี้ อาจมีการจำกัดอายุผู้ใช้ตามข้อกำหนดในท้องถิ่น

ระเบิดจะมีวัตถุที่ปลิวหรือกระเด็น ห้ามคนรอบข้าง เด็ก และสัตว์เลี้ยงเข้าไปใกล้ในรัศมี 30 เมตรจากพื้นที่ทำงาน

อย่าใช้ผลิตภัณฑ์ภายใต้สภาวะที่มีแสงสว่างน้อย ผู้ใช้งานต้องสามารถมองเห็นพื้นที่ทำงานได้อย่างชัดเจนเพื่อระเบิดหรือวัตถุที่อาจเกิดขึ้น

ตรวจสอบผลิตภัณฑ์ก่อนใช้งาน ตรวจสอบว่าตัวดีหลวมหรือไม่ ฯลฯ ตรวจสอบให้แน่ใจว่าได้ติดตั้งอุปกรณ์ป้องกันและที่จับไว้อย่างถูกต้องและแน่นหนา เปลี่ยนชิ้นส่วนที่เสียหายก่อนการใช้งาน ตรวจสอบชุดแบตเตอรี่ว่ามีอาการรั่วไหลหรือไม่

ห้ามดัดแปลงผลิตภัณฑ์อย่างเด็ดขาด ห้ามเด็กหรือบุคคลที่ไม่ได้รับการฝึกฝนใช้งานผลิตภัณฑ์

สวมแว่นกันแดดและอุปกรณ์ป้องกันการได้ยินทุกครั้งเมื่อใช้ผลิตภัณฑ์ หากปฏิบัติงานในพื้นที่ซึ่งอาจมีวัตถุตกหล่นมากที่สุด ให้สวมหมวกกันน็อกด้วย รามเมทที่ยาวไว้ให้อยู่เหนือหัวเพื่อป้องกันไม่ให้หมวกเข้าไปติดพื้นในชิ้นส่วนที่มีการเคลื่อนที่

ห้ามใช้อุปกรณ์เมื่อคุณเหนื่อยล้า ป่วย หรืออยู่ภายใต้ฤทธิ์สุรา ยาเสพติด หรือยารักษาโรค

ยืนให้มั่นคงและสมดุล อย่าเอื้อม การเอื้อมตัวอาจทำให้เสียสมดุลหรือสัมผัสกับพื้นผิวที่มีความร้อนได้

อย่าเอียงผลิตภัณฑ์ในขณะที่เปิดใช้มอเตอร์ ถอดชุดแบตเตอรี่ออกก่อนเริ่มการทำงานใดๆ กับผลิตภัณฑ์

การทำงานในพื้นที่ลาดเอียง

อย่าใช้งานบนพื้นที่ลาดเอียงมากกว่า 15° ให้ตัดหญ้าขวางแนวลาดเอียง ไม่ใช่ไปตามทางขึ้นและทางลงตามแนวลาดเอียง

การทำงานบนพื้นที่ลาดชันจะมีความเสี่ยงการสัมผัสและหล่นเพิ่มขึ้น ซึ่งอาจทำให้ได้รับบาดเจ็บร้ายแรงได้

ใช้ความเร็วระดับขั้นเป็นพิเศษเมื่อทำงานบนพื้นที่ลาดชัน ถ้าคุณรู้สึกไม่สะดวกที่จะตัดหญ้าบนพื้นที่ลาดชัน อย่าทำงาน

ให้ก้าวเท้าอย่างมั่นคงเสมอ การสัมผัสและหล่นอาจทำให้ได้รับบาดเจ็บร้ายแรงได้ ถ้าคุณรู้สึกจะสูญเสียการทรงตัว ให้ปล่อยแห่งต่ำลงจับที่เครื่องทันที

ใช้ความเร็วระดับขั้นสูงสุดเมื่อเปลี่ยนทิศทางบนพื้นที่ลาดชัน อย่าเริ่มทำงานและหยุดทำงานของเครื่องบนพื้นที่ลาดชัน อย่าเปลี่ยนแปลงความเร็วทิศทางแบบทันทีทันใด ค่อยๆ เลี้ยวหรือหมุนตัวช้าๆ

ใช้ความเร็วระดับขั้นเมื่อทำงานใกล้กับหลุม

อย่าใช้งานผลิตภัณฑ์ถ้ากำลังในแรงจุด แรงส่งกำลัง หรือความเสถียรของผลิตภัณฑ์ลดลงอาจส่งผลให้เกิดอุบัติเหตุร้ายแรงได้

ควบคุมผลิตภัณฑ์ไว้เสมอ ในขณะที่เดินลงทางลาดชัน อย่าปล่อยทิ้งตั้งทางลาดตามแรงโน้มถ่วง

ใช้ความเร็วระดับขั้นพิเศษเมื่อใช้งานผลิตภัณฑ์พร้อมลูกเก็บหญ้า ลูกเก็บหญ้าที่มีน้ำหนักมากอาจมีผลกระทบต่อการทรงตัวของผลิตภัณฑ์

มีระเบิดจะมีหลุม ร่องแคบ ก้อนหิน วัตถุที่ตกซ่อนอยู่ หรือเครื่องกันที่อาจทำให้คุณสัมผัสหรือหล่นได้ ต้นหญ้าที่สูงอาจซ่อนไว้ด้วยวัสดุแปลกปลอม เหววัตถุต่างๆ ออกจากพื้นที่ทำงาน เช่น ก้อนหิน กิ่งไม้ ฯลฯ ซึ่งอาจทำให้สัมผัสหรือกระเด็นด้วยใบมีดได้

สภาพการใช้งานที่ปลอดภัย

รถเข็นตัดหญ้าแบบไร้สายนี้ออกแบบมาสำหรับการใช้งานนอกตัวอาคารเท่านั้น เครื่องตัดหญ้านี้ออกแบบมาเพื่อใช้ตัดหญ้าที่ระดับพื้น เครื่องตัดหญ้าควบคุมแบบเดินเท้าและเดินตามข้างหลังนี้ออกแบบมาเพื่อใช้งานในลักษณะขับเคลื่อนด้วยผู้ใช้เอง

ห้ามใช้เครื่องตัดหญ้าโดยไม่ใส่ล้อยางกับพื้น ห้ามใช้แบบลากดึงหรือมีการโดยสารบนเครื่องตัดหญ้า

ห้ามใช้ผลิตภัณฑ์เพื่อวัตถุประสงค์อื่นนอกเหนือจากที่ระบุ

ความปลอดภัยอื่น ๆ

ถึงแม้เครื่องมือจะได้รับการใช้ตามที่กำหนด แต่ก็ไม่สามารถกำจัดปัจจัยความเสี่ยงที่หลงเหลืออยู่ได้ อันตรายต่อไปนี้อาจเกิดขึ้นในการใช้งานและผู้ดำเนินการควรให้ความสำคัญเป็นพิเศษเพื่อหลีกเลี่ยงกรณีต่อไปนี้

- การบาดเจ็บที่เกิดจากแรงสั่นสะเทือน
 - จับบริเวณที่จับเฉพาะของผลิตภัณฑ์และอย่าใช้งานติดต่อกันเป็นเวลานาน
- ระบบการได้ยินอาจได้รับความเสียหาย หากได้ยินเสียงดัง
- ความผิดปกติในการได้ยิน การจำกัดการสัมผัส และควรสวมอุปกรณ์ป้องกันที่เหมาะสม
- การบาดเจ็บเนื่องจากเศษวัสดุที่กระเด็น
 - สวมอุปกรณ์ป้องกันส่วนบุคคลที่เหมาะสม กางเกงขากว้าง หมวก รองเท้าหนา และแว่นกันแดด
- อันตรายต่อสุขภาพที่เกิดจากการสูดหายใจเอาฝุ่นพืชเข้าไป
 - สวมหน้ากากกักฝุ่น

แบตเตอรี่

ควรชาร์จแบตเตอรี่ให้ได้ใช้งานเป็นระยะเวลาหนึ่งก่อนที่จะใช้งาน ประสิทธิภาพของชุดแบตเตอรี่จะลดลงหากอุณหภูมิสูงกว่า 50°C หลีกเลี่ยงไม่ให้ถูกแสงแดดหรือความร้อนเป็นเวลานาน (เสียงต่อความร้อนเกิน)

ต้องหมั่นดูแลความสะอาดหน้าสัมผัสตัวชาร์จกับชุดแบตเตอรี่

เพื่อยืดอายุการใช้งาน ควรชาร์จแบตเตอรี่ให้เต็มหลังการใช้งาน

เพื่อรักษาอายุแบตเตอรี่ให้มากที่สุด ให้ถอดชุดแบตเตอรี่ออกจากตัวชาร์จเมื่อชาร์จไฟเต็ม

สำหรับชุดแบตเตอรี่ที่ต้องการเก็บไว้นานกว่า 30 วัน:

- เก็บชุดแบตเตอรี่ไว้ที่อุณหภูมิต่ำกว่า 27°C และหลีกเลี่ยงความชื้น
 - เก็บชุดแบตเตอรี่ไว้ที่ประจุ 30% - 50%
 - ให้ชาร์จแบตเตอรี่ตามปกติทุกหกเดือนที่เก็บ
- ห้ามทิ้งแบตเตอรี่ที่ใช้แล้วกับขยะครัวเรือนหรือโดยการเผาทำลาย ผู้แทนจำหน่ายของ MILWAUKEE มีข้อเสนอในการกู้คืนแบตเตอรี่เก่าเพื่อปกป้องสภาพแวดล้อมของเรา

ไม่เก็บชุดแบตเตอรี่ไว้รวมกับวัตถุอื่นที่เป็นโลหะ (เสี่ยงต่อการลัดวงจร)

ชาร์จชุดแบตเตอรี่ System M18 ด้วยตัวชาร์จสำหรับ System M18 เท่านั้น อย่าใช้แบตเตอรี่จากระบบอื่น ๆ

ห้ามเปิดหลายแบตเตอรี่และเครื่องชาร์จและเก็บไว้ในห้องที่แห้งเท่านั้น เก็บก้อนแบตเตอรี่และอุปกรณ์ชาร์จไว้ในที่แห้งตลอดเวลา

กรดแบตเตอรี่อาจรั่วซึมจากแบตเตอรี่ที่เสียหายภายใต้อุณหภูมิสูงหรือการใช้งานที่หนักมากเกินไป หากสัมผัสกับกรดแบตเตอรี่ ให้ล้างออกทันทีด้วยน้ำสบู่ หากกรดแบตเตอรี่เข้าตา ล้างตาให้ทั่วด้วยน้ำอย่างน้อย 10 นาทีและไปพบแพทย์ทันที

ห้ามไม่ให้มีชิ้นส่วนที่เป็นโลหะในส่วนแบตเตอรี่ของตัวชาร์จ (เสียงลัดวงจร)

คำเตือนเพิ่มเติมเกี่ยวกับความปลอดภัยของแบตเตอรี่

⚠ คำเตือน! วัสดุความเสี่ยงในการเกิดไฟไหม้ การบาดเจ็บส่วนบุคคล และความเสียหายต่อผลิตภัณฑ์ จากการผลิตวงจร อย่างฉวมเครื่องมือ แบตเตอรี่ หรือเครื่องชาร์จไฟลงในของเหลวหรือปล่อยให้ของเหลวซึมเข้าสู่ภายใน ของเหลวที่มีฤทธิ์กัดกร่อนหรือนำไปไฟฟ้าอาจก่อให้เกิดการลัดวงจรได้ เช่น น้ำมัน สารเคมีทางอุตสาหกรรมบางชนิด และผลิตภัณฑ์ฟอสฟอรีนหรือมีส่วนผสมฟอสฟอรีน เป็นต้น

ระบบป้องกันของชุดแบตเตอรี่

ในสถานการณ์ที่เกิดระเบิดสูง ติดขัด สดุด และเกิดการลัดวงจรเนื่องจากมีกระแสย้อนกลับสูง เครื่องมือจะสิ้นเปลืองเวลา 5 วินาที และระดับไฟแสดงพลังงานจะกระพริบแล้วเครื่องมือจะดับลงและทำการรีเซ็ตระบบ

ภายใต้สถานการณ์รุนแรง อุณหภูมิภายในของแบตเตอรี่อาจจะสูงขึ้นได้ หากเกิดเหตุการณ์นี้ขึ้น ระดับไฟแสดงพลังงานจะกระพริบจนกว่าแผงแบตเตอรี่จะเย็นลง ให้ห่างจากต่อหลังจากที่ไฟดับแล้ว

การเคลื่อนย้ายแบตเตอรี่ลิเทียม

แบตเตอรี่ลิเทียมไอออนอยู่ภายใต้ข้อกำหนดตามกฎหมายของสินค้าอันตราย การขนส่งแบตเตอรี่เหล่านี้ต้องกระทำตามกฎระเบียบและข้อบังคับของท้องถิ่น ของประเทศ และระหว่างประเทศ

- สามารถขนส่งแบตเตอรี่ทางถนนได้โดยไม่ต้องมีข้อกำหนดเพิ่มเติม
- การขนส่งแบตเตอรี่ลิเทียม โดยผู้ให้บริการภายนอกจะต้องจัดการตามกฎหมายของสินค้าอันตราย การเตรียมการขนส่งและการขนส่งต้องดำเนินการโดยบุคลากรที่ผ่านการฝึกอบรมมาแล้วเท่านั้น และในระหว่างดำเนินการต้องมีผู้เชี่ยวชาญที่เกี่ยวข้องอยู่กำกับดูแล

เมื่อขนย้ายแบตเตอรี่:

- โปรดตรวจดูให้แน่ใจว่าขั้วสัมผัสของแบตเตอรี่ได้รับการปกป้องและติดตั้งแน่นหนา เพื่อป้องกันการลัดวงจร
- ตรวจสอบให้แน่ใจว่าก่อนแบตเตอรี่ได้รับการปกป้องอย่างแน่นหนาอยู่ในบรรจุภัณฑ์
- ห้ามเคลื่อนย้ายแบตเตอรี่ที่แตกหรือรั่ว

โปรดสอบถามบริษัทขนส่งหากท่านต้องการคำแนะนำเพิ่มเติม

รายละเอียดการใช้ประโยชน์

1. ผ่าครอบด้านหน้า
2. ด้ามจับยกด้านหลัง
3. เกจแสดงระดับพลังงาน
4. ด้ามจับปรับความสูง
5. ช่องใส่แบตเตอรี่
6. ด้ามจับยกด้านหน้า
7. ไฟส่องสว่างแบบ LED
8. ไม้ตัด
9. ปุ่มเริ่มทำงานของไม้ตัด/เปิดเครื่อง
10. ปุ่มเริ่มทำงาน/หยุดทำงานแบบขับเคลื่อนด้วยตัวเองและเป็นปรับความเร็ว
11. ที่จับ
12. ห่วงด้ามจับโค้ง
13. ปุ่มความเร็วขับเคลื่อนด้วยตนเอง
14. ปุ่มเลือกความเร็ว ไม้ตัด/สูง
15. ปุ่มเปิด/ปิดไฟส่องสว่างแบบ LED
16. ลูกบิดล็อกด้ามจับ
17. ลูกบิดปรับด้ามจับ
18. กุญแจกันหญ้า
19. ที่ปล่อยหญ้าด้านข้าง
20. ที่ปล่อยหญ้าคลุมดิน

คำแนะนำการตัดหญ้าทั่วไป

ระยะเวลาการทำงานของแบตเตอรี่ขึ้นอยู่กับสภาพ ความยาว และความหนาแน่นของหญ้า ปรับความสูงการตัดของเครื่องตัดหญ้าให้เหมาะกะสภาพปัจจุบันของหญ้า เพื่อประสิทธิภาพที่ดีที่สุด ให้ตัดหญ้าที่ระยะไม่เกินหนึ่งในสามของความสูงของต้นหญ้า

เมื่อตัดหญ้าที่มีขนยาวๆ ให้ลดความเร็วเพื่อให้ตัดได้อย่างมีประสิทธิภาพและปล่อยเศษหญ้าที่ตัดได้อย่างเหมาะสม

อย่าตัดหญ้าที่เปียกน้ำ เนื่องจากหญ้าจะเป็ดแน่นที่ข้างใต้ซึ่ง ไม้ตัดและทำให้เกิดการติดขัดในการเก็บหรือปล่อยทิ้งของเศษหญ้า

หญ้าขึ้นใหม่หรือหญ้ามีความหนาแน่น อาจต้องปรับความสูงการตัดให้สูงขึ้น

ถ้าคุณต้องการรวบรวมเศษหญ้าจากการตัดเพื่อกำจัดขยะ ให้ถอดที่ตัดคลุมดินและใส่ถุงเก็บหญ้าเข้าไป ผ่าพาด้านบนต้องปิดอย่างเหมาะสม นำเศษหญ้าที่ถูกรับในถุงไปทิ้งเสมอ มิฉะนั้นช่องปล่อยหญ้าอาจอุดตันได้

ถ้าคุณทำการตัดหญ้าทั่วไปและต้องการปล่อยเศษหญ้าแบบคลุมดิน สามารถใช้ที่ปล่อยหญ้าแบบคลุมดินและปิดผ้าด้านบนเพื่อปิดช่องที่ปล่อยเศษหญ้าออก

ผลิตภัณฑ์นี้ได้รับการออกแบบมาเพื่อทำงานและตัดหญ้าอย่างมีประสิทธิภาพเมื่อขับเคลื่อนไปข้างหน้า

การตัดที่ระดับความสูงขงบน ๆ จะช่วยยืดระยะเวลาการใช้งานของแบตเตอรี่ได้

การขจัดเศษวัสดุอุดตันออก

ให้ดับเครื่องอุปกรณ์และถอดชุดแบตเตอรี่ออกเสมอ ตรวจสอบให้แน่ใจว่าชิ้นส่วนที่เคลื่อนไหวทั้งหมดหยุดสนิทแล้ว:

สวมถุงมือหนาในขณะตรวจสอบหรือขจัดเศษวัสดุอุดตันออกเสมอ

ใบมิดมีความคมและการจุดตัดบริเวณใบมิดอาจเป็นวัตถุมีคม

ถอดถุงเก็บหญ้าออก ตรวจสอบและขจัดวัตถุติดค้างออกอย่างระมัดระวัง

ตรวจสอบเชือกปล่อยเศษหญ้าว่ามีกรจุดตัดหรือไม่ และขจัดออกอย่างระมัดระวัง
พลิกเครื่องตัดหญ้าวางตะแคง ตรวจสอบเชือกข้างใต้เครื่อง และบริเวณรอบๆ ใบมิด ถ้าพบการจุดตัดด้วยเศษวัสดุ ให้ขจัดออกด้วยความระมัดระวัง ฟังระวังว่าใบมิดอาจเคลื่อนที่ในขณะทำความสะอาด

การขนย้ายและการจัดเก็บ

ใช้คน 2 คนเสมอเมื่อจำเป็นต้องยกหรือขนย้ายผลิตภัณฑ์ ผลิตภัณฑ์นี้มีน้ำหนักมาก ยกเช่นตัดหญ้าโดยใช้กำลังจากขาไม่ใช่จากแผ่นหลัง

ปิดเครื่องของผลิตภัณฑ์ นำแบตเตอรี่ออก และปล่อยให้เย็นก่อนจัดเก็บหรือขนย้าย
ทำความสะอาดวัตถุแปลกปลอมทั้งหมดออกจากผลิตภัณฑ์ จัดเก็บไว้ในที่แห้งและเย็น และสามารถระบายอากาศได้ดี ซึ่งเด็ก ๆ ไม่สามารถเข้าถึงได้ เก็บให้ห่างจากสารที่มีฤทธิ์กัดกร่อน เช่น สารเคมีในการทำสวนและเกลือละลายน้ำแข็ง อย่างไรก็ตาม

หากต้องการขนย้ายโดยยานพาหนะ ให้ยึดผลิตภัณฑ์ไว้โดยอย่าให้สามารถขยับหรือตกหล่นได้ เพื่อป้องกันไม่ให้ผู้ใช้ได้รับบาดเจ็บหรือผลิตภัณฑ์เสียหาย

อุปกรณ์เสริม

หมายเลข ID ของ MILWAUKEE	ชิ้นส่วน
4932 4798 18	ใบมิดเครื่องตัดหญ้าขนาด 21 นิ้ว/ 53 ซม.
4932 4798 19	ใบมิดเครื่องตัดหญ้า HP ขนาด 21 นิ้ว/ 53 ซม.
4932 4798 21	ฝาครอบเครื่องตัดหญ้า ขนาด 21 นิ้ว/ 53 ซม.

การบำรุงรักษา

ตรวจสอบ ใบมิดและชุดประกอบทั้งหมดและสกริปปรับตั้งและตัวยึดเป็นประจำว่าประกอบแน่นหนาดี

ตรวจสอบถุงเก็บหญ้าเป็นประจำและเปลี่ยนชิ้นส่วนตามที่แนะนำ หากพบร่องรอยของการสึกหรอหรือการเสื่อมสภาพ

อย่าใช้สายยางฉีดน้ำล้างผลิตภัณฑ์ หลีกเลี่ยงอย่าให้ผลิตภัณฑ์หรือจุดเชื่อมต่อทางไฟฟ้าจุ่มน้ำ

ถอดแบตเตอรี่ออกก่อนทำการบำรุงรักษา ประกอบ ปรับตั้ง ทำความสะอาด ขจัดวัตถุที่อุดตัน หรือเมื่อไม่ได้ใช้งานผลิตภัณฑ์

ซ่อมบำรุงเครื่องมือด้วยความระมัดระวัง ดูแลให้ชอบตัดมีความคมและสะอาดเสมอ เพื่อให้ได้ประสิทธิภาพการตัดที่ดีที่สุดและปลอดภัยที่สุด

ใช้เฉพาะใบมิดอะไหล่ของแท้ของ MILWAUKEE เท่านั้น

ใช้ความระมัดระวังขณะซ่อมบำรุงใบมิด ปิดครอบใบมิดหรือสวมถุงมือก่อนทำงาน เปลี่ยนใบมิดที่ได้รับการเสียหาย อย่าซ่อมแซมหรือตัดแปลงใบมิด

ใช้เฉพาะชิ้นส่วนอะไหล่ อุปกรณ์เสริม และอุปกรณ์ติดตั้งของแท้ที่ผู้ผลิตแนะนำเท่านั้น การไม่ทำเช่นนี้อาจก่อให้เกิดการบาดเจ็บ อาจส่งผลให้ประสิทธิภาพเครื่องต้องลดลงและอาจทำให้การรับประกันของคุณตกเป็นโมฆะ

ลับใบมิดที่ข้อที่ปลายแต่ละด้านให้เท่าๆ กันเพื่อรักษามุมดูล

ทำความสะอาดใบมิดอย่างทั่วถึงและตรวจสอบสมดุลด้วยการใช้วัสดุรองรับแนวอนบนตะปาสอดผ่านตรงกลางใบมิด ตะปากรอยในตำแหน่งแนวอนด้วย ถ้าปลายด้านใดด้านหนึ่งของใบมิดอลงด้านล่าง ให้ถอดส่วนโลหะบางชิ้นออกจากปลายด้านที่หนักหรือด้านล่างจนกว่าใบมิดจะได้สมดุล ใบมิดจะได้สมดุลเมื่อไม่มีปลายด้านใดงอล

เปลี่ยนใบมิดหากพบว่าบิดงอหรือแตกร้าว ใบมิดที่ไม่ได้สมดุลจะทำให้เกิดการสั่นและอาจทำให้ผลิตภัณฑ์ชำรุดเสียหายหรือบุคคลได้รับบาดเจ็บได้

ใช้อุปกรณ์เสริมและชิ้นส่วนสำรองของ MILWAUKEE เท่านั้น หากจำเป็นต้องเปลี่ยนส่วนประกอบที่ไม่ได้อธิบายไว้ โปรดติดต่อศูนย์บริการของ MILWAUKEE (ดูที่รายการการรับประกัน/ที่อยู่ของศูนย์บริการของเรา)

ท่านสามารถส่งภาพกระจายชิ้นส่วนประกอบของผลิตภัณฑ์ได้ หากต้องการ โปรดระบุประเภทผลิตภัณฑ์ที่พิมพ์ไว้พร้อมหมายเลขทศกัณฐ์บนฉลาก และส่งชื่อแผนภาพจากตำแหน่งจำหน่ายในพื้นที่ของคุณ

เครื่องหมาย



โปรดอ่านคำแนะนำอย่างระมัดระวังก่อนเริ่มใช้เครื่องมือ



ระวัง! คำเตือน! อันตราย!



ถอดชุดแบตเตอรี่ออกก่อนเริ่มกระทำกรใด ๆ กับผลิตภัณฑ์



สวมแว่นตาป้องกันทุกครั้งที่ใช้ผลิตภัณฑ์นี้



โปรดสวมอุปกรณ์ป้องกันการได้ยิน



สวมถุงมือ



สวมกางเกงขายาวเสมอ



สวมใส่อุปกรณ์นิรภัยที่เหมาะสม



อ่านและทำความเข้าใจคำแนะนำการใช้งานก่อนใช้ผลิตภัณฑ์ ปฏิบัติตามคำเตือนและคำแนะนำด้านความปลอดภัยทั้งหมด



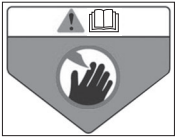
คำเตือน! ระวังวัตถุที่กระเด็นออก - อย่าให้คนที่อยู่ใกล้เสี่ยงเข้าใกล้พื้นที่ทำงาน



คำเตือน! ดูแลให้มือและเท้าให้ห่างจากใบมิดของเครื่องตัดหญ้าเสมอ ถอดแบตเตอรี่ออกก่อนทำการบำรุงรักษาเครื่อง



ระวัง! อันตรายจากการยกผลิตภัณฑ์ อาจทำให้ได้รับบาดเจ็บได้
อย่าจิ้งไฟทำงาน



อันตราย! ดูแลให้มือและเท้าให้ห่างจากใบมีด



มีอันตรายของการบาดเจ็บ



อย่าให้แบตเตอรี่โดนฝน



ให้ตัดหญ้าขวางแนวลาดเอียง ไม่ใช่ไปตามทางขึ้นและทางลงตามแนวลาดเอียง อย่าใช้งานบนพื้นที่ลาดเอียงมากกว่า 15°



อย่าใช้งานผลิตภัณฑ์ในสภาพที่ฝนตกหรือเปียกน้ำ



ใช้คนสองคนเพื่อยกหรือขนย้ายเครื่องตัดหญ้า ยกเครื่องตัดหญ้าโดยใช้กำลังจากขาไม่ใช่จากแผ่นหลัง



ระดับกำลังเสียงที่รับรองคือ 96 เดซิเบล



คำเตือน! ความเสี่ยงของการเกิดไฟฟ้าช็อตได้



อย่าใช้สายยางฉีดน้ำล้างผลิตภัณฑ์ หลีกเลี่ยงอย่าให้เครื่องตัดหญ้าหรือจุดเชื่อมต่อทางไฟฟ้าจุ่มน้ำ



ปุ่มเริ่มทำงานของใบมีด



ปุ่มเลือกความเร็วใบมีดต่ำ/สูง



ปุ่มเปิด/ปิดไฟส่องสว่าง



เพิ่มความเร็วสูงสุด



ลดความเร็วสูงสุด



ต้องใช้แบตเตอรี่ M18 สองก้อน



อุปกรณ์เสริม - ไม่รวมอยู่ในอุปกรณ์มาตรฐาน; จำหน่ายเป็นอุปกรณ์เสริม

n₀

ความเร็วรอบเปล่า

V

แรงดันไฟฟ้า



กระแสตรง



อย่าทิ้งเครื่องมือไฟฟ้า แบตเตอรี่ แบตเตอรี่ชนิดชาร์จซ้ำได้ร่วมกับขยะในครัวเรือน ต้องทิ้งเครื่องมือไฟฟ้าและแบตเตอรี่ที่หมดอายุการใช้งานแยกต่างหากและนำไปยังสถานที่รีไซเคิลที่เป็นมิตรกับสิ่งแวดล้อม

ตรวจสอบกับผู้มีอำนาจในท้องถิ่นของคุณหรือร้านค้าปลีกสำหรับคำแนะนำในการรีไซเคิลและจุดเก็บรวบรวม

DATA TEKNIS**M18 F2LM53**

Type	Mesin pemotong rumput dengan pendorong otomatis tanpa kabel
Tegangan baterai	36 V (2 x 18 V) ---
Kecepatan bilah rendah/tinggi	2800 / 3300 min ⁻¹
Kecepatan gerak dorong otomatis	
Kecepatan 1	0 – 2,5 km/j
Kecepatan 2	0 – 3,5 km/j
Kecepatan 3	0 – 4,5 km/j
Kecepatan 4	0 – 5,5 km/j
Kecepatan 5	0 – 6,5 km/j
Ukuran dek	533 mm
Rentang tinggi pemotongan	25 - 100 mm
Kapasitas penampung rumput	70 l
Bobot sesuai dengan Prosedur EPTA 01/2014 (Li-ion 2 x 12,0 Ah)	38,5 kg
Kaca pelindung	IPX4
Suhu pengoperasian sekitar yang direkomendasikan	-18 – +50 °C
Paket baterai yang direkomendasikan	2 x M18B..., M18 HB...
Pengisi daya yang direkomendasikan	M12-18..., M18 DFC
Informasi kebisingan	
Nilai emisi derau ditentukan menurut EN 62841.	
Tingkat tekanan suara tertimbang A	75,8 dB(A)
K Ketidakpastian	3,0 dB(A)
Tingkat daya suara tertimbang A	93,8 dB(A)
K Ketidakpastian	3,0 dB(A)
Pakai pelindung telinga.	
Informasi vibrasi	
Total nilai vibrasi (jumlah vektor di ketiga aksis) ditentukan sesuai EN 62841	
Nilai a _w emisi getaran	12,7 m/s ²
K Ketidakpastian	1,5 m/s ²

⚠ PERINGATAN!

Tingkat getaran total yang dinyatakan dan tingkat emisi derau yang dinyatakan dalam lembaran informasi ini telah diukur sesuai dengan uji standar yang ditentukan dalam EN 62841 dan dapat digunakan untuk membandingkan satu alat dengan alat lainnya. Dapat digunakan untuk penilaian awal keterpaparan.

Tingkat getaran dan emisi derau yang dinyatakan menggambarkan aplikasi utama alat ini. Namun jika alat ini digunakan untuk aplikasi yang berbeda, dengan aksesoris yang berbeda atau tidak dirawat dengan baik, getaran dan emisi kebisingan yang timbul mungkin berbeda. Kondisi ini dapat meningkatkan tingkat paparan secara signifikan sepanjang periode kerja keseluruhan.

Perkiraan tingkat paparan terhadap getaran dan derau juga harus memperhitungkan saat-saat ketika alat dimatikan atau ketika produk sedang dinyalakan tetapi tidak digunakan. Kondisi ini dapat menurunkan tingkat paparan secara signifikan selama periode kerja total.

Identifikasi langkah-langkah keselamatan tambahan untuk melindungi operator dari efek getaran dan derau, seperti merawat peralatan dan aksesorinya, menjaga tangan tetap hangat, dan mengatur pola kerja.

⚠ PERINGATAN! Baca semua peringatan keselamatan, petunjuk, ilustrasi, dan spesifikasi yang disertakan bersama produk. Tidak dipatuhinya semua petunjuk di bawah ini, dapat berakibat sengatan listrik, kebakaran, dan/atau cedera parah.

Simpan semua peringatan dan petunjuk sebagai referensi sewaktu-waktu.

PERINGATAN KESELAMATAN MESIN PEMOTONG RUMPUT

Jangan gunakan mesin pemotong rumput saat cuaca buruk, terutama ketika ada risiko terjadi petir. Langkah ini mengurangi risiko tersambar petir.

Periksa dengan teliti adanya satwa liar di area tempat mesin pemotong rumput akan digunakan. Satwa liar dapat terluka oleh produk selama pengoperasian.

Periksa dengan teliti area tempat mesin pemotong rumput akan digunakan dan singkirkan semua batu, kayu, kabel, tulang, dan benda asing lainnya. Objek yang terlempar dapat menyebabkan cedera.

Sebelum menggunakan mesin pemotong rumput, selalu periksa secara visual untuk memastikan pemotong dan pemasangan pemotong tidak aus atau rusak. Komponen yang aus atau rusak meningkatkan risiko cedera.

Periksa penampang rumput secara berkala untuk adanya aus atau kerusakan. Penampang rumput yang aus atau rusak dapat meningkatkan risiko cedera.

Jaga pelindung tetap berada di tempatnya. Pelindung harus dalam kondisi kerja dan dipasang dengan benar. Pelindung yang longgar, rusak, atau tidak berfungsi dengan baik dapat menyebabkan cedera.

Jaga agar semua saluran masuk udara pendingin bersih dari serpihan. Saluran masuk udara yang tersumbat dan kotoran dapat menyebabkan pemanasan berlebih atau risiko kebakaran.

Saat mengoperasikan mesin pemotong rumput, selalu kenakan alas kaki antiselip dan pelindung. Jangan mengoperasikan mesin pemotong rumput saat tanpa alas kaki atau mengenakan sandal terbuka. Langkah ini mengurangi kemungkinan cedera pada kaki akibat kontak dengan pemotong yang bergerak.

Saat mengoperasikan produk, selalu kenakan celana panjang. Kuit yang terbuka meningkatkan kemungkinan cedera oleh benda yang terlempar.

Jangan mengoperasikan mesin pemotong rumput di rumput yang basah. Berjalan, jangan pernah berlari. Langkah ini mengurangi risiko terpeleset dan jatuh yang dapat mengakibatkan cedera.

Jangan mengoperasikan mesin di lereng yang terlalu curam. Langkah ini mengurangi risiko kehilangan kendali, terpeleset, dan jatuh yang dapat mengakibatkan cedera.

Saat bekerja di lereng, selalu pastikan pijakan Anda, selalu bekerja di seberang lereng, jangan naik atau turun dan berhati-hatilah saat mengubah arah. Langkah ini mengurangi risiko kehilangan kendali, terpeleset, dan jatuh yang dapat mengakibatkan cedera.

Berhati-hatilah saat membalik atau menarik mesin pemotong rumput ke arah Anda. Selalu waspada dengan lingkungan Anda. Hal ini mengurangi risiko tersandung selama pengoperasian.

Jangan sentuh mata pisau dan bagian bergerak berbahaya lainnya ketika masih bergerak. Hal ini mengurangi risiko cedera akibat bagian yang bergerak.

Saat membersihkan materi yang tersangkut atau membersihkan mesin pemotong rumput, pastikan semua sakelar daya dimatikan dan unit baterai dilepaskan. Operasi tak terduga mesin pemotong rumput mungkin menyebabkan cedera serius.

Hentikan produk segera setelah membentur benda asing atau saat produk bergetar tidak normal.

Lepaskan unit baterai dan pastikan semua komponen yang bergerak telah berhenti dengan sempurna:

- setelah membentur benda asing periksa produk untuk kemungkinan adanya kerusakan dan lakukan perbaikan sebelum memulai kembali dan mengoperasikan produk.
- Saat produk mulai bergetar secara abnormal segera periksa adanya kerusakan, ganti, atau perbaiki bagian yang rusak dan cek serta kencangkan bagian yang longgar.

PETUNJUK KESELAMATAN DAN KERJA TAMBAHAN

Jangan mengoperasikan produk sebelum memastikan kantung rumput, sumbat mulsa, atau pembuangan sisi belakang sudah terpasang dengan benar dan berfungsi dengan baik. Periksa dengan teratur tanda-tanda adanya aus atau kerusakan dan lakukan penggantian bila diperlukan.

Pastikan perangkat pengaman (pintu belakang, sambungan pembuangan, pelindung, dll.) berada di tempatnya dan bekerja dengan baik.

Periksa area dan singkirkan serpihan sebelum memotong rumput. Singkirkan semua batu, ranting, tulang, dan benda lainnya.

Waspadalah akan benda yang terlempar. Benda yang tertabrak pemotong pada mesin ini dapat terlempar dan menyebabkan cedera serius dan/atau kerusakan pada produk.

Lepaskan fungsi gerak otomatis sebelum menjalankan produk.

Jangan pernah mencoba menyesuaikan ketinggian roda saat mesin potong rumput sedang berjalan.

Jangan paparkan produk pada air atau mengoperasikannya di permukaan yang basah. Jangan gunakan produk di bawah hujan.

Jauhkan tangan dan kaki dari bilah pisau. Jangan menjangkau ke bagian bawah pelindung pemotong. Jaga agar lubang pembuangan tidak terhalang apa pun setiap saat. Jangan arahkan materi pembuangan ke orang lain. Hindari membuang materi ke arah dinding atau penghalang. Materi ini dapat memantul ke arah operator.

Lihat ke arah bawah dan belakang sebelum dan selama bergerak mundur. Jangan memotong rumput secara mundur kecuali memang sangat diperlukan.

Selalu pastikan tempat pijakan. Pegang gagang dengan kuat dan berjalan, jangan berlari.

Hindari lubang, cekungan jalan, gundukan, batu, atau benda berbahaya lain yang tidak terlihat. Medan yang tidak rata dapat membuat produk terguling, atau menyebabkan operator kehilangan keseimbangan atau pijakan.

Hentikan pemotong saat menyeberangi jalur, trotoar, atau jalan berbatu. Matikan mesin dan tunggu hingga pemotong berhenti sempurna sebelum melepaskan penampang rumput atau sebelum membersihkan saluran pembuangan yang tersumbat.

Jangan tinggalkan produk yang sedang berjalan. Selalu parkir produk di tempat yang rata dan dalam keadaan mati.

Tutup penutup baterai selama digunakan.

Jangan menatap lampu pengoperasian saat LED lampu besar dinyalakan.

Jangan pernah membiarkan anak-anak, orang dengan kemampuan fisik, indra atau mental yang kurang atau tidak berpengalaman dan berpengetahuan, atau orang-orang yang tidak paham dengan petunjuk penggunaan menggunakan produk ini, peraturan setempat dapat membatasi usia operator.

Waspadalah akan benda yang terlempar. Semua pengamat, anak-anak, dan hewan peliharaan harus berjarak setidaknya 30 m dari area kerja.

Jangan mengoperasikan produk dalam kondisi pencahayaan yang kurang baik. Operator membutuhkan gambaran yang jelas akan area kerja guna mengidentifikasi potensi bahaya.

Periksa produk sebelum digunakan. Periksa apakah ada pengunci yang longgar, dll. Pastikan semua pelindung, dan tuas terpasang dengan baik dan aman. Ganti semua bagian yang rusak sebelum digunakan. Periksa akan adanya kebocoran paket baterai.

Jangan memodifikasi produk dengan cara apa pun.

Jangan membiarkan anak-anak atau orang yang tidak terlatih menggunakan produk ini.

Gunakan pelindung mata dan telinga keseluruhan saat mengoperasikan produk. Jika bekerja di dalam sebuah area di mana ada risiko benda jatuh, pelindung kepala harus digunakan.

Ikatlah rambut yang panjang sehingga rambut berada di atas bahu agar tidak tersangkut di dalam bagian alat yang bergerak.

Jangan menggunakan produk ketika Anda sedang lelah, sakit, atau di bawah pengaruh alkohol, obat-obatan atau dalam pengobatan.

Jaga pijakan dan keseimbangan tetap kokoh. Jangan melampaui batas. Menjangkau melampaui batas dapat mengakibatkan hilangnya keseimbangan atau paparan ke permukaan yang panas.

Jangan memiringkan produk saat menghidupkan motor.

Lepaskan paket baterai sebelum memulai pekerjaan apa pun pada produk.

PENGOPERASIAN DI LERENG

Jangan dioperasikan pada kemiringan lebih besar dari 15°. Jalankan produk melintasi lereng, jangan naik dan turun.

Pengoperasian pada lereng meningkatkan risiko tergelincir dan jatuh yang dapat mengakibatkan cedera serius.

Pengoperasian pada lereng harus lebih hati-hati. Jika Anda merasa tidak yakin, jangan lakukan.

Selalu pastikan tempat pijakan Anda. Tergelincir dan jatuh akan menyebabkan cedera serius. Jika Anda merasa kehilangan keseimbangan, segera lepaskan palang keamanan.

Lakukan dengan sangat hati-hati saat mengubah arah di lereng. Hindari memulai atau menghentikan kerja di lereng. Hindari melakukan perubahan kecepatan atau arah secara tiba-tiba. Belok dengan perlahan dan bertahap.

Hati-hati saat mengoperasikan produk dekat turunan.

Jangan mengoperasikan produk bila kondisi cengkeram, kemudi, atau kestabilannya meragukan. Roda dapat tergelincir walaupun telah berhenti berputar.

Selalu kontrol produk dengan baik saat menuruni lereng. Jangan meluncur menuruni lereng.

Tetap hati-hati saat mengoperasikan produk yang dilengkapi penampung rumput. Penampung rumput yang berat dapat memengaruhi kestabilan produk.

Perhatikan adanya lubang, cekungan jalan, batu, benda tak terlihat, atau gundukan yang dapat menyebabkan tergelincir atau tersandung. Rumput yang tinggi dapat menyembunyikan rintangan. Singkirkan semua benda seperti batu, ranting pohon, dll., yang dapat menyebabkan tersandung atau terlempar oleh pemotong.

KONDISI PENGGUNAAN KHUSUS

Mesin pemotong rumput nirkabel ini hanya dimaksudkan untuk digunakan di luar ruangan.

Mesin pemotong rumput ini ditujukan untuk memotong rumput pada permukaan rata. Produk ini adalah pemotong rumput dikontrol dari belakang oleh pejalan kaki dan dirancang untuk fitur gerak dorong otomatis.

Mesin pemotong rumput ini tidak boleh dioperasikan dengan roda terangkat. Produk ini juga tidak boleh ditarik atau dinaiki.

Jangan menggunakan produk untuk tujuan lain.

RISIKO RESIDUAL

Bahkan ketika produk digunakan seperti yang ditentukan, masih tidak mungkin untuk sepenuhnya menghilangkan faktor risiko residual tertentu. Bahaya berikut mungkin timbul dalam penggunaan dan operator harus memberikan perhatian khusus untuk menghindari hal-hal berikut:

- cedera yang disebabkan oleh vibrasi
 - Pegang produk dengan menggunakan tuas yang disediakan dan batasi waktu kerja dan paparan.
- cedera pendengaran yang disebabkan paparan terhadap suara
 - Kerusakan pendengaran, batasi paparan dan gunakan pelindung pendengaran yang sesuai.
- cedera akibat terbangannya serpihan
 - Kenakan alat pelindung diri yang sesuai, celana panjang yang tebal, sarung tangan, alas kaki yang kuat, danacamata pengaman, setiap saat.
- bahaya kesehatan yang disebabkan oleh terhirupnya debu beracun
 - Gunakan masker jika perlu.

BATERAI

Paket baterai yang belum digunakan selama beberapa waktu harus diisi kembali dayanya sebelum digunakan.

Suhu yang melebihi 50°C akan mengurangi kinerja paket baterai. Hindari paparan berkepanjangan terhadap panas atau sinar matahari (risiko panas berlebihan).

Kontak pengisi daya dan paket baterai harus dijaga kebersihannya.

Untuk masa pemakaian optimal, paket baterai harus diisi dayanya hingga penuh setelah digunakan.

Untuk memaksimalkan masa pemakaian baterai, lepaskan paket baterai dari pengisi daya setelah terisi sepenuhnya.

Untuk penyimpanan paket baterai lebih dari 30 hari:

- Simpan paket baterai jika suhu berada di bawah 27°C dan jauhkan dari kelembapan.
- Simpan paket baterai dalam kondisi terisi dayanya 30% - 50%.
- Jika penyimpanan paket baterai mencapai enam bulan, isi daya baterai seperti biasa.

Jangan membuang unit baterai bekas dalam sampah rumah tangga atau membakarnya. Distributor MILWAUKEE menawarkan untuk mengambil baterai lama guna melindungi lingkungan kita.

Jangan menyimpan paket baterai bersama benda logam (risiko arus pendek).

Hanya gunakan pengisi daya System M18 untuk mengisi daya paket baterai System M18. Jangan menggunakan unit baterai dari sistem lain.

Jangan sekali-kali membuka unit baterai dan pengisi daya serta hanya simpan di tempat kering. Jaga kemasan baterai dan pengisi daya tetap kering di sepanjang waktu.

Asam baterai dapat merembes dari baterai yang rusak akibat beban atau suhu yang ekstrem. Jika asam baterai mengenai Anda, segera cuci dengan sabun dan air. Jika mengenai mata, bilas sebanyak-banyaknya selama setidaknya 10 menit dan segera dapatkan penanganan medis.

Tidak ada komponen logam yang diperbolehkan memasuki kompartemen baterai pada pengisi daya (risiko arus pendek).

PERINGATAN KESELAMATAN BATERAI TAMBAHAN

⚠ PERINGATAN! Untuk mengurangi risiko kebakaran, cedera pribadi, dan kerusakan produk akibat hubungan arus pendek, jangan pernah merendam alat, baterai atau charger Anda dalam cairan atau membiarkan cairan mengalir di dalamnya. Cairan korosif atau konduktif, seperti air laut, bahan kimia industri tertentu, dan produk pemutih atau yang mengandung pemutih, dan sebagainya, dapat menyebabkan hubungan arus pendek.

PERLINDUNGAN KEMASAN BATERAI

Dalam torsi yang sangat tinggi, mengikat, mogok dan situasi arus pendek yang menyebabkan tarikan arus tinggi, alat akan bergetar selama sekitar 5 detik, pengukur bahan bakar akan berkedip, dan kemudian alat akan padam. Untuk menyetel ulang, lepaskan pemacu.

Dalam kondisi ekstrem, suhu dalam baterai dapat meningkat. Jika hal ini terjadi, pengukur bahan bakar akan berkedip hingga paket baterai menjadi lebih dingin. Ketika lampu padam, lanjutkan pekerjaan.

MENGANGKUT BATERAI LITIUUM

Baterai litium-ion tunduk pada persyaratan Legislasi Barang Berbahaya.

Pengangkutan baterai ini harus dilakukan sesuai regulasi dan peraturan daerah, nasional, dan internasional.

- Baterai dapat diangkat melalui jalan darat tanpa persyaratan khusus.
- Pengangkutan komersial baterai lithium-ion oleh pihak ketiga harus tunduk pada Peraturan terkait Barang Berbahaya. Persiapan pengangkutan dan pengangkutan harus dilakukan oleh orang yang terlatih dan prosesnya harus didampingi oleh pakar yang terkait.

Ketika mengangkat baterai:

- Pastikan terminal kontak baterai terlindungi dan terinsulasi untuk mencegah terjadinya korsleting.
 - Pastikan bahwa unit baterai aman dari gerakan dalam pengemasan.
 - Jangan mengangkat baterai yang retak atau bocor.
- Tanyakan kepada perusahaan ekspedisi untuk mendapatkan saran lebih lanjut.

DESKRIPSI FUNGSIONAL

1. Pintu bagian belakang
2. Gagang angkat belakang
3. Pengukur daya
4. Gagang pengatur ketinggian
5. Kompartemen baterai
6. Gagang angkat depan
7. Lampu besar LED
8. Bilah
9. Tombol mulai/Daya aktif pemotong
10. Mulai/berhenti maju otomatis dan pedal kecepatan variabel
11. Gagang
12. Palang keamanan
13. Pemutar kecepatan maju otomatis
14. Tombol kecepatan rendah/tinggi pemotong
15. Tombol hidup/mati lampu besar LED
16. Kenop pengunci gagang
17. Kenop mengatur gagang
18. Kantung penampung rumput
19. Saluran pembuangan sisi belakang
20. Sumbat mulsa

TIPS PEMOTONGAN RUMPUT UMUM

Masa pakai baterai tergantung pada kondisi, tinggi, dan kerapatan rumput. Atur ketinggian pemotongan mesin pemotong rumput agar sesuai dengan kondisi lapangan saat ini.

Untuk hasil yang terbaik, selalu potong rumput sepertiga atau kurang dari tingginya.

Saat memotong rumput yang tinggi, kurangi kecepatan agar pemotongan lebih efektif dan pembuangan potongan rumput yang sesuai.

Jangan memotong rumput yang basah, karena akan menempel di bagian bawah dek dan menghalangi pengumpulan atau pembuangan potongan rumput.

Rumput yang baru atau tebal akan memerlukan pemotongan yang lebih tinggi.

Jika Anda ingin mengumpulkan potongan rumput untuk dibuang sekaligus, lepaskan penutup mulsa dan pasang kantung penampung rumput, pastikan sirip penutup atas terpasang dengan benar. Kosongkan kantung pengumpul rumput secara teratur; jika tidak, saluran pembuangan akan tersumbat potongan rumput.

Jika Anda melakukan potongan ringan dan ingin membiarkan potongan rumput di lapangan, pasang sumbat mulsa dan tutup sirip penutup atas untuk menutupi lubang pembuangan. Dalam kondisi ini, kantung pengumpul rumput tidak perlu dipasang.

Produk ini dirancang untuk beroperasi dan memotong secara efektif bila digerakkan ke arah depan.

Memotong rumput yang lebih tinggi akan menambah waktu penggunaan unit baterai.

MEMBERSIHKAN SUMBATAN

Matikan mesin pemotong rumput dan lepaskan unit baterai. Pastikan semua komponen yang bergerak telah berhenti dengan sempurna: Selalu gunakan sarung tangan keamanan saat memeriksa atau membersihkan sumbatan.

Bilah pisau sangat tajam dan sumbatannya sendiri termasuk benda yang tajam.

Lepaskan kantung pengumpul rumput, periksa dan bersihkan benda yang menghalangi.

Periksa sumbatan pada saluran pembuangan rumput dan bersihkan.

Letakkan mesin pemotong rumput pada bagian sisinya, periksa bagian sisi bawah, dan area sekitar pemotong. Jika ditemukan penyumbatan, bersihkan dengan hati-hati. Harap diingat pemotong dapat bergerak selama pembersihan.

PENGANGKUTAN DAN PENYIMPANAN

Diperlukan 2 orang bila bermaksud untuk mengangkat atau membawa produk. Produk ini berat. Angkat dengan tumpuan pada kaki, bukan pada punggung.

Matikan produk, lepaskan baterai, dan biarkan dingin sebelum menyimpan atau mengangkutnya.

Bersihkan semua material asing dari produk. Simpanlah di dalam tempat yang sejuk dan berventilasi baik yang tidak dapat dijangkau oleh anak-anak. Jauhkan produk dari bahan-bahan korosif seperti bahan kimia untuk berkebun dan garam peluruh es. Jangan menyimpan produk di luar ruangan.

Untuk pengangkutan dengan kendaraan, amankan produk dari pergerakan atau kejatuhan agar tidak menyebabkan cedera terhadap seseorang atau produk itu sendiri.

AKSESORI

MILWAUKEE ID. no.	Suku Cadang
4932 4798 18	Bilah pemotong rumput 21 inci/ 53 cm
4932 4798 19	Bilah pemotong rumput HP 21 inci/ 53 cm
4932 4798 21	Penutup mesin pemotong rumput 21 inci/ 53 cm

PEMELIHARAAN

Periksa dengan interval yang sering bagian pemotong dan seluruh rakitan, juga baut pengatur serta pengencang agar tetap kencang. Periksa pemasangan pengumpul rumput secara teratur dan ganti dengan produk yang sesuai dengan rekomendasi bila ada aus atau kerusakan.

Jangan mencuci produk menggunakan selang. Jaga agar produk dan sambungan elektrik tidak terkena air.

Lepaskan unit baterai sebelum perawatan, perakitan, penyetulan, pembersihan, pembersihan sumbat, atau saat produk tidak digunakan.

Rawat produk dengan hati-hati. Menjaga agar tepi pemotong tetap tajam dan bersih untuk mendapatkan performa terbaik serta aman.

Hanya gunakan pemotong pengganti MILWAUKEE yang sama.

Lakukan perbaikan bilah pisau dengan hati-hati. Bungkus pemotong atau naikan sarung tangan. Ganti pemotong yang rusak. Jangan memperbaiki atau mengubah pemotong.

Gunakan hanya suku cadang, aksesoris, dan kelengkapan yang direkomendasikan oleh produsen. Gagal melakukan demikian dapat menyebabkan cedera, menambah kinerja yang buruk, dan dapat membatalkan garansi Anda.

Asah pemotong yang majal pada tiap ujung untuk menjaga keseimbangan.

Bersihkan pemotong dengan saksama dan periksa keseimbangannya dengan menempatkannya secara horizontal pada paku tipis melalui lubang tengah. Paku ini juga harus berada pada posisi horizontal. Jika salah satu ujung pemotong berputar ke arah bawah, bersihkan logam dari ujung berat atau yang lebih rendah ini sampai pemotong seimbang. Pemotong ini sudah seimbang bila tidak ada sisi yang turun.

Ganti pemotong bila melengkung atau retak. Pemotong yang tidak seimbang akan menyebabkan getaran yang dapat merusak produk atau menyebabkan cedera.

Gunakan hanya aksesoris MILWAUKEE dan suku cadang MILWAUKEE. Jika komponen yang belum dijelaskan harus diganti, hubungi salah satu dari pusat layanan MILWAUKEE kami (lihat daftar alamat layanan/garansi kami).

Jika diperlukan, gambar pecahan komponen dapat dipesan. Sebutkan tipe produk dan enam digit angka yang tertera pada label dan pesanlah gambarnya pada agen layanan setempat.

SIMBOL



Baca petunjuk dengan cermat sebelum memulai menggunakan produk.



PERHATIAN! PERINGATAN! BAHAYA!



Lepaskan paket baterai sebelum memulai pekerjaan apa pun pada produk.



Selalu pakai kacamata goggle saat menggunakan produk ini.



Pakai pelindung telinga.



Pakai sarung tangan.



Kenakan celana panjang.



Pakai sepatu keselamatan.



Baca dan pahami semua petunjuk sebelum mengoperasikan produk. Ikuti semua peringatan dan petunjuk keselamatan.



PERINGATAN! Berhati-hatilah terhadap benda yang terlempar – jangan dekat orang lain.



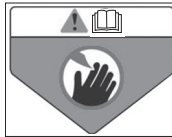
PERINGATAN! Jauhkan tangan dan kaki dari bilah pisau. Lepaskan baterai sebelum perawatan.



PERHATIAN! Bahaya saat mengangkat. Dapat menyebabkan cedera.



Jangan menatap pada lampu yang sedang beroperasi.



BAHAYA! Jauhkan tangan dan kaki.



Bahaya menyebabkan hancur



Jangan biarkan produk terkena hujan.



Jalankan produk melintasi lereng, jangan naik dan turun. Jangan dioperasikan pada kemiringan lebih besar dari 15°.



Jangan mengoperasikan produk di bawah curah hujan atau kondisi basah.



Diperlukan dua orang untuk mengangkat atau membawa mesin pemotong rumput. Angkat dengan tumpuan pada kaki, bukan pada punggung.



Tingkat daya bunyi terjamin adalah 96 dB.



Resiko sengatan listrik.



Jangan mencuci produk menggunakan selang. Jaga agar produk dan sambungan elektrik tidak terkena air.



Tombol mulai bilah pisau



Tombol kecepatan rendah/tinggi pemotong



Tombol AKTIF/NONAKTIF lampu besar



Kecepatan maks. lebih tinggi



Kecepatan maks. lebih rendah



Diperlukan dua baterai M18.



Aksesori - Tidak termasuk di dalam peralatan standar; tersedia sebagai aksesori.

n_0

Kecepatan tanpa beban

V

Voltase



Arus Searah



Jangan membuang alat-alat listrik, baterai/baterai isi ulang bersama-sama dengan sampah rumah tangga. Peralatan listrik dan baterai yang telah mencapai akhir masa pakainya harus dikumpulkan secara terpisah dan dikembalikan ke fasilitas daur ulang yang kompatibel terhadap lingkungan.

Tanyakan kepada pihak berwenang atau peritel setempat mengenai daur ulang dan titik pengumpulan.

THÔNG SỐ KỸ THUẬT**M18 F2LM53**

Loại	Máy cắt cỏ tự hành không dây
Điện áp pin	36 V (2 x 18 V) ---
Tốc độ lưỡi cắt thấp/cao	2800 / 3300 min ⁻¹
Tốc độ lái xe tự hành	
Tốc độ 1	0 – 2,5 km/giờ
Tốc độ 2	0 – 3,5 km/giờ
Tốc độ 3	0 – 4,5 km/giờ
Tốc độ 4	0 – 5,5 km/giờ
Tốc độ 5	0 – 6,5 km/giờ
Kích cỡ sàn	533 mm
Phạm vi chiều cao cắt	25 - 100 mm
Công suất bộ gom cỏ	70 l
Trọng lượng theo Quy Trình EPTA 01/2014 (Li-ion 2 x 12,0 Ah)	38,5 kg
Cấp độ bảo vệ	IPX4
Nhiệt độ môi trường khuyến nghị khi vận hành	-18 – +50 °C
Loại pin được khuyến nghị	2 x M18B..., M18 HB...
Bộ sạc được khuyến nghị	M12-18..., M18 DFC
Thông tin về tiếng ồn	
Giá trị phát sinh tiếng ồn được xác định theo tiêu chuẩn EN 62841.	
Cấp độ áp suất âm thanh trọng số A	75,8 dB(A)
Độ bất định K	3,0 dB(A)
Cấp độ công suất âm thanh trọng số A	93,8 dB(A)
Độ bất định K	3,0 dB(A)
Đeo thiết bị bảo vệ tai.	
Thông tin về độ rung	
Tổng giá trị rung chấn (tổng véc-tơ theo ba trục) được xác định theo tiêu chuẩn EN 62841	
Giá trị phát thải rung chấn a _h	12,7 m/s ²
Độ bất định K	1,5 m/s ²

⚠ CẢNH BÁO!

Tổng giá trị mức độ rung chấn và giá trị phát thải tiếng ồn được công bố được đưa ra trong hướng dẫn sử dụng này đã được đo theo thử nghiệm chuẩn hóa đã cho ở mục EN 62841 và có thể được sử dụng để so sánh với công cụ khác. Có thể sử dụng chúng để đánh giá sơ bộ về mức độ tiếp xúc.

Các giá trị phát thải tiếng ồn và rung chấn được công bố thể hiện cho ứng dụng chính của công cụ. Tuy nhiên, nếu sản phẩm được sử dụng cho các ứng dụng khác nhau, với các phụ kiện khác nhau hoặc được bảo dưỡng kém, thì mức độ phát rung chấn và tiếng ồn có thể khác nhau. Những điều kiện này có thể làm tăng đáng kể mức độ tiếp xúc trong tổng thời gian làm việc.

Việc ước tính mức độ tiếp xúc với tiếng ồn và rung chấn cần tính đến số lần công cụ được tắt hoặc khi nó đang chạy không tải. Những điều kiện này có thể làm giảm đáng kể mức độ tiếp xúc trong tổng thời gian làm việc.

Xác định các biện pháp an toàn bổ sung để bảo vệ người vận hành khỏi các tác động của rung chấn và tiếng ồn, như bảo trì công cụ và các phụ kiện, giữ cho tay ấm, sắp xếp các quy trình làm việc.

⚠ CẢNH BÁO! Hãy đọc tất cả các cảnh báo an toàn, hướng dẫn, hình minh họa và thông số kỹ thuật đi kèm sản phẩm này. Không tuân thủ những cảnh báo và chỉ dẫn có thể dẫn đến giật điện, hỏa hoạn và/hoặc chấn thương nghiêm trọng.

Giữ lại tất cả những cảnh báo và chỉ dẫn để tham khảo sau này.

CẢNH BÁO AN TOÀN DÀNH CHO MÁY CẮT CỎ

Không sử dụng máy cắt cỏ trong điều kiện thời tiết xấu, đặc biệt là khi có nguy cơ xảy ra sét đánh. Làm như vậy sẽ giúp giảm nguy cơ bị sét đánh.

Kiểm tra kỹ lưỡng khu vực có động vật hoang dã nơi sẽ sử dụng máy cắt cỏ. Động vật hoang dã có thể bị thương do sản phẩm trong quá trình vận hành.

Kiểm tra kỹ khu vực sử dụng máy cắt cỏ và loại bỏ tất cả đá, que, dây, xương và các vật lạ khác. Vật thể bị văng ra có thể gây thương tích cho người.

Trước khi sử dụng máy cắt cỏ, luôn kiểm tra bằng mắt thường để đảm bảo rằng lưỡi cắt và cụm lưỡi cắt không bị hao mòn hoặc hư hỏng. Các bộ phận bị hao mòn hoặc hư hỏng làm tăng nguy cơ bị thương.

Thường xuyên kiểm tra bộ gom cỏ xem có bị hao mòn hoặc hư hỏng không. Bộ gom cỏ bị hao mòn hoặc hư hỏng có thể gia tăng nguy cơ bị thương.

Giữ các khung bảo vệ tại chỗ. Các khung bảo vệ phải hoạt động tốt và phải được lắp đúng cách. Khung bảo vệ bị lỏng, bị hỏng hoặc hoạt động không chính xác có thể dẫn đến thương tích cá nhân.

Giữ cho tất cả các cửa hút gió làm mát không có chặn bản. Các cửa hút gió bị tắc và mảnh vụn có thể dẫn đến quá nhiệt hoặc có nguy cơ cháy nổ.

Trong khi vận hành máy cắt cỏ, luôn đeo giày bảo hộ và chống trượt. Không vận hành máy cắt cỏ khi đi chân trần hoặc đi dép hồ. Làm vậy sẽ giúp giảm nguy cơ bị thương cho bàn chân do tiếp xúc với lưỡi cắt đang di chuyển.

Trong khi vận hành sản phẩm, luôn mặc quần dài. Da tiếp xúc làm tăng khả năng bị thương do va đập.

Không vận hành máy cắt cỏ ở nơi có cỏ ướt. Đi bộ, đừng bao giờ chạy. Làm vậy sẽ giúp giảm nguy cơ bị trượt và ngã có thể dẫn đến thương tích cá nhân.

Không vận hành máy cắt cỏ trên các dốc quá cao. Làm vậy sẽ giúp giảm nguy cơ mất kiểm soát, trượt và ngã có thể dẫn đến thương tích cá nhân.

Khi làm việc trên dốc, hãy luôn để chân chắc chắn, luôn làm việc trên mặt của dốc, không bao giờ đưa lên hoặc xuống và hết sức thận trọng khi thay đổi hướng. Làm vậy sẽ giúp giảm nguy cơ mất kiểm soát, trượt và ngã có thể dẫn đến thương tích cá nhân.

Hãy hết sức thận trọng khi lùi hoặc kéo máy cắt cỏ về phía bạn. Luôn để ý đến môi trường xung quanh bạn. Điều này làm giảm nguy cơ vấp ngã trong quá trình vận hành.

Không chạm vào các lưỡi cắt cắt và các bộ phận chuyển động nguy hiểm khác khi chúng vẫn đang chuyển động. Điều này làm giảm nguy cơ chấn thương từ các bộ phận chuyển động.

Khi dọn vật liệu bị kẹt hoặc vệ sinh máy cắt cỏ, hãy đảm bảo đã đã tắt tất cả các công tắc nguồn và đã ngắt kết nối bộ pin. Máy cắt cỏ hoạt động bất ngờ có thể dẫn đến bị thương nghiêm trọng.

Dừng sản phẩm ngay lập tức sau khi chạm vào vật lạ hoặc khi sản phẩm bắt đầu rung bất thường.

Tháo bộ pin và đảm bảo rằng tất cả các bộ phận chuyển động đã dừng hoàn toàn:

- Sau khi va chạm với vật thể lạ, hãy kiểm tra sản phẩm để tìm hư hỏng và sửa chữa trước khi khởi động lại và vận hành sản phẩm.
- Khi sản phẩm bắt đầu rung động bất thường, lập tức kiểm tra xem có hư hỏng không, có phải thay thế hoặc sửa chữa bất kỳ bộ phận nào bị hư hỏng hay không và kiểm tra và siết chặt bất kỳ bộ phận nào bị lỏng.

HƯỚNG DẪN AN TOÀN VÀ HOẠT ĐỘNG BỔ SUNG

Không vận hành sản phẩm trừ khi túi cỏ, nút phủ hoặc bộ xả phía sau được lắp đặt chính xác và hoạt động bình thường. Thường xuyên kiểm tra các dấu hiệu hao mòn hoặc hư hỏng và thay thế nếu cần.

Đảm bảo rằng các thiết bị an toàn (cửa sau, phụ kiện xả, quai cầm, v.v.) ở đúng vị trí và ở tình trạng hoạt động tốt.

Kiểm tra khu vực và loại bỏ các mảnh vụn trước khi cắt cỏ. Loại bỏ tất cả đá, que, dây điện, xương và các vật lạ khác. Cẩn thận với những đồ vật bị văng ra. Các vật bị va đập vào lưỡi máy cắt cỏ có thể bị văng ra và gây ra thương tích nghiêm trọng và/hoặc làm hỏng sản phẩm.

Ngắt chức năng tự hành trước khi khởi động sản phẩm.

Không bao giờ tìm cách điều chỉnh độ cao của bánh xe trong khi máy cắt đang chạy.

Không để sản phẩm tiếp xúc với nước hoặc hoạt động trên nền đất ẩm ướt. Không sử dụng sản phẩm trong trời mưa.

Đề tay và chân tránh xa các lưỡi cắt. Không vói vào dưới bộ khung bảo vệ lưỡi cắt. Luôn duy trì tình trạng thông thoáng lỗ xả. Không hướng vật liệu xả về phía bất kỳ ai. Tránh xa vật liệu vào tường hoặc vật cản. Vật liệu có thể chảy ngược về phía người vận hành.

Nhìn phía dưới và phía sau trước và trong khi lùi về phía sau. Không cắt ngược lại trừ khi thực sự cần thiết.

Luôn bước vững chân. Giữ chặt tay cầm và bước đi từ từ, không được chạy.

Tránh các lỗ, rãnh, va đập, đá hoặc các mối nguy hiểm tiềm ẩn khác. Địa hình không bằng phẳng có thể làm lật sản phẩm hoặc khiến người vận hành mất thăng bằng hoặc trượt chân.

Dừng lưỡi cắt khi đi qua các ổ, đường đi bộ hoặc đường sỏi. Tắt động cơ và đợi cho đến khi lưỡi cắt dừng hoàn toàn trước khi tháo bộ gom cỏ hoặc trước khi mở màng.

Không được để sản phẩm tự chạy mà không có sự giám sát. Luôn để sản phẩm trên mặt đất bằng phẳng và tắt sản phẩm.

Đóng nắp pin trong quá trình sử dụng.

Không nhìn chằm chằm vào đèn điều khiển khi đèn pha LED đang bật.

Không bao giờ cho phép trẻ em, người có chức năng thể chất, giác quan hoặc nhận thức suy giảm, người thiếu kiến thức và kinh nghiệm, hoặc những người không biết những hướng dẫn này sử dụng sản phẩm, các quy định địa phương có thể hạn chế độ tuổi của người vận hành.

Cẩn thận với những đồ vật bị văng ra. Yêu cầu những người xung quanh, trẻ em và vật nuôi cách xa khu vực làm việc ít nhất 30 m.

Không sử dụng sản phẩm trong điều kiện ánh sáng kém. Người vận hành cần có tầm nhìn rõ ràng ở khu vực làm việc để xác định các mối nguy tiềm ẩn.

Kiểm tra sản phẩm trước mỗi lần sử dụng. Kiểm tra xem các chốt có bị lỏng không, v.v. Đảm bảo rằng tất cả các khung bảo vệ và tay cầm được gắn đúng cách và chắc chắn. Thay thế bất kỳ bộ phận nào bị hỏng trước khi sử dụng. Kiểm tra các bộ pin xem có rò rỉ không.

Không sửa đổi sản phẩm dưới bất kỳ hình thức nào.

Không cho phép trẻ em hoặc người chưa được đào tạo sử dụng sản phẩm.

Đeo thiết bị bảo vệ mắt và thính giác đầy đủ trong khi vận hành sản phẩm. Nếu làm việc trong khu vực có nguy cơ rơi đồ vật, hãy đeo thiết bị bảo vệ đầu thích hợp.

Cột chặt phần tóc dài trên vai để tránh vướng vào các bộ phận chuyển động.

Không sử dụng sản phẩm trong khi bạn đang mệt mỏi hoặc chịu ảnh hưởng từ rượu, ma túy hoặc thuốc.

Giữ chân vững chắc và cân bằng. Không vói quá xa. Vói quá xa có thể dẫn đến mất cân bằng hoặc tiếp xúc với bề mặt nóng.

Không nghiêng sản phẩm khi bật động cơ.

Tháo pin trước khi bắt đầu thao tác với sản phẩm.

VẬN HÀNH TRÊN DỐC

Không vận hành sản phẩm trên độ nghiêng lớn hơn 15°. Cắt qua dốc, không lên và xuống.

Vận hành máy trên dốc làm tăng nguy cơ trượt và ngã, có thể dẫn đến thương tích nặng.

Vận hành máy trên dốc đòi hỏi phải thận trọng hơn. Nếu bạn cảm thấy không thoải mái trên con dốc thì dừng cắt cỏ trên dốc đó.

Luôn bước vững chân. Trượt và ngã có thể gây ra thương tích nghiêm trọng cho người. Nếu bạn cảm thấy mình đang mất thăng bằng, hãy thả ngay thanh quai cầm ra.

Hết sức thận trọng khi chuyển hướng trên dốc. Tránh khởi động và

dừng lại trên dốc. Tránh đột ngột thay đổi tốc độ hoặc hướng. Thực hiện lần lượt từ từ và dần dần.

Hãy thận trọng khi vận hành gần nơi dốc thẳng đứng.

Không vận hành sản phẩm trong bất kỳ điều kiện nào có vấn đề về lực kéo, đánh lái hoặc độ ổn định. Lốp xe có thể trượt ngay cả khi bánh xe đang đứng.

Luôn kiểm soát sản phẩm khi xuống dốc. Đừng xuống dốc bờ biển.

Cẩn thận hơn trong khi vận hành sản phẩm với bộ gom cỏ. Máy bắt cỏ hạng nặng có thể ảnh hưởng đến độ ổn định của sản phẩm.

Đề ý các lỗ hổng, đường mòn, đá, vật thể ẩn hoặc va chạm có thể khiến bạn vấp hoặc trượt chân. Cỏ cao có thể che khuất các chướng ngại vật. Loại bỏ tất cả các vật thể như đá, cành cây, v.v. có thể bị lưỡi cắt vấp vào hoặc làm văng ra.

ĐIỀU KIỆN SỬ DỤNG CỤ THỂ

Máy cắt cỏ không dây chỉ dành cho sử dụng ngoài trời.

Máy cắt cỏ được thiết kế để cắt cỏ ở mặt đất. Đây là loại máy cắt cỏ đi phía sau có điều khiển dành cho người đi bộ được thiết kế để sử dụng với tính năng tự đẩy.

Không bao giờ được vận hành máy cắt cỏ khi bánh xe không bám vào mặt đất. Không được kéo hoặc đứng lên máy.

Không sử dụng sản phẩm cho bất kỳ mục đích nào khác.

RUI RO CÓ HỮU

Ngay cả khi sử dụng sản phẩm theo chỉ định, thì vẫn không thể loại bỏ hoàn toàn các yếu tố rủi ro còn lại. Các mối nguy hiểm sau đây có thể phát sinh khi sử dụng sản phẩm và người vận hành cần đặc biệt chú ý để tránh những điều sau đây:

- chấn thương do rung động
 - Giữ sản phẩm bằng tay cầm được chỉ định và hạn chế thời gian làm việc và tiếp xúc.
- tổn thương thính giác do tiếp xúc với tiếng ồn
 - Hạn chế tiếp xúc và đeo đồ bảo vệ thính giác phù hợp.
- bị thương do mảnh vỡ bay ra
 - Luôn đeo thiết bị bảo hộ cá nhân thích hợp, mặc quần dài dày, đeo găng tay, xô giày dép chắc chắn và đeo kính an toàn.
- mối nguy hiểm cho sức khỏe do hít phải bụi độc hại
 - Đeo khẩu trang nếu cần.

PIN

Pin chưa được sử dụng trong một thời gian dài nên được sạc lại trước khi sử dụng.

Nhiệt độ vượt quá 50°C làm giảm hiệu năng của pin. Tránh tiếp xúc trong thời gian dài với nhiệt độ hoặc ánh nắng mặt trời (nguy cơ quá nhiệt).

Các điểm tiếp xúc của bộ sạc và bộ pin phải được giữ sạch sẽ.

Để có tuổi thọ tối ưu, các pin phải được sạc đầy sau mỗi lần sử dụng.

Để đảm bảo tuổi thọ pin lâu nhất có thể, hãy rút pin ra khỏi bộ sạc sau khi nó được sạc đầy.

Khi cất trữ pin lâu hơn 30 ngày:

- Bảo quản pin ở nơi khô, có nhiệt độ dưới 27°C.
- Bảo quản pin trong điều kiện sạc 30% - 50%
- Sau mỗi 6 tháng bảo quản, sạc pin như bình thường.

Không thải bỏ pin cũ theo rác thải sinh hoạt hoặc đốt chúng. Các nhà phân phối MILWAUKEE đề nghị được lấy lại các pin cũ để bảo vệ môi trường của chúng ta.

Không bảo quản pin cùng với vật dụng kim loại (nguy cơ ngắn mạch).

Chỉ sử dụng các bộ sạc hệ M18 để sạc pin hệ M18. Không sử dụng bình pin từ các hệ thống khác.

Không bao giờ tự ý mở các pin và bộ sạc, và chỉ bảo quản chúng trong các phòng khô. Luôn đảm bảo các pin và bộ sạc được khô.

Axit trong pin có thể rò rỉ từ pin bị hư hại trong điều kiện nhiệt độ khắc nghiệt hoặc tải quá nặng. Nếu bị tiếp xúc với axit trong pin, hãy rửa ngay lập tức bằng xà phòng và nước. Trong trường hợp axit tiếp xúc với mắt, hãy rửa sạch trong ít nhất 10 phút và ngay lập tức đi khám bác sĩ.

Không để các chi tiết kim loại đi vào phần chứa pin của bộ sạc (nguy cơ ngắn mạch).

CÁC CẢNH BÁO AN TOÀN BỔ SUNG CHO PIN

⚠ CẢNH BÁO! Để giảm nguy cơ hỏa hoạn, chấn thương cá nhân và hư hại sản phẩm do ngắn mạch, không bao giờ nhúng sản phẩm, pin hay bộ sạc trong chất lỏng hoặc cho phép chất lỏng xâm nhập vào chúng. Các chất lỏng ăn mòn hoặc dẫn điện, ví dụ như nước biển, một số hóa chất công nghiệp, và chất tẩy hoặc sản phẩm chứa chất tẩy, v.v., đều có thể gây ngắn mạch.

BẢO VỆ PIN

Trong các tình huống mômen xoắn cao, kẹp, kẹt và ngắn mạch có thể tăng cường độ dòng điện, sản phẩm sẽ rung khoảng 5 giây, đèn báo mức pin sẽ nháy sáng, và sau đó sản phẩm bị tắt. Để đặt lại, hãy nhả cò ra.

Trong các tình huống khắc nghiệt, nhiệt độ bên trong của bộ pin có thể tăng lên quá cao. Nếu điều này xảy ra, đèn báo mức pin sẽ nháy sáng cho đến khi pin nguội bớt. Sau khi đến tắt, tiếp tục làm việc.

VẬN CHUYỂN PIN LITHIUM

Các pin lithium-ion cần tuân thủ Luật về Hàng hóa Nguy hiểm.

Việc vận chuyển các pin này phải được thực hiện theo các điều kiện và quy định của địa phương, quốc gia và quốc tế.

- Pin có thể được vận chuyển bằng đường bộ mà không có yêu cầu nào khác.
- Việc vận chuyển thương mại pin lithium-ion bởi các bên thứ ba cần tuân thủ quy định về Hàng hóa Nguy hiểm. Việc chuẩn bị vận chuyển và vận chuyển cần được thực hiện bởi những người được đào tạo phù hợp và quy trình này phải được giám sát bởi các chuyên gia trong ngành.

Khi vận chuyển pin:

- Đảm bảo các đầu tiếp xúc của pin được bảo vệ và cách điện để ngăn ngắn mạch.
- Đảm bảo pin được cố định để không di chuyển trong bao bì.
- Không vận chuyển các pin bị nứt hoặc rò rỉ.

Kiểm tra với công ty chuyển tiếp để được tư vấn thêm.

MÔ TẢ CHỨC NĂNG

1. Cửa sau
2. Tay cầm nâng sau
3. Đèn báo pin
4. Tay cầm điều chỉnh độ cao
5. Ngăn chứa pin
6. Tay cầm nâng trước
7. Đèn pha LED
8. Lưỡi cắt
9. Nút Khởi động lưỡi cắt/Bật nguồn
10. Khởi động/dừng tự hành và cánh xoay thay đổi tốc độ
11. Tay cầm
12. Thanh quay cảm
13. Xoay tốc độ tự động
14. Nút tốc độ lưỡi cắt thấp/cao
15. Nút bật/tắt đèn pha LED

16. Các nút khóa tay cầm
17. Các nút điều chỉnh tay cầm
18. Túi thu gom cỏ
19. Máng xả phía sau
20. Nút phủ

MẸO CẮT CỎ NÓI CHUNG

Thời gian chạy của pin phụ thuộc vào tình trạng, độ dài và mật độ của cỏ. Điều chỉnh chiều cao cắt của máy cắt cỏ cho phù hợp với tình trạng hiện tại của bãi cỏ.

Để có hiệu suất tốt nhất, luôn luôn cắt bớt một phần ba trở xuống tổng chiều cao của cỏ.

Khi cắt cỏ dài, hãy giảm tốc độ để cho phép cắt hiệu quả hơn và xa các đoạn cắt thích hợp.

Không cắt cỏ ướt vì cỏ sẽ dính vào mặt dưới của sân máy và ngăn cản việc thu gom hoặc xả cỏ xen thích hợp.

Cỏ mới hoặc dày có thể đòi hỏi chiều cao cắt cao hơn.

Nếu bạn muốn thu gom các hóm cỏ để xử lý, hãy tháo nút phủ và đóng túi thu gom cỏ, đảm bảo rằng nắp trên cùng được đóng lại đúng cách. Để sạch túi thu gom cỏ thường xuyên; nếu không, máng xả sẽ bị tắc do các hóm cỏ.

Nếu bạn đang cắt ít và muốn các hóm cỏ vẫn còn trên bãi cỏ, hãy cắm nút phủ và đóng nắp trên cùng để che lỗ xả. Không cần thiết phải sử dụng túi thu gom cỏ thường xuyên.

Sản phẩm được thiết kế để vận hành và cắt hiệu quả nhất khi di chuyển về phía trước.

Chiều cao cắt cao hơn sẽ kéo dài thời gian hoạt động của bộ pin.

LOẠI BỎ CÁC VẬT GÂY TÁC NGHÊN

Tắt máy cắt cỏ và tháo bộ pin. Đảm bảo rằng tất cả các bộ phận chuyển động đã dừng hoàn toàn:

Luôn đeo găng tay dùng cho công việc nặng khi kiểm tra hoặc loại bỏ vật gây tắc nghẽn.

Các lưỡi cắt rất sắc và bản thân vật gây tắc nghẽn có thể là vật sắc nhọn.

Tháo túi thu gom cỏ, kiểm tra và dọn sạch kỹ lưỡng các vật cản.

Kiểm tra máng xả cỏ xem có bị tắc nghẽn không và thông tắc cẩn thận.

Xoay máy cắt cỏ nằm nghiêng, kiểm tra mặt dưới và khu vực xung quanh lưỡi cắt. Nếu tìm thấy bất kỳ vật gây tắc nghẽn nào, hãy cẩn thận loại bỏ. Hãy nhớ rằng lưỡi cắt có thể di chuyển trong quá trình làm sạch.

VẬN CHUYỂN VÀ CẮT GIỮ

Cần 2 người khi nâng hoặc mang sản phẩm. Sản phẩm nặng. Nâng bằng chân, không phải bằng lưng.

Tắt sản phẩm, tháo pin, và để nguội trước khi cất giữ hoặc vận chuyển.

Làm sạch tất cả các tạp chất khỏi sản phẩm. Cất giữ sản phẩm ở nơi thoáng mát, khô ráo và thông thoáng, chỗ trẻ em không thể tiếp cận được. Để sản phẩm tránh xa các chất gây ăn mòn, chẳng hạn như hóa chất làm vườn và muối khử. Không cất giữ sản phẩm ngoài trời.

Đối với vận chuyển trong xe, bảo vệ sản phẩm tránh di chuyển hoặc rơi xuống để tránh thương tích cho người hoặc làm hỏng sản phẩm.

PHỤ KIỆN

ID MILWAUKEE số	Bộ phận
4932 4798 18	Lưỡi máy cắt cỏ 21 in/ 53 cm
4932 4798 19	Lưỡi máy cắt cỏ HP 21 in/ 53 cm

4932 4798 21

Vỏ máy cắt cỏ 21 in/53 cm

BẢO TRÌ

Thường xuyên kiểm tra lưỡi cắt và tất cả các bu lông và ốc vít lắp ráp và điều chỉnh để có độ chặt thích hợp.

Thường xuyên kiểm tra cụm túi thu gom cỏ và thay thế bằng loại thay thế được khuyến nghị nếu có dấu hiệu hao mòn hoặc hư hỏng. Không rửa sản phẩm bằng vòi. Tránh để nước vào sản phẩm và các kết nối điện.

Ngắt kết nối bộ pin trước khi bảo trì, lắp ráp, điều chỉnh, vệ sinh, mở khóa hoặc khi không sử dụng sản phẩm.

Bảo trì sản phẩm cẩn thận. Giữ cho các cạnh cắt luôn sắc bén và sạch sẽ để có hiệu suất tốt nhất và an toàn nhất.

Chỉ sử dụng các lưỡi thay thế MILWAUKEE giống hệt nhau.

Thận trọng khi bảo dưỡng các lưỡi cắt. Quấn các lưỡi cắt hoặc đeo găng tay. Thay thế các lưỡi bị hỏng. Không sửa chữa hoặc thay đổi lưỡi cắt.

Chỉ sử dụng các bộ phận, phụ kiện và phụ tùng thay thế của nhà sản xuất ban đầu. Không làm như vậy có thể gây thương tích, sản phẩm có hiệu suất kém và có thể làm mất hiệu lực bảo hành sản phẩm.

Mài đều lưỡi cắt cùn ở mỗi đầu để duy trì sự cân bằng.

Làm sạch lưỡi cắt kỹ lưỡng và kiểm tra để cân bằng của lưỡi cắt bằng cách đỡ lưỡi cắt theo chiều ngang trên một chiếc đinh mỏng qua lỗ chính giữa của lưỡi cắt. Định cũng nên ở vị trí nằm ngang. Nếu một trong hai đầu của lưỡi cắt quay xuống dưới, hãy lấy kim loại ra khỏi đầu nặng hoặc đầu dưới cho đến khi lưỡi cắt được cân bằng. Lưỡi cắt được cân bằng khi không có đầu nào hướng xuống.

Thay thế lưỡi cắt nếu lưỡi cắt bị cong hoặc nứt. Lưỡi cắt không cân bằng gây ra rung động có thể làm hỏng sản phẩm hoặc gây thương tích cho người.

Chỉ sử dụng các phụ kiện và phụ tùng thay thế của MILWAUKEE. Không được thay thế các thành phần theo những cách không được mô tả ở đây, vui lòng liên hệ một trong những đại lý dịch vụ MILWAUKEE của chúng tôi (xem danh sách địa chỉ bảo hành/dịch vụ của chúng tôi).

Nếu cần, có thể yêu cầu xem hình vẽ mô tả chi tiết các bộ phận. Vui lòng nêu rõ số sê-ri cũng như loại sản phẩm được in trên nhãn và yêu cầu bản vẽ tại các trung tâm dịch vụ địa phương của bạn.

BIỂU TƯỢNG



Vui lòng đọc cẩn thận hướng dẫn trước khi sử dụng máy.



CHÚ Ý! CẢNH BÁO! NGUY HIỂM!



Tháo pin trước khi bắt đầu thao tác với sản phẩm.



Luôn đeo kính bảo vệ khi sử dụng sản phẩm.



Đeo thiết bị bảo vệ tai.



Đeo găng tay.



Mặc quần dài.



Đi giày dép an toàn.



Đọc và hiểu tất cả các hướng dẫn trước khi vận hành sản phẩm. Làm theo tất cả các cảnh báo và hướng dẫn an toàn.



CẢNH BÁO! Cảnh thận với những đồ vật bị ném văng – tránh xa những người xung quanh.



CẢNH BÁO! Để tay và chân tránh xa các lưỡi cắt. Ngắt kết nối pin trước khi bảo trì.



CHÚ Ý! Nguy hiểm khi nâng. Có thể dẫn đến thương tích.
Không nhìn chăm chăm vào đèn đang hoạt động.



NGUY HIỂM! Không để tay và chân vào gân.



Nguy cơ nghiền nát



Không cho sản phẩm ra ngoài trời mưa.



Cắt qua dốc, không lên và xuống. Không vận hành sản phẩm trên độ nghiêng lớn hơn 15°.



Không vận hành sản phẩm trong điều kiện thời tiết mưa hoặc ẩm ướt.



Cần hai người để nâng hoặc khiêng máy cắt. Nâng bằng chân, không phải bằng lưng.



Mức công suất âm thanh đảm bảo là 96 dB.



Nguy hiểm điện giật



Không rửa sản phẩm bằng vòi. Tránh để nước vào máy cắt cỏ và các kết nối điện.



Nút khởi động lưỡi



Nút tốc độ lưỡi cắt thấp/cao



Nút BẬT/TẮT đèn pha



Tốc độ tối đa cao hơn



Tốc độ tối đa thấp hơn



Cần có hai pin M18.



Phụ kiện - Không bao gồm trong thiết bị tiêu chuẩn, có sẵn dưới dạng phụ kiện mua ngoài.

η_0

Tốc độ không tải

V

Điện áp



Dòng điện một chiều



Không vứt bỏ các dụng cụ điện, pin/pin có thể sạc lại cùng với rác thải sinh hoạt. Các dụng cụ điện và pin đã hết hạn sử dụng phải được thu gom riêng và đưa về một cơ sở tái chế phù hợp với môi trường.

Xác nhận với chính quyền địa phương hoặc nhà bán lẻ để được tham vấn về việc tái chế và điểm thu gom.

技術データ	M18 F2LM53
タイプ	コードレス自走式芝刈り機
バッテリー電圧	36 V (2 x 18 V) ---
ブレード速度 低/高	2800 / 3300 min ⁻¹
自走動作速度	
速度1	0~2.5km/h
速度2	0~3.5 km/h
速度3	0~4.5 km/h
速度4	0~5.5 km/h
速度5	0~6.5 km/h
デッキサイズ	533 mm
刈り取り高さ範囲	25 - 100 mm
グラスキャッチャー能力	70 l
EPTA 01/2014に基づく本体重量 (2 x 12.0 Ah)	38.5 kg
保護等級	IPX4
推奨周囲動作温度	-18 - +50 °C
推奨バッテリータイプ	2 x M18B..., M18 HB...
推奨充電器	M12-18..., M18 DFC
騒音情報	
騒音放射値 (EN 62841に従い測定)。	
A特性・音圧レベル	75.8 dB(A)
不明 K	3.0 dB(A)
A特性音響パワーレベル	93.8 dB(A)
不明 K	3.0 dB(A)
耳栓を使用してください。	
振動情報	
総振動値 (3軸のベクトル和) (EN 62841に従い測定)	
振動放出値 a _v	12.7 m/s ²
不明 K	1.5 m/s ²

A 警告！

本取扱説明書に記載されている宣言振動値および騒音値は、EN 62841に記載の標準検査に従って測定されたものであり、本製品と別の製品を比較するために使用することができます。暴露の予備評価にも使用できます。

公表された振動・騒音値は、工具の主な用途を表しています。ただし、工具が異なる用途に使用され、付属品が異なっている、メンテナンスが不十分であるなどの場合は、振動/騒音放射が異なる場合があります。これらの条件により、総作業期間にわたる暴露レベルが大幅に増加する可能性があります。

暴露する振動・騒音値の概算を出す場合、工具のスイッチがオフになっている時間、または工具がアイドリング中である時間も考慮する必要があります。これらの条件により、総作業期間にわたる暴露レベルが大幅に減少する可能性があります。

振動/騒音の影響からオペレーターを保護するために、次のような追加安全対策を確認してください：工具と付属品のメンテナンスを行う、手を温かく保つ、作業パターンを整理する。

A 警告！本製品で提供されているすべての安全警告、指示、図、仕様をお読みください。下記のすべての指示に従わない場合、感電や火災が発生したり、重傷を負う可能性があります。

今後の参考のために、すべての警告と指示を保存します。

芝刈り機の安全性に関する警告

悪天候下、特に落雷の危険がある場合は、本芝刈り機は使用しないでください。こうすることで、落雷が直撃する危険性を減らします。

本芝刈り機を使用する場所に動物がいないか、しっかりと確認してください。本製品の動作中に動物がけがを負うおそれがあります。

本芝刈り機を使用する場所をしっかりと確認し、すべての石、枝、配線、骨、その他の異物を取り除いてください。物が飛散し、けがにつながるおそれがあります。

本芝刈り機を使用する前に、必ずブレードおよびブレードアセンブリが摩耗や破損していないことを目視で確認してください。摩耗や破損した部品によりけがの危険性が高まります。

グラスキャッチャーが摩耗や劣化していないか確認してください。摩耗や破損したグラスキャッチャーによりけがの危険性が高まります。

ガードは所定の位置に配置してください。ガードは正常に動作できる状態で、正しく取り付ける必要があります。緩んでいる、破

損している、正しく動作しないガードは、けがにつながるおそれがあります。

すべての冷却風入口からごみを取り除いてください。冷却風入口が塞がれている、またはごみが入っている場合、過熱や火災につながるおそれがあります。

本芝刈り機を操作する際は必ず滑り止め付安全靴を着用してください。本芝刈り機は、裸足や先の開いたサンダルを着用して操作しないでください。こうすることで、動作しているブレードが足に接触しけがをする危険性を減らすことができます。

本製品の操作時は必ず長ズボンを着用してください。肌が露出していると、飛散物でけがをする可能性が高まります。

芝刈り機を濡れた芝に使用しないでください。操作は歩いて行い、絶対に走らないでください。こうすることで、滑ったり転んだりしてけがをする危険性を減らすことができます。

本芝刈り機を除いた斜面上で使用しないでください。こうすることで、制御を失ったり滑ったり転んだりしてけがをする危険性を減らすことができます。

斜面上で作業を行う際は、必ず足場を確認し、必ず斜面に対して操作し、絶対に上下に動かさず、方向を変える際は細心の注意を払ってください。こうすることで、制御を失ったり滑ったり転んだりしてけがをする危険性を減らすことができます。

芝刈り機を自分の方に戻したり引いたりする際は、細心の注意を払ってください。必ず周囲に気を配ってください。こうすることで、操作中につまずく危険性を減らすことができます。

動作している間はブレードやその他の危険な可動部に触れないでください。これにより、可動部品によるけがの危険性を減らすことができます。

詰まった材料を取り除く際や本芝刈り機をお手入れする際は、すべての電源スイッチがオフになっており、バッテリーパックが取り外されていることを確認してください。本芝刈り機が意図せず動作し、重大なけがを負うおそれがあります。

異物が当たった場合や、本製品に異常な振動がある場合は、ただちに本製品の使用を中止してください。

バッテリーパックを取り外し、すべての可動部品が完全に停止していることを確認してください。

- 異物が当たった場合は、本製品に破損がないか確認し、本製品を再始動および動作させる前に修理を行ってください。
- 本製品に異常な振動がある場合は、ただちに破損がないか確認し、破損した部品がある場合は交換または修理を行い、緩んだ部品がないかを確認し、緩んだ部品は締めてください。

追加の安全上の注意事項および作業指示

集草袋、マルチングプラグ、後部排出部が正しく取り付けられておらず正しく機能しない場合は、本製品を動作させないでください。摩耗や劣化の兆候がないかを頻繁に確認し、必要な場合は交換してください。

安全機器（後部ドア、排出部アタッチメント、押さえ棒など）が所定の場所にあり、正しい動作状態であることを確認してください。

芝刈りを行う前に、作業エリアを確認し、破片などを取り除いてください。すべての石、枝、配線、骨、その他の異物を取り除いてください。飛散物に注意してください。芝刈り機のブレードに異物が当たった場合、異物が飛散し、重大なけがや本製品への破損を引き起こすおそれがあります。

本製品を始動させる前に、自走機能を解除してください。

芝刈り機の動作中は、ホイールの高さ調節は絶対に行わないでください。

本製品は水に濡らしたり、濡れた地面で動作させないでください。雨が降っている場合、本製品を屋外で使用しないでください。

手と足はブレードから離してください。ブレードガードの下に手を入れしないでください。排出開口部は塞がないでください。排出した材料は人に向けしないでください。排出した材料は壁や障害物に向け

ないでください。材料が作業者に跳ね返るおそれがあります。

後ろに移動する前と移動中は、下と後ろを見てください。絶対に必要でなければ、逆方向に芝を刈らないでください。

必ずしっかりと立ってください。ハンドルをしっかりと握り、歩きながら使用してください。絶対に走らないでください。

穴、盛り上がった場所、岩、その他の隠れた危険のある場所は避けてください。でこぼこした場所で使用すると、本製品が倒れたり、作業者がバランスを崩したり転んだりするおそれがあります。

砂利のある車道、歩道、道路を横切る際は、ブレードを停止させてください。モーターをオフにし、グラスキャッチャーを取り外す前またはシュートの詰まりを取る前に、ブレードが完全に停止するまで待ちます。

本製品の動作中は本製品から離れないでください。本製品は必ず平らな地面に置いてオフにしてください。

使用中はバッテリーカバーを閉じてください。

LEDヘッドライトがオンになっている時は、動作しているライトを覗き込まないでください。

子ども、運動機能・感覚機能・筋力が低下している人、経験と知識が不足している人、またはこれらの指示に慣れていない人には、絶対に製品の使用を許可しないでください。現地の規制により、作業者の年齢が制限される場合があります。

飛散物に注意してください。すべての周囲の人、お子様、ペットを作業エリアから30m以上離してください。

本製品を暗い場所で使用しないでください。危険を把握できるよう、作業エリアは見やすい状態にする必要があります。

使用前に本製品を点検してください。緩んだファスナーなどがないか確認してください。すべてのガードとハンドルが正しくしっかりと取り付けられていることを確認してください。破損した部品は使用前に交換してください。バッテリーパックに漏れがないか確認してください。

本製品を絶対に改造しないでください。

本製品をお子様や訓練を受けていない人に操作させないでください。

本製品の使用中は、目と耳をしっかりと覆う保護具を着用してください。物が落下する危険性のある場所で作業する場合は、頭部に適切な保護具を着用してください。

可動部品に巻き込まれるのを防止するため、長い髪の毛は肩より上の位置に結んでください。

疲労時、体調不良時、またはアルコール、薬物、薬の影響を受けている場合は、本製品を使用しないでください。

しっかりした足場とバランスを維持してください。無理な姿勢で作業をしないでください。手を無理に伸ばすと、バランスを崩したり高温面に触れたりするおそれがあります。

モーターをオンにする際に本製品を傾けないでください。

作業前の調整時や保守・点検時は、本体からバッテリーを取り外してください。

斜面での操作

15°以上の傾斜の場所で操作しないでください。斜面全体で芝刈りを行い、上下には動かさないでください。

斜面で操作すると、滑ったり落ちたりして重大なけがを負う危険性があります。

斜面で操作する際は、細心の注意を払う必要があります。斜面での操作が不安な場合は、芝刈りを行わないでください。

必ずしっかりと立ってください。滑ったり落ちたりすると重大なけがを負う危険性があります。バランスを崩したと感じたら、ただちに押さえ棒を離してください。

斜面で方向を変える際は、細心の注意を払ってください。斜面で始動・停止しないでください。急に速度や方向を変えないでください。ターンする時はゆっくりと行ってください。

急斜面の近くで操作する際は注意を払ってください。
静止摩擦、操縦性、安定性がない状況で本製品を操作しないでください。ホイールが停止していても、タイヤが滑ることがあります。
斜面を下方向に操作する際は、本製品をつねに制御してください。下方向に滑らせないでください。

本製品にグラスキャッチャーを付けて操作する際は、細心の注意を払ってください。重さのあるグラスキャッチャーにより、本製品の安定性が損なわれる場合があります。

滑ったりつまずいたりするおそれのある、穴やわだち、岩、隠れた物、盛り上がった場所がないか確認してください。背の高い芝で障害物が隠れている場合があります。つまずいたりブレードで飛散するおそれのある岩や木の枝など、すべての障害物を取り除いてください。

特定の使用条件

コードレス芝刈り機は、屋外での使用のみを目的としています。本芝刈り機は、地面の芝を刈ることを目的としています。本製品は、刈るを歩きながら操作する、自走機能を備えた芝刈り機です。本芝刈り機は、ホイールが地面から離れた状態で絶対に操作しないでください。引っ張ったり上に乗ったりしないでください。
本製品を他の用途では使用しないでください。

残余リスク

製品が規定どおりに使用された場合でも、特定の残存する危険因子を完全に排除することは不可能です。使用中に以下の危険が発生することがあり、作業者は以下を回避するために特に注意する必要があります。

- 振動による怪我
 - 所定のハンドルを持って本製品を保持し、作業時間や暴露を制限します。
- 騒音により生じる聴覚の異常
 - 暴露を制限し、適切な聴覚保護具を着用してください。
- 飛散した破片によるけが
 - 適切な個人用保護具、高強度の長ズボン、グローブ、安全靴、保護メガネをつねに着用してください。
- 有毒な粉塵の吸い込みによる健康上の危険性
 - 必要な場合はマスクを着用してください。

バッテリー

しばらく使用していなかったバッテリーパックは使用前に再度充電を行ってください。

50°Cを超える温度下ではバッテリーパックの性能が低下します。直射日光や高熱に長時間さらさないようにしてください（オーバーヒートの危険性があります）。

充電器とバッテリーパックの接触部はつねに清潔な状態にしてください。

最適な寿命を保つため、使用後はバッテリーパックを完全に充電してから保管してください。

バッテリー寿命を最大に保つためにバッテリーをフル充電してから充電器から取り外してください。

バッテリーパックを30日以上保管する場合:

- ・ 温度27度未満で湿気がない場所に保管する。
- ・ 30~50%の充電状態で保管する。
- ・ 6ヶ月に1回、通常通りに充電する。

使用済みのバッテリーパックは家庭ゴミと一緒に廃棄したり、燃やさないでください。ミルウォーキー（MILWAUKEE）販売店では、環境保護のために古いバッテリーを回収いたします。

金属片などと一緒にバッテリーパックを保管しないでください。ショートの危険性があります。

M18システム・バッテリーの充電には、M18システムの充電器しか使用できません。別のシステムのバッテリーと混ぜて使用しないでください。

バッテリーと充電器は絶対に分解しないでください。バッテリーと充電器は湿度の低い屋内で保管してください。

極端な負荷や温度によってバッテリーが損傷し、液漏れが発生する場合があります。漏れ出た液と接触した場合は、直ちに石鹸と水で洗い流してください。目に入った場合は、少なくとも10分間流水ですすいで上、直ちに医師の診察を受けてください。

充電器の金属端子部に金属片などを接触させないでください。ショートの危険があります。

バッテリーに関する詳細な安全警告

▲ 警告！ 漏電による火災、人的損傷、製品破損のリスクを軽減するために、製品、バッテリーパック、充電器を液体に浸したり、液体を流入させたりすることは絶対にしないでください。海水、特定の工業用化学物質、漂白剤または漂白剤を含む製品などの腐食または伝導性誘導体は、漏電の原因となる場合があります。

バッテリーパックの保護

極めて高いトルク、ピンディング、停動、および高電流を引き起こす短絡状態では、製品は約5秒間振動して燃料計が点滅してからオフになります。リセットするには、トリガーを解除してください。

過酷な環境下では、バッテリーパック内の温度が過剰に上昇する場合があります。この現象が起きると、バッテリーパックが冷たくなるまで燃料計が点滅します。ライトが消えた後も作動し続けてください。

リチウムバッテリーの輸送

リチウムイオンバッテリーは、危険物規制の要件の対象となります。

このバッテリーの輸送は、地域、国、および国際的な規定および規制に従って行わなければなりません。

- ・ バッテリーの地上輸送には、それ以上の要件はありません。
- ・ 第三者によるリチウムイオンバッテリーの商業輸送には、危険物規制が適用されます。輸送の準備と輸送は、適切な訓練を受けた人員のみが実施し、その作業には対応する専門家の同行が必要です。

バッテリーを輸送する場合:

- ・ バッテリーの接触端子は、漏電を防ぐために保護と絶縁の処理がされていることを確認してください。
- ・ バッテリーパックがパッケージ内で動かないように固定されていることを確認してください。
- ・ ひびが入ったり液漏れが発生しているバッテリーは輸送しないでください。

詳細については、運送会社に確認してください。

機能説明

1. リアドア
2. リアリフトハンドル
3. 燃料計
4. 高さ調節ハンドル
5. バッテリーコンパートメント
6. フロントリフトハンドル
7. LEDヘッドライト
8. ブレード
9. ブレードスタート/電源オンボタン
10. 自走機能スタート/ストップ、速度調節パドル
11. ハンドル
12. 押さえ棒
13. 自走速度ダイヤル
14. ブレード速度 低/高ボタン
15. LEDヘッドライト オン/オフボタン

- 16. ハンドルロックノブ
- 17. ハンドル調節ノブ
- 18. 集草袋
- 19. 後部排出シュート
- 20. マルチングプラグ

芝刈りのヒント

バッテリーの動作時間は、芝の状態、長さ、密度により異なります。芝刈り機の切断高さを、芝の現在の状態に合うよう調節します。

最高の性能を発揮するために、刈る高さは必ず芝全体の高さの1/3以下にしてください。

長い芝を刈る際は、速度を下げ、効率的に刈り、刈り取った芝を適切に排出できるようにしてください。

濡れた芝は刈らないでください。刈り取った芝がデッキの裏側に付着し、適切に収集できなくなったり、刈り取った草が排出できなくなったりするおそれがあります。

新しい芝や密度のある芝の場合、刈り取る高さを高くする必要があります。

刈った芝を収集して捨てる場合は、マルチングプラグを取り外し、集草袋を取り付け、上のフラップが正しく閉じていることを確認してください。排出シュートが刈り取った芝で詰まるため、集草袋は定期的に空にしてください。

少しかかり、芝の上に狩った芝を残したい場合は、マルチングプラグを取り付け、上フラップを閉じて排出部を塞いでください。この場合は集草袋を取り付ける必要はありません。

本製品は、前に動かした時にもっとも効率的に動作し刈ることができるよう設計されています。

刈る高さを高くするほど、バッテリーパックの動作時間は長くなります。

詰まりの除去

本芝刈り機の電源をオフにして、バッテリーパックを取り外します。すべての可動部品が完全に停止していることを確認してください。

詰まりを確認したり取り除いたりする際は、必ず耐切削手袋を着用してください。

ブレードは鋭利なため、詰まった物も鋭利な場合があります。

集草袋を取り外し、詰まったものがないか確認し、注意して取り除きます。

排出シュートに詰まったものがないか確認し、注意して取り除きます。

芝刈り機を横にして置き、底面とブレードの周囲を確認します。詰まりがあった場合は、注意して取り除きます。清掃中にブレードが動く場合があることに注意してください。

持ち運びおよび保管

本製品を持ち上げたり運んだりする必要がある場合は、必ず2名で行ってください。本製品は重量があります。後部ではなく脚を持ち上げてください。

保管または持ち運ぶ前は、本製品を停止し、バッテリーを取り外し、冷却してください。

製品からすべての異物を取り除きます。製品をお子様の手の届かない涼しく湿気の無い換気の良い場所に保管します。園芸用化学薬品や凍結防止塩などの腐食剤から製品を離してください。製品を屋外に保管しないでください。

車両で持ち運ぶ場合は、製品が動いたり落下しないように固定して、人身傷害や製品の損傷を防止します。

アクセサリ

ミルウォーキーID番号 パーツ

4932 4798 18	芝刈り機ブレード 21インチ/53cm
4932 4798 19	芝刈り機ブレードHP 21インチ/53cm
4932 4798 21	芝刈り機カバー 21インチ/53cm

メンテナンス

ブレード、すべてのアセンブリ、調節ボルト、ファスナーが正しく締まっているかを頻繁に確認してください。

集草袋アセンブリを頻繁に確認し、摩耗や劣化の兆候がある場合は推奨交換部品と交換してください。

本製品をホースで洗淨しないでください。本製品や電気接続部に水をかけないでください。

保守、組み立て、調節、清掃、詰まりの除去の前や、本製品を使用していない時は、バッテリーパックを取り外してください。

本製品を注意して保守してください。切断部は鋭利な状態に維持し、最高で安全な性能を発揮できるように清掃してください。

同一のMILWAUKEE交換用ブレードのみを使用してください。

ブレードを点検する際は細心の注意を払ってください。ブレードを覆うか、グローブを着用してください。破損しているブレードは交換してください。ブレードは修理したり改造したりしないでください。

メーカー純正の交換用部品、付属品、アタッチメントのみを使用してください。これに従わない場合、怪我の原因やパフォーマンスの低下につながり、保証が無効になる場合があります。

バランスを維持するため、切れにくくなったブレードは両端を均等に研いでください。

ブレードは丁寧に清掃し、中央の穴に釘を差し込んで水平にし、バランスを確認します。釘も水平にする必要があります。ブレードの片側が下がった場合は、ブレードのバランスが取れるまで、重い方または軽い方の金属を取り除きます。どちら側も下らなければ、バランスが取れています。

曲がっていたりひびが入ったりしているブレードは、交換してください。バランスが取れていないブレードを使用すると、振動が発生し、本製品を破損したり、けがを引き起こしたりするおそれがあります。

ミルウォーキー (MILWAUKEE) の純正アクセサリとサービスパーツをご使用ください。記載されていない部品を交換する必要がある場合は、MILWAUKEEサービスセンターにお問い合わせください (保証リストまたはサービス所在地リストを参照してください)。

必要に応じて、製品の分解立体図をご注文いただけます。製品タイプとシリアル番号をラベルにご記入のうえ、お近くのサービスセンターで分解立体図をご注文ください。

記号



製品の使用を開始する前に、指示を注意深くお読みください。



注意！警告！危険！



作業前の調整時や保守・点検時は、本体からバッテリーを取り外してください。



製品を使用する際は、必ずゴーグルを着用してください。



耳栓を使用してください。



加工作業時は、保護手袋を着用してください。



長ズボンを着用してください。



安全靴を着用してください。



本製品を操作する前に、すべての説明を読み理解してください。すべての警告および安全上の注意事項に従ってください。



警告！飛散物に注意：周囲に人がいないことを確認してください。



警告！手と足はブレードから離してください。保守の前にバッテリーを取り外してください。



注意！持ち上げる際の危険性。けがを負うおそれがあります。

動作しているランプを覗き込まないでください。



危険！手や足を近づけないでください。



故障の危険性



本製品を雨にさらさないでください。



斜面全体で芝刈りを行い、上下には動かさないでください。15°以上の傾斜の場所で操作しないでください。



本製品を雨や濡れた状態で操作しないでください。



芝刈り機を持ち上げたり運んだりする際は2名で行ってください。後部ではなく脚を持ち上げてください。



保証騒音レベルは96dBです。



感電の危険性



本製品をホースで洗浄しないでください。本芝刈り機や電気接続部に水をかけないでください。



ブレードスタートボタン



ブレード速度 低/高ボタン



ヘッドライトオン/オフボタン



高最高速度



低最高速度



M18バッテリー2個が必要です。



アクセサリ：標準装置には含まれていません。

n_0

回転数

V

電圧



直流



電動工具、バッテリー/充電式バッテリーを家庭廃棄物と一緒に廃棄しないでください。寿命に達した電動工具とバッテリーは、個別に回収し、リサイクルを行ってください。

リサイクルに関しましては、お住いの自治体または販売店までご相談ください。







