

HTSAP All Purpose Temperature Sensor



The HTSAP is an all purpose duct/immersion temperature sensor that utilizes a precision sensor that is encapsulated in 6 mm (0.236") OD, 304 series stainless steel probe and is available in various lengths. All probes provide excellent heat transfer, fast response and resistance to moisture penetration. A compact ABS enclosure with a hinged and gasketed cover is provided for ease of installation.

FEATURES

- Choice of Various Thermistors and RTD's
- Selection of enclosure styles
- Selection of probe lengths
- Hinged and gasketed, ABS enclosure

***NOTE: All immersion sensors require a thermowell (sold separately).**

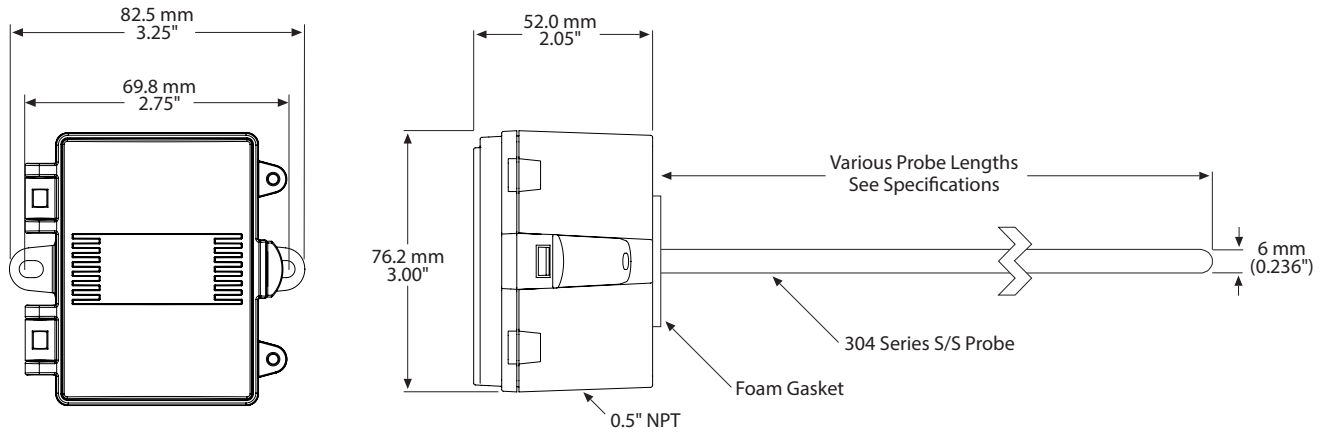
APPLICATIONS

The HTSAP all purpose temperature sensor is designed for use in duct and immersion applications.

SPECIFICATIONS

Sensor Type: Various thermistors or RTD
Sensor Accuracy:..... Thermistors: $\pm 0.2^{\circ}\text{C}$ ($\pm 0.36^{\circ}\text{F}$) @ 25°C (77°F)
Platinum RTD's: $\pm 0.3^{\circ}\text{C}$ ($\pm 0.54^{\circ}\text{F}$)
Nickel RTD's: $\pm 0.4^{\circ}\text{C}$ ($\pm 0.72^{\circ}\text{F}$) @ 0°C (32°F)
Temperature Range:.... -20 to 105°C (-4 to 221°F)
Wire Material: PVC insulated, parallel bonded, 22 AWG
Probe Material: 304 series stainless steel
Probe Diameter: 6 mm (0.236")
Standard Lengths: 50, 100, 150, 200, 300, and 450 mm
(2", 4", 6", 8", 12", and 18")
Enclosure:..... ABS - UL94-V0, IP65 (NEMA 4X)
C - includes terminal block
E - includes thread adapter (1/2" NPT to M16),
cable gland fitting, and terminal block
Termination:..... A - pigtail, 2 or 3 wire
C & E - Terminal block, 2 or 3 wire
Country of Origin Canada

HTSAP All Purpose Temperature Sensor



RoHS
COMPLIANT



Honeywell Building Solutions
Honeywell

North America:
1985 Douglas Drive North
Golden Valley, MN 55422-3992
+1-800-345-6770, ext. 606

Europe, Middle East, Africa & India:
Honeywell House
Arlington Business Park
Bracknell, United Kingdom RG12 1EB
+44-(0)1344-656000

North Asia:
Zhang Jiang Hi-Tech Park
No. 430 Li Bing Rd., Pudong New Area,
Shanghai, 201203, China
+86-21-2894-2000

South Asia Pacific:
2 Richardson Place
Sydney NSW 2113
+612-9353-7000

www.honeywell.com

ORDERING

MODEL	Product Description
HTSAP	All Purpose Duct/Immersion Temperature Sensor

CODE	Enclosure
A	ABS, with hinged & gasketed cover
C	Same as A, with terminal block
E	Same as C, with thread adapter and cable gland fitting

CODE	Sensor
02	100 Ω Platinum, IEC 751, 385 Alpha, thin film, 3 wire
07	10,000 Ω Type 3, NTC Thermistor, ±0.2°C
12	1000 Ω Platinum, IEC 751, 385 Alpha, thin film
15	3000 Ω Platinum, 385 Alpha, thin film, ±0.3°C
20	20,000 Ω NTC Thermistor, ±0.2°C
24	10,000 Ω Type 2, NTC Thermistor, ±0.2°C

CODE	Probe Length
A	50 mm (2")
B	100 mm (4")
C	150 mm (6")
D	200 mm (8")
E	300 mm (12")
F	450 mm (18")

HTSAP	A	07	A
-------	---	----	---

Printed on recycled paper containing
15% post-consumer waste.



September 2019
© 2019 Honeywell International Inc.

Honeywell