

# Maxcool



## Refrigeration COMPRESSOR RACKS

- *Stream Semi-Hermetic Compressor*
- *Scroll Hermetic Compressor*

A Group Company of :



Your Refrigeration  
& Electrical Solutions





## Introduction :

Maxcool brand multiple compressor racks are designed based on durability, reliability, environmental and energy efficiency assembly concept. With every refrigeration equipment projects and any retails supermarket or industrial cold room applications ; we provide the flexibility you need, the reliability you demand, and the energy efficiency that will save you money. We remain the leader in refrigeration technology – giving you the most advanced products with the best performance features available.

Each multiple compressor rack system is designed to meet your specific needs. We offer the latest technologies and options to maximize the dependability and performance of each system. Compressor options include Copeland Stream semi hermetic and Hermetic Scroll compressor. Reliable refrigeration performance is essential to the profitable operation of any supermarket and cold room applications. That's why we consider the reliability as a priority in its refrigeration product.

We start with the highest quality components and manufacturing techniques. Then each rack is subjected to prior test before it leaves from the factory. Advanced manufacturing systems, such as tube benders are used to eliminate brazed joints and other potentially weak areas where future leaks might occur.

Maximum energy efficiency. Our goal is to make your business more effective and more profitable. Energy efficient refrigeration equipment is an essential ingredient in enhancing supermarket and industrial cold rooms profitability. While every applications is unique, we can suggest from the options (high efficiency compressors, sub-cooling techniques, modulating technologies) that can give you the most energy efficient refrigeration package available for your application.

## Nomenclature :

**R D M - 150 - A B 3**

1 2 3 4 5 6 7

**1 R = RACK**

**2 Compressor Type**

D = Stream Semi Hermetic Compressor

ZB = Scroll Compressor ZB

ZF / ZFI = Scroll Compressor ZF / ZFI

**3 Application**

M = Medium Temperature

L = Low Temperature

**4 Total Compressor Motor Horse Power**

For example : 60 = 60 HP

120 = 120 HP

160 = 160 HP

**5 Condenser Type Design**

A = Air Cooled

W = Water Cooled

**6 Electrical Voltage and power supply**

A = Single Phase

B = Three Phase

**7 Refrigerant Type**

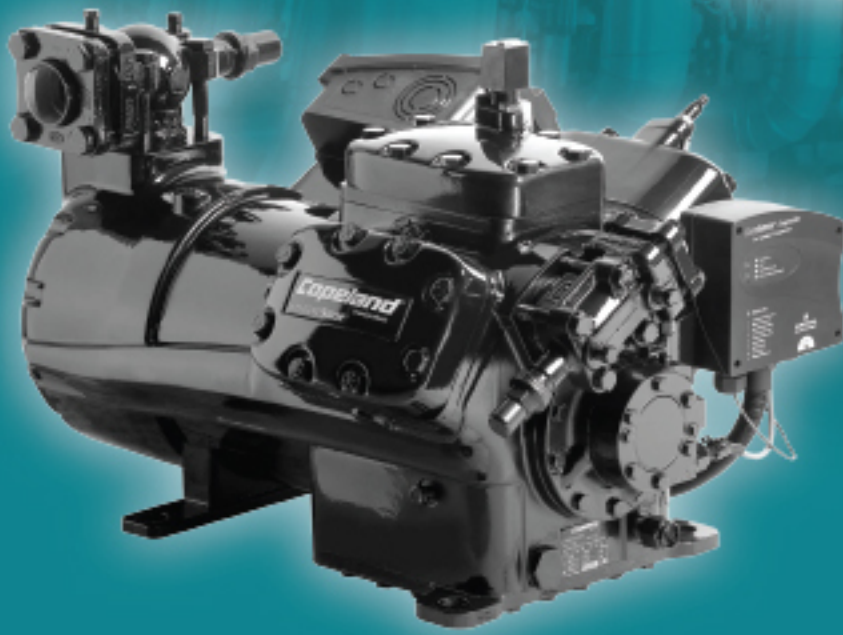
1 = R22

2 = R134A

3 = R404A / R507

4 = R407F

# REFRIGERATION COMPRESSOR RACKS



## Stream Compressor rack : 4M/6M Stream Copeland compressor

The new Stream Copeland keeps all the advantages of the Discus (high efficiency, wide range of application, use multi refrigerant) while benefiting from advanced technology CoreSense™.

## Technologie CoreSense™ :

The CoreSense™ Diagnostics module extends the life of your refrigeration equipment. This technology provides optimal protection for the compressor, in-depth diagnostics, as well as communication of the measures of the electric power consumption

## Standard Features :

1. Heavy Grade Steel and Good design Base Frame with Enamel painting protection
2. High Efficiency centrifugal Oil separator
3. Horizontal or Vertical Liquid Receiver
4. OMB Electronic Oil Level Regulator
5. Oil Filter
6. Oil return line
7. Suction Header & Ball Valves
8. Safety High/Low Pressure switch
9. High/Low/Oil pressure Gauges
10. Liquid level Switch
11. Check Valves
12. Pressure Relief valves
13. Suction/Liquid Filter Drier Shell & Cores
14. Service valves (Easy for service and maintenance)

## Option Features :

- Digital Capacity Modulation compressor
- Air cooled condenser
- Water cooled condenser
- Switchboard with Digital controller
- Anti Vibration Rubber Mounting (Neoprene Type Synthetic Rubber) - Prevent noise and high frequency vibration



## Scroll Compressor Rack : ZB/ZF Scroll Copeland compressor

Complete range between 2-15HP, Proven Reliability, Superior efficiency, Low sound levels, Availability for HFC and HCFC refrigerants , All voltage offering, Oil sight glass & Rotalock features. It is optimized design perfectly fits frozen foods application requirements while its scroll compliance mechanism makes it highly tolerant of liquid slugging.



**STREAM COMPRESSOR RACK (Multi Sets)**

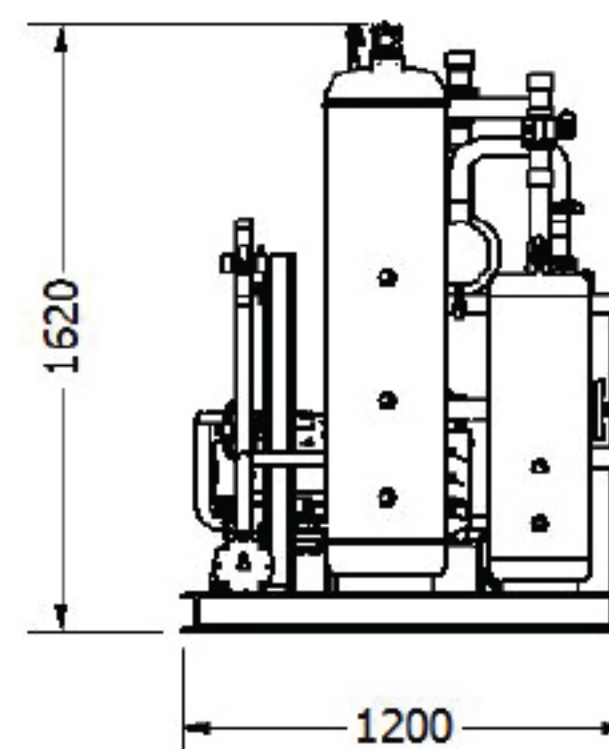
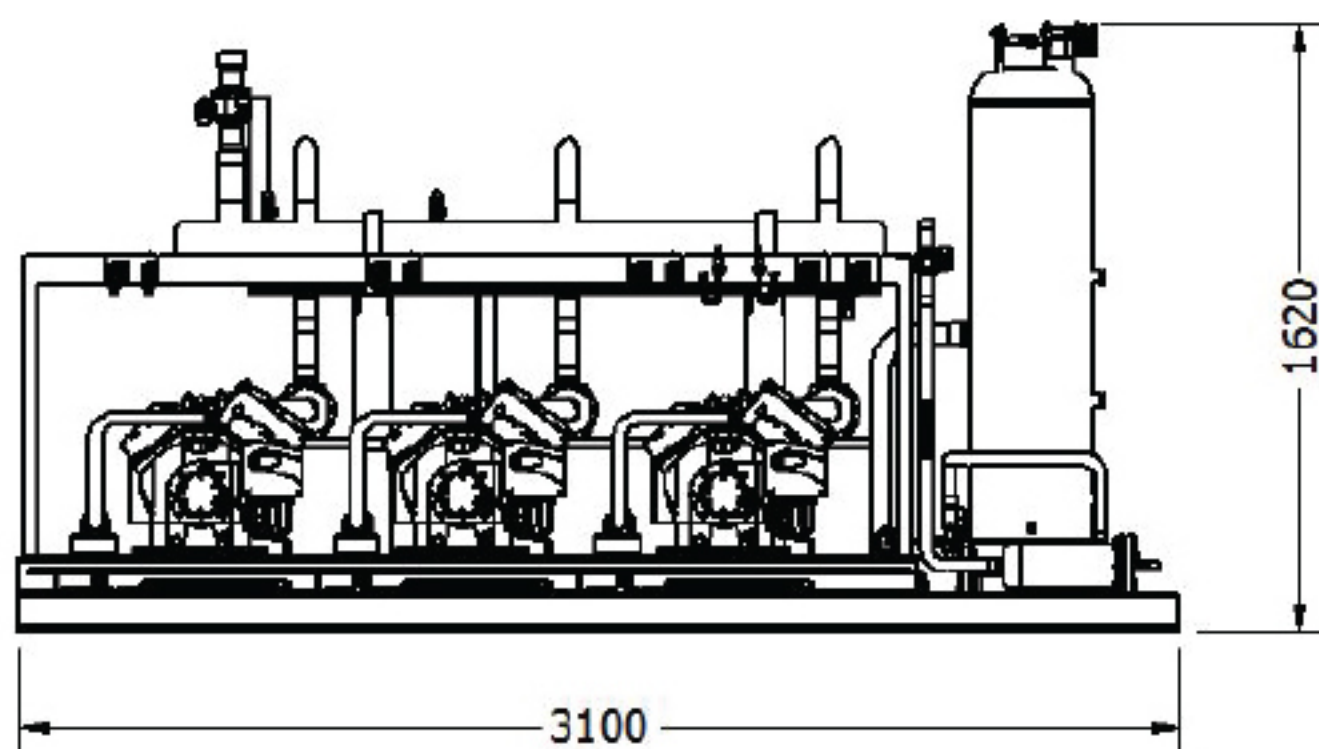
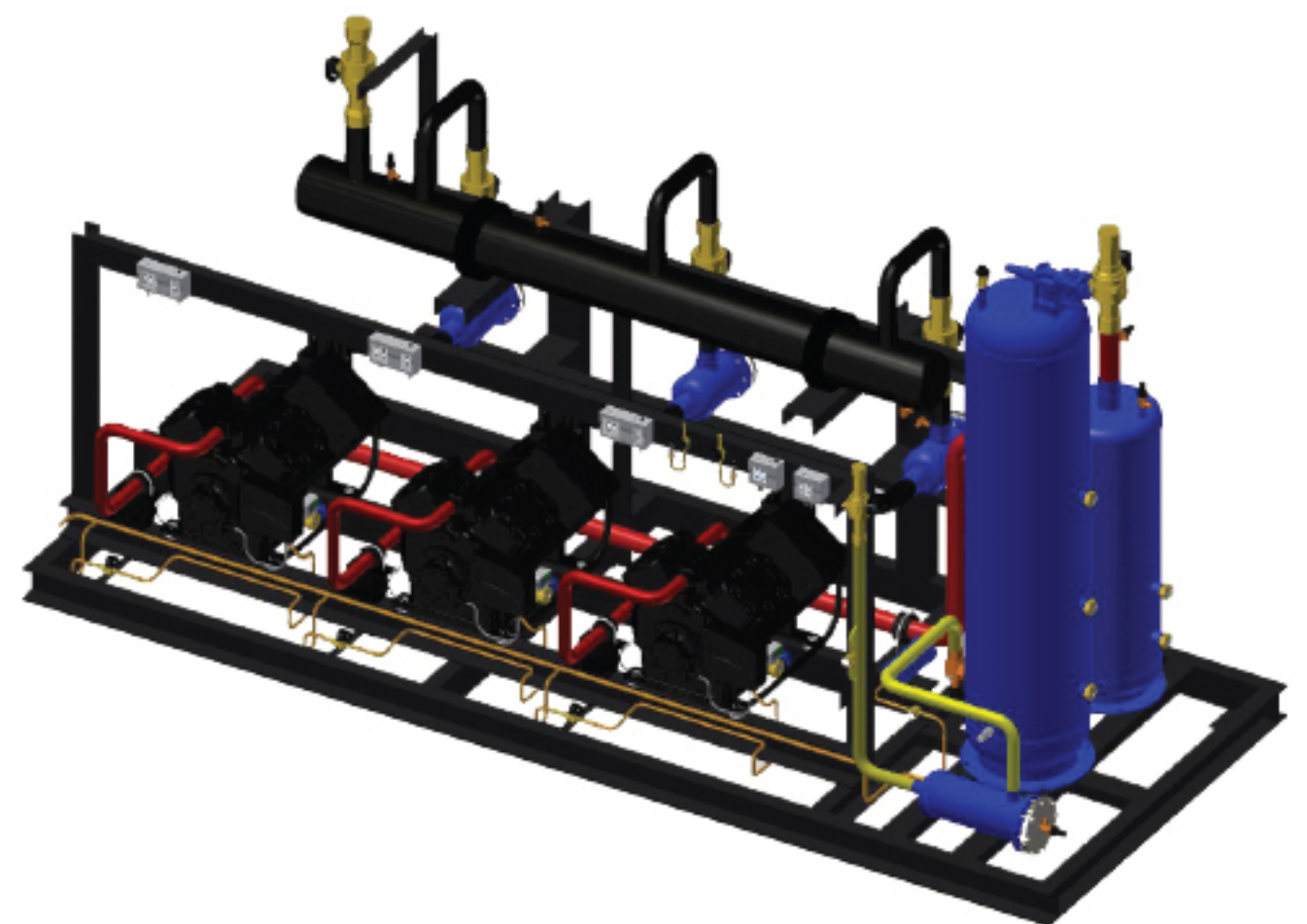
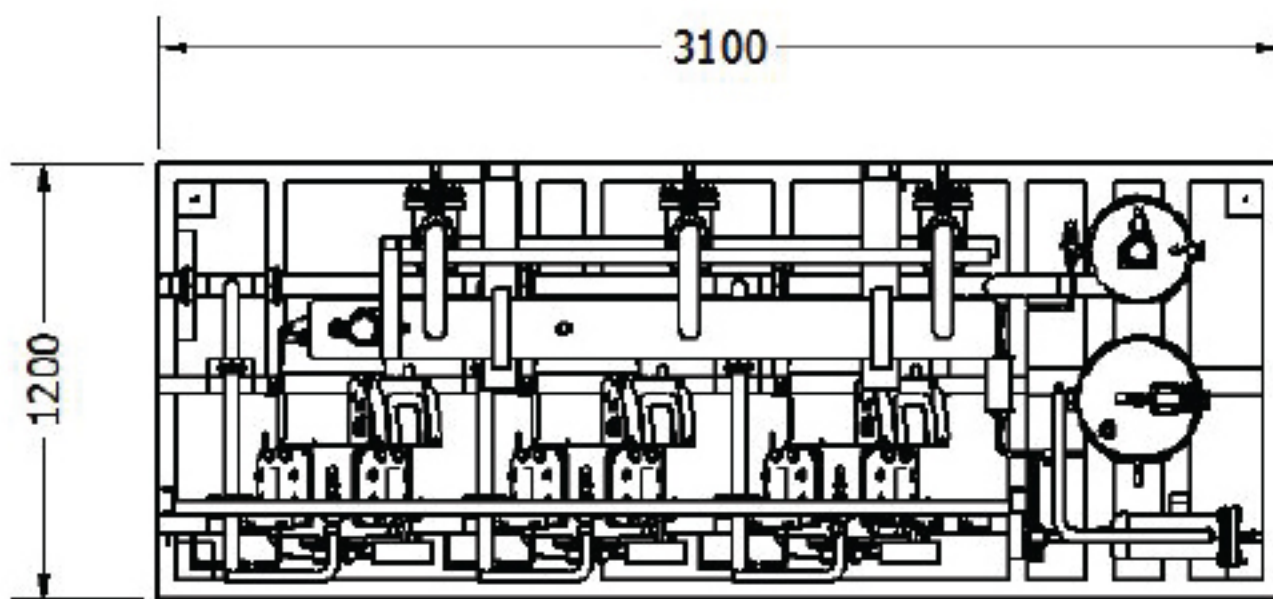
**Medium temp**

MODEL MULTI SET	RDM	75		90		105		120	
COMPRESSOR TYPE		Copeland SEMI HERMETIC Stream							
COMPRESSOR MODEL		4MH1-25X-AWM		4MI1-30X-AWM		4MK1-35X-AWM		6MI1-40X-AWM	
COMPRESSOR QTY.	Set	3							
		Condition.1	Condition.2	Condition.1	Condition.2	Condition.1	Condition.2	Condition.1	Condition.2
COOLING CAPACITY	KW.	111.90	101.70	125.10	114.00	156.60	142.20	188.40	171.90
POWER INPUT	KW.	44.10	46.35	48.90	51.60	63.00	66.00	75.00	78.90
COP		2.54	2.19	2.56	2.21	2.49	2.15	2.51	2.18
REFRIGERANT		R404A							
RECEIVER TANK VOLUME	Ltr.	100.00				150.00			
TOTAL OIL VOLUME	Ltr.	36.00				59.00			
CONDENSER TYPE		Remote Air Cooled / Water Cooled							
CONNECTION PIPE									
MAIN LIQUID LINE	Inch	1 3/8"				1 5/8"			
MAIN SUCTION LINE	Inch	2 5/8"		3 1/8"					
MAIN DISCHARGE LINE	Inch	2 1/8"				2 5/8"			
CONDENSATE LINE TO RECEIVER	Inch	1 5/8"				2 1/8"			
DIMENSIONS									
W x L x H	MM.	1200 x 3100 x 1620							
NET WEIGHT	KG.	861		864		906		957	

Remark : Condition.1 Design At TE/TC = -13 / +40 °C , Return Gas Temperature 20 °C  
 Condition.2 Design At TE/TC = -13 / +45 °C , Return Gas Temperature 20 °C

**DIMENSIONAL DRAWING**

(COMPRESSOR 3 SET)



**STREAM COMPRESSOR RACK (Multi Sets)**

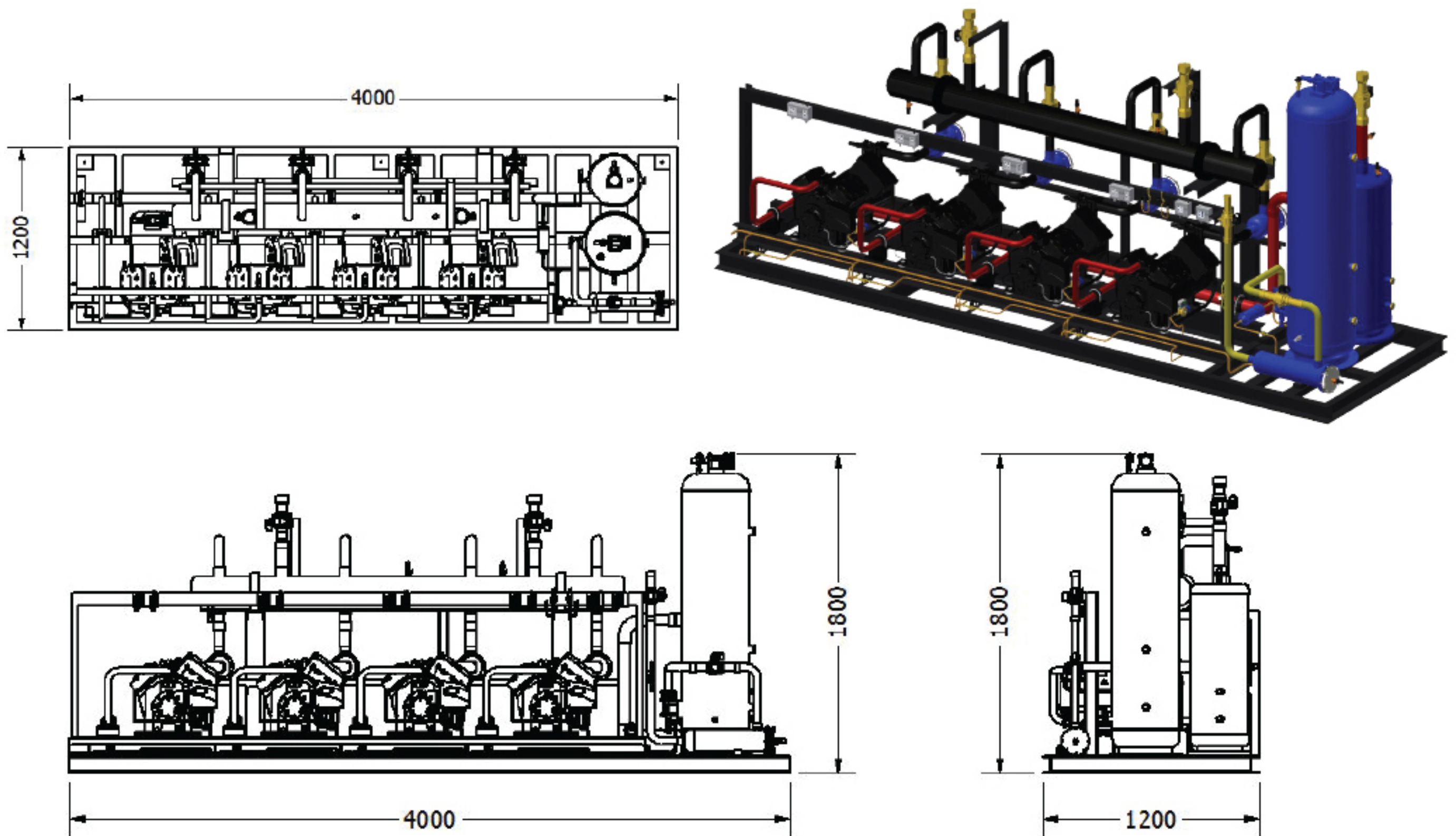
**Medium temp**

MODEL MULTI SET	RDM	140		160		200	
COMPRESSOR TYPE		Copeland SEMI HERMETIC Stream					
COMPRESSOR MODEL		4MK1-35X-AWM		6MI1-40X-AWM		6MK1-50X-AWM	
COMPRESSOR QTY.	Set	4					
		Condition.1	Condition.2	Condition.1	Condition.2	Condition.1	Condition.2
COOLING CAPACITY	KW.	208.80	189.60	251.20	229.20	314.80	287.20
POWER INPUT	KW.	84.00	88.00	100.00	105.20	128.00	134.80
COP		2.49	2.15	2.51	2.18	2.46	2.13
REFRIGERANT		R404A					
RECEIVER TANK VOLUME	Ltr.	150.00				200.00	
TOTAL OIL VOLUME	Ltr.	59.00				79.00	
CONDENSER TYPE		Remote Air Cooled / Water Cooled					
CONNECTION PIPE							
MAIN LIQUID LINE	Inch	1 5/8"				2 1/8"	
MAIN SUCTION LINE	Inch	2 5/8" x 2				2 5/8" / 3 1/8"	
MAIN DISCHARGE LINE	Inch	2 5/8"				3 1/8"	
CONDENSATE LINE TO RECEIVER	Inch	2 1/8"				2 5/8"	
DIMENSIONS							
W x L x H	MM.	1200 x 4000 x 1800					
NET WEIGHT	KG.	1208		1276		1320	

Remark : Condition.1 Design At TE/TC = -13 / +40 °C , Return Gas Temperature 20 °C  
 Condition.2 Design At TE/TC = -13 / +45 °C , Return Gas Temperature 20 °C

**DIMENSIONAL DRAWING**

(COMPRESSOR 4 SET)



**STREAM COMPRESSOR RACK (Multi Sets)**

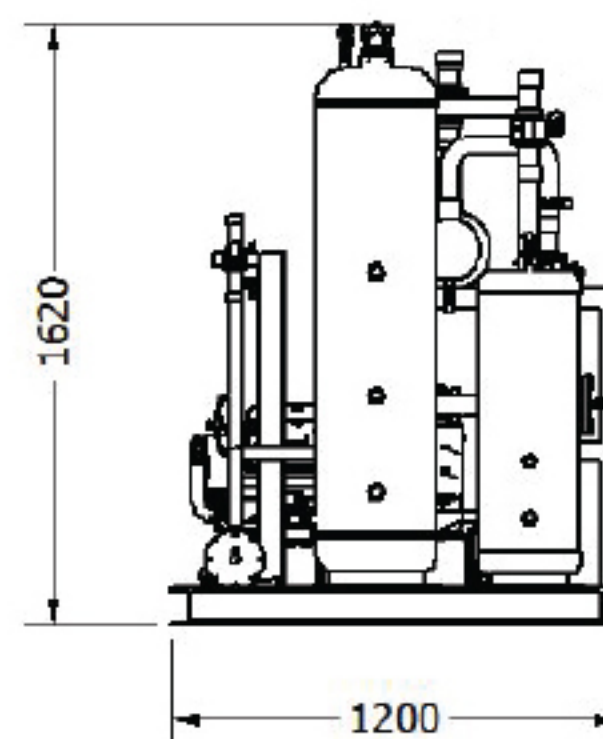
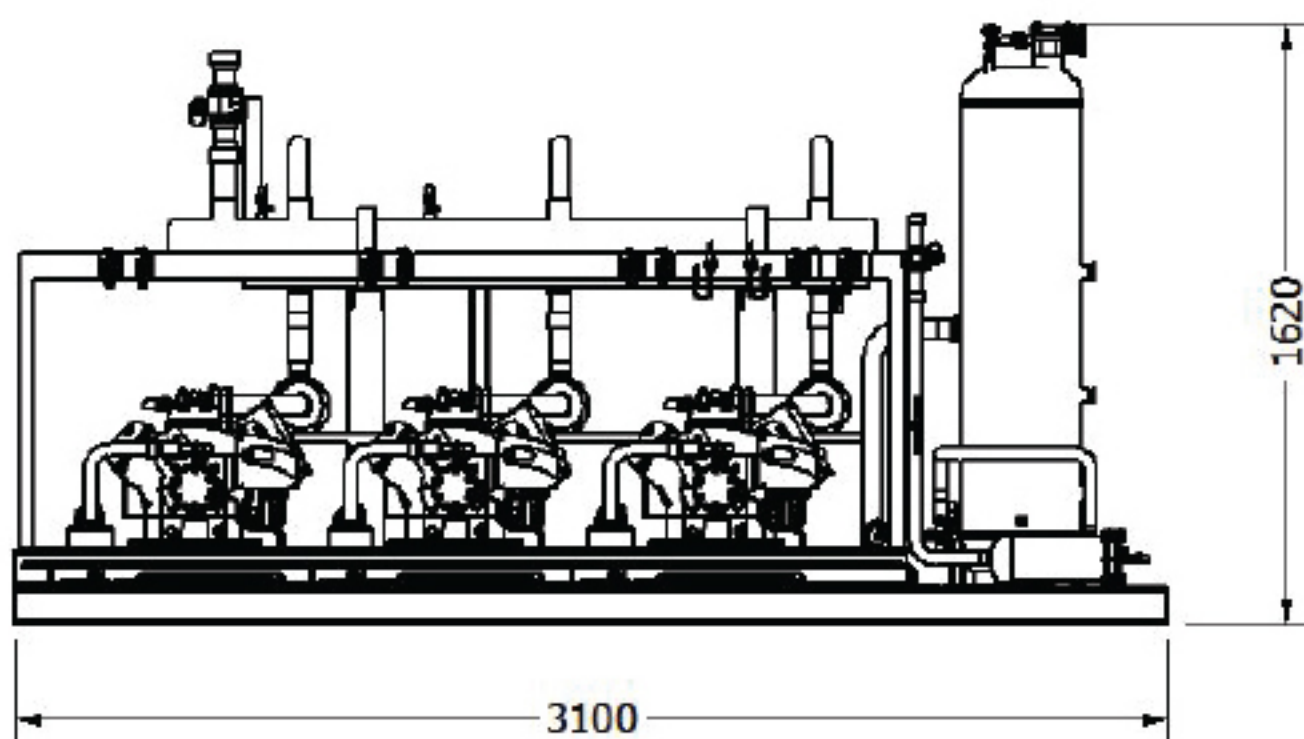
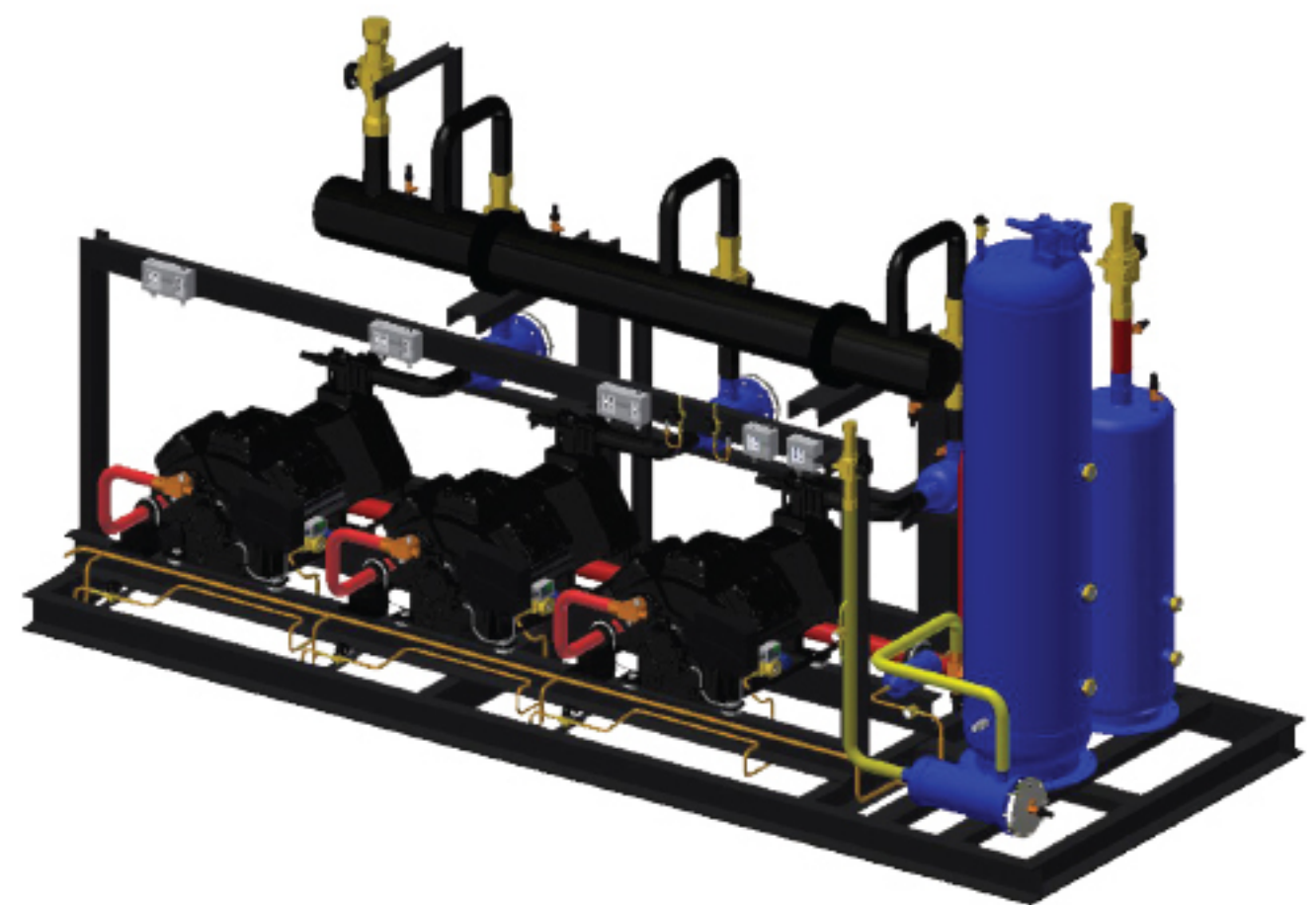
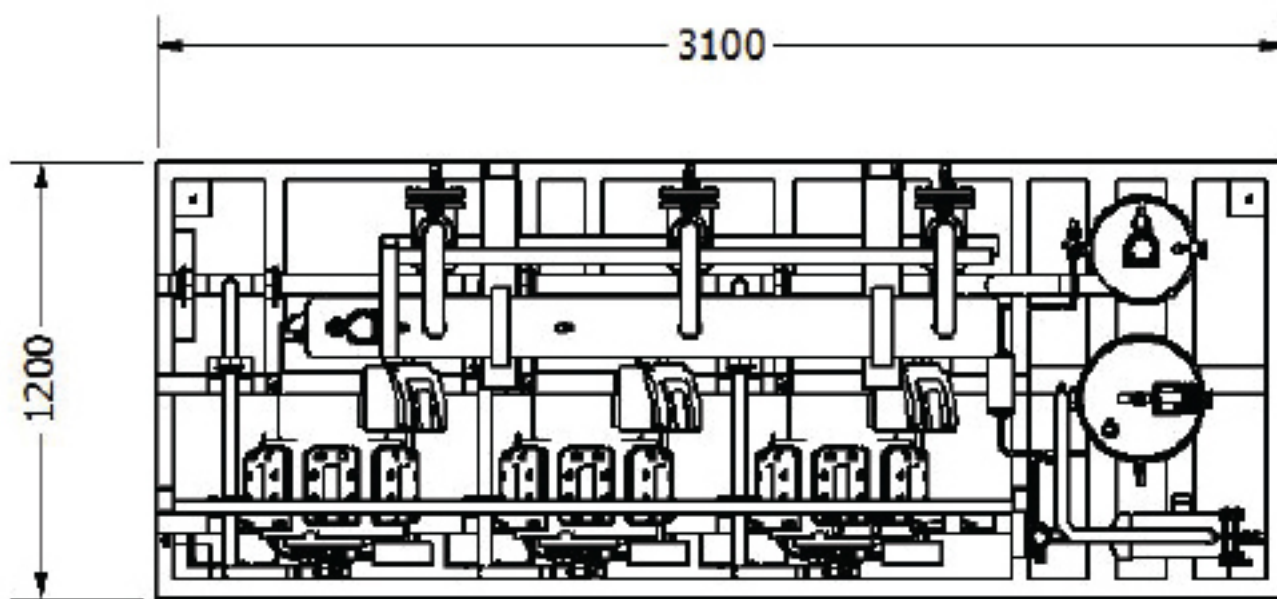
**Low temp**

MODEL MULTI SET	RDL	45		60		75	
COMPRESSOR TYPE		Copeland SEMI HERMETIC Stream					
COMPRESSOR MODEL		4ML1-15X-AWM		4MM1-20X-AWM		4MU1-25X-AWM	
COMPRESSOR QTY.	Set	3					
		Condition.1	Condition.2	Condition.1	Condition.2	Condition.1	Condition.2
COOLING CAPACITY	KW.	34.05	29.64	38.85	33.75	47.55	41.55
POWER INPUT	KW.	27.06	27.51	30.30	30.75	38.55	39.00
COP		1.26	1.08	1.28	1.10	1.23	1.07
REFRIGERANT		R404A					
RECEIVER TANK VOLUME	Ltr.	80.00		100.00			
TOTAL OIL VOLUME	Ltr.	20.00		36.00			
CONDENSER TYPE		Remote Air Cooled / Water Cooled					
CONNECTION PIPE							
MAIN LIQUID LINE	Inch	1 1/8"					
MAIN SUCTION LINE	Inch	2 5/8"		3 1/8"			
MAIN DISCHARGE LINE	Inch	1 5/8"		2 1/8"			
CONDENSATE LINE TO RECEIVER	Inch	1 3/8"				1 5/8"	
DIMENSIONS							
W x L x H	MM.	1200 x 3100 x 1620					
NET WEIGHT	KG.	840		846		858	

Remark : Condition.1 Design At TE/TC = -35 / +40 °C , Return Gas Temperature 20 °C  
 Condition.2 Design At TE/TC = -35 / +45 °C , Return Gas Temperature 20 °C

**DIMENSIONAL DRAWING**

(COMPRESSOR 3 SET)



**STREAM COMPRESSOR RACK (Multi Sets)**

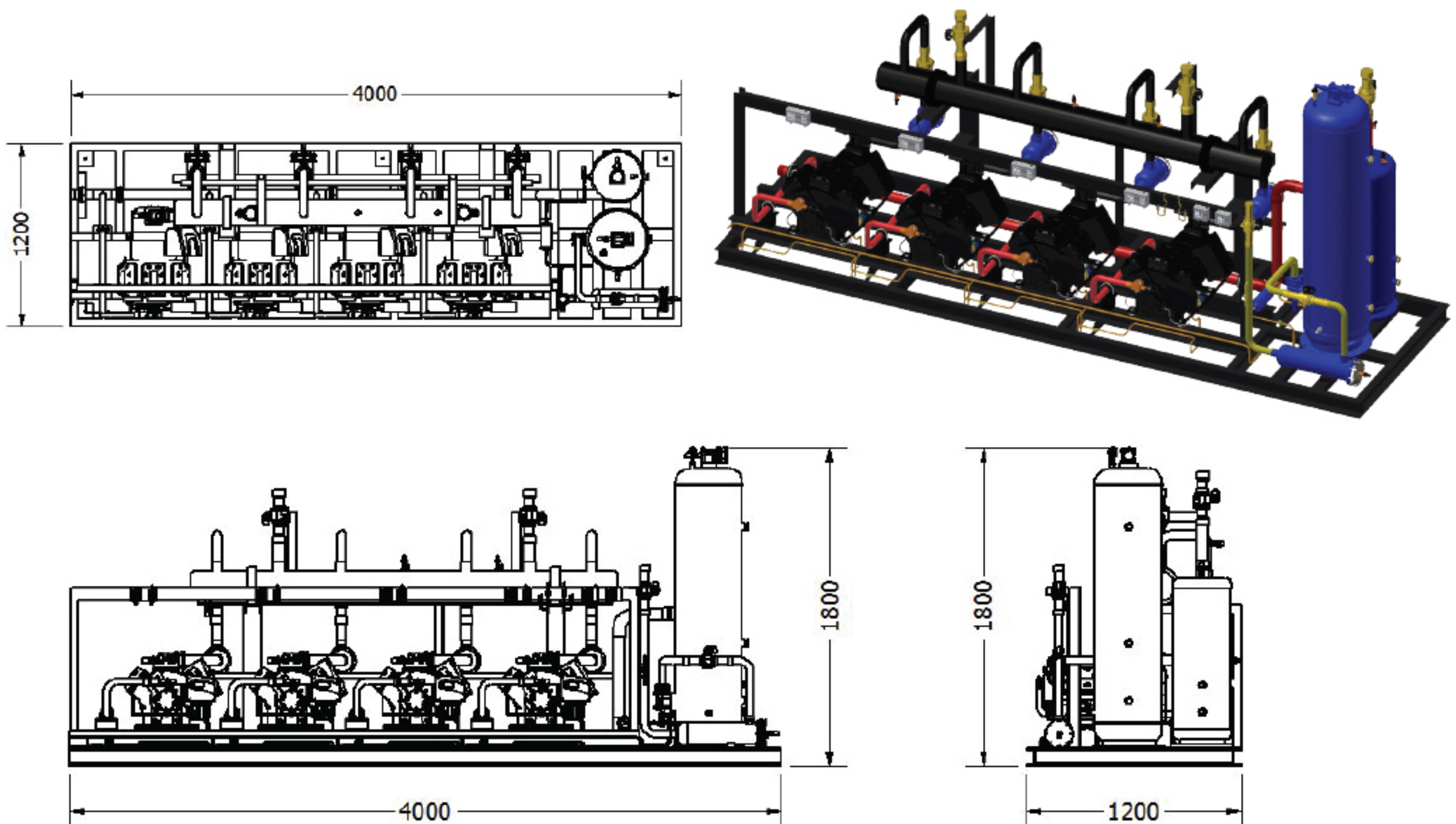
**Low temp**

MODEL MULTI SET	RDL	80		100		120		180	
COMPRESSOR TYPE		Copeland SEMI HERMETIC Stream							
COMPRESSOR MODEL		4MM1-20X-AWM		4MU1-25X-AWM		6MM1-30X-AWM		6MU1-40X-AWM	
COMPRESSOR QTY.	Set	4							
		Condition.1	Condition.2	Condition.1	Condition.2	Condition.1	Condition.2	Condition.1	Condition.2
COOLING CAPACITY	KW.	51.80	45.00	63.40	55.40	77.60	68.20	96.80	84.80
POWER INPUT	KW.	40.40	41.00	51.40	52.00	62.80	63.80	78.80	80.00
COP		1.28	1.10	1.23	1.07	1.24	1.07	1.23	1.06
REFRIGERANT		R404A							
RECEIVER TANK VOLUME	Ltr.	100.00		120.00		150.00		200.00	
TOTAL OIL VOLUME	Ltr.	36.00				59.00			
CONDENSER TYPE		Remote Air Cooled / Water Cooled							
CONNECTION PIPE									
MAIN LIQUID LINE	Inch	1 3/8"						1 5/8"	
MAIN SUCTION LINE	Inch	2 5/8" x 2				3 1/8" x 2			
MAIN DISCHARGE LINE	Inch	2 1/8"		2 5/8"				3 1/8"	
CONDENSATE LINE TO RECEIVER	Inch	1 5/8"				2 1/8"			
DIMENSIONS									
W x L x H	MM.	1200 x 4000 x 1800							
NET WEIGHT	KG.	1128		1144		1260		1300	

Remark : Condition.1 Design At TE/TC = -35 / +40 °C , Return Gas Temperature 20 °C  
 Condition.2 Design At TE/TC = -35 / +45 °C , Return Gas Temperature 20 °C

**DIMENSIONAL DRAWING**

(COMPRESSOR 4 SET)



**STREAM COMPRESSOR RACK (Multi Sets)**

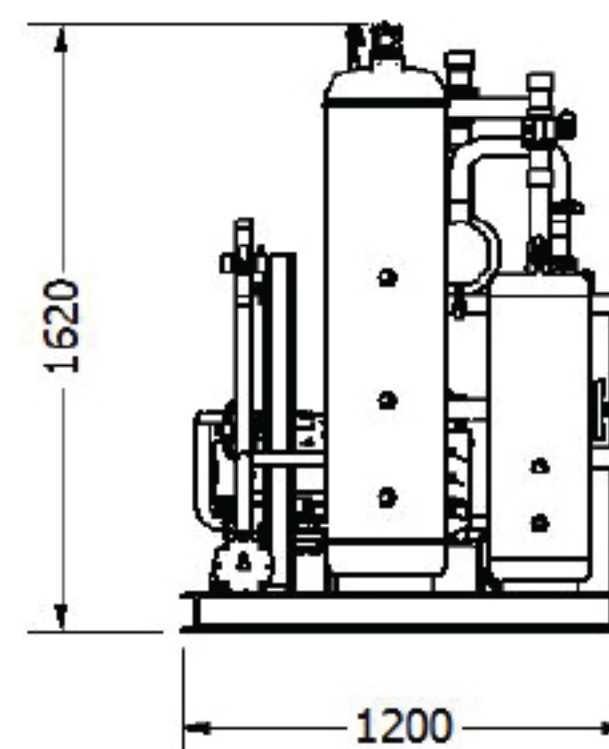
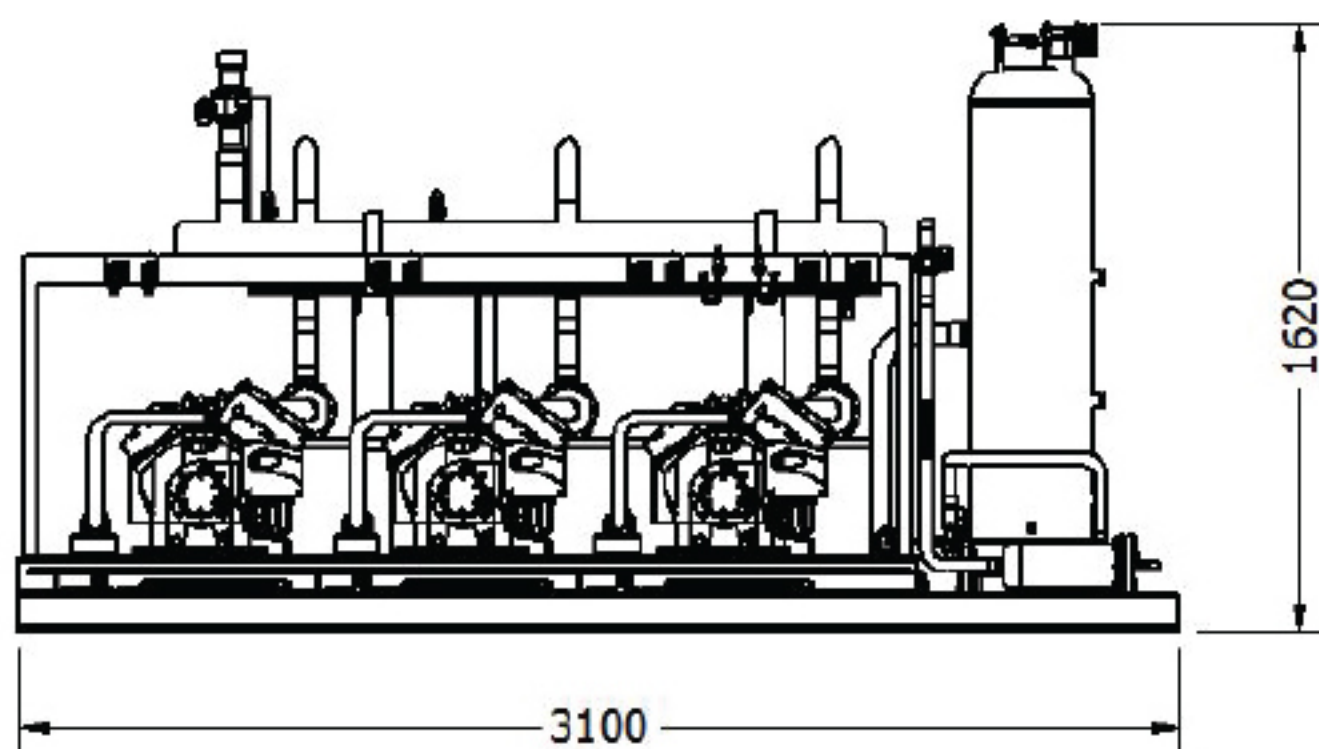
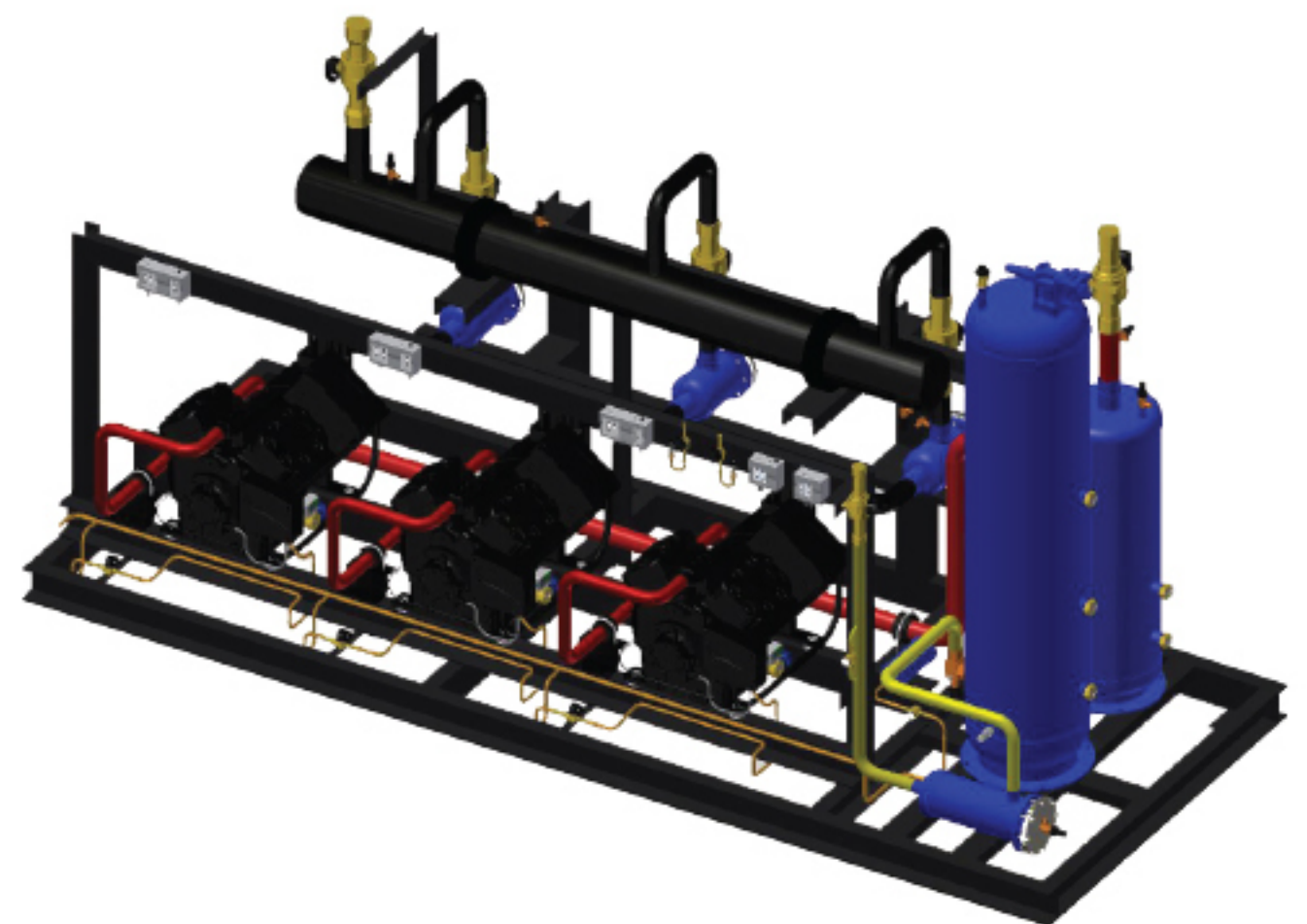
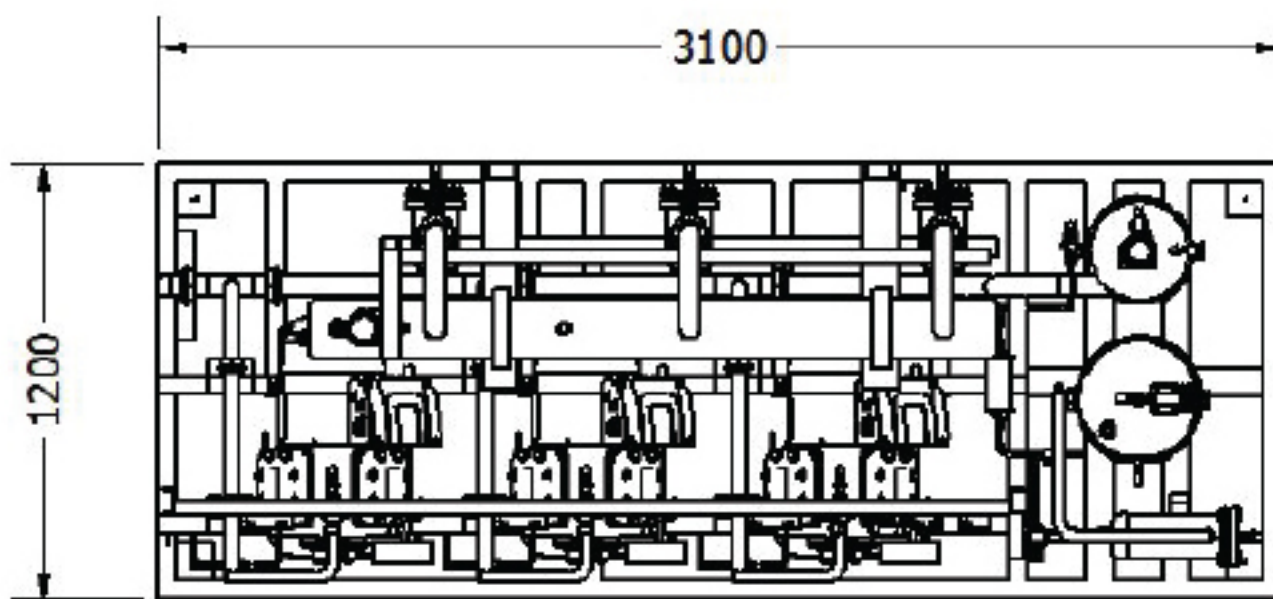
**Medium temp**

MODEL MULTI SET	RDM	75		90		105		120	
COMPRESSOR TYPE		Copeland SEMI HERMETIC Stream							
COMPRESSOR MODEL		4MH1-25X-AWM		4MI1-30X-AWM		4MK1-35X-AWM		6MI1-40X-AWM	
COMPRESSOR QTY.	Set	3							
		Condition.1	Condition.2	Condition.1	Condition.2	Condition.1	Condition.2	Condition.1	Condition.2
COOLING CAPACITY	KW.	105.90	98.70	117.00	108.90	145.80	135.90	178.80	166.80
POWER INPUT	KW.	41.10	43.35	44.85	47.55	57.90	61.20	69.60	73.50
COP		2.58	2.28	2.61	2.29	2.52	2.22	2.57	2.27
REFRIGERANT		R407F							
RECEIVER TANK VOLUME	Ltr.	100.00				150.00			
TOTAL OIL VOLUME	Ltr.	36.00				59.00			
CONDENSER TYPE		Remote Air Cooled / Water Cooled							
CONNECTION PIPE									
MAIN LIQUID LINE	Inch	1 3/8"				1 5/8"			
MAIN SUCTION LINE	Inch	2 5/8"		3 1/8"					
MAIN DISCHARGE LINE	Inch	2 1/8"				2 5/8"			
CONDENSATE LINE TO RECEIVER	Inch	1 5/8"				2 1/8"			
DIMENSIONS									
W x L x H	MM.	1200 x 3100 x 1620							
NET WEIGHT	KG.	861		864		906		957	

Remark : Condition.1 Design At TE/TC = -13 / +40 °C , Return Gas Temperature 20 °C  
 Condition.2 Design At TE/TC = -13 / +45 °C , Return Gas Temperature 20 °C

**DIMENSIONAL DRAWING**

(COMPRESSOR 3 SET)





**STREAM COMPRESSOR RACK (Multi Sets)**

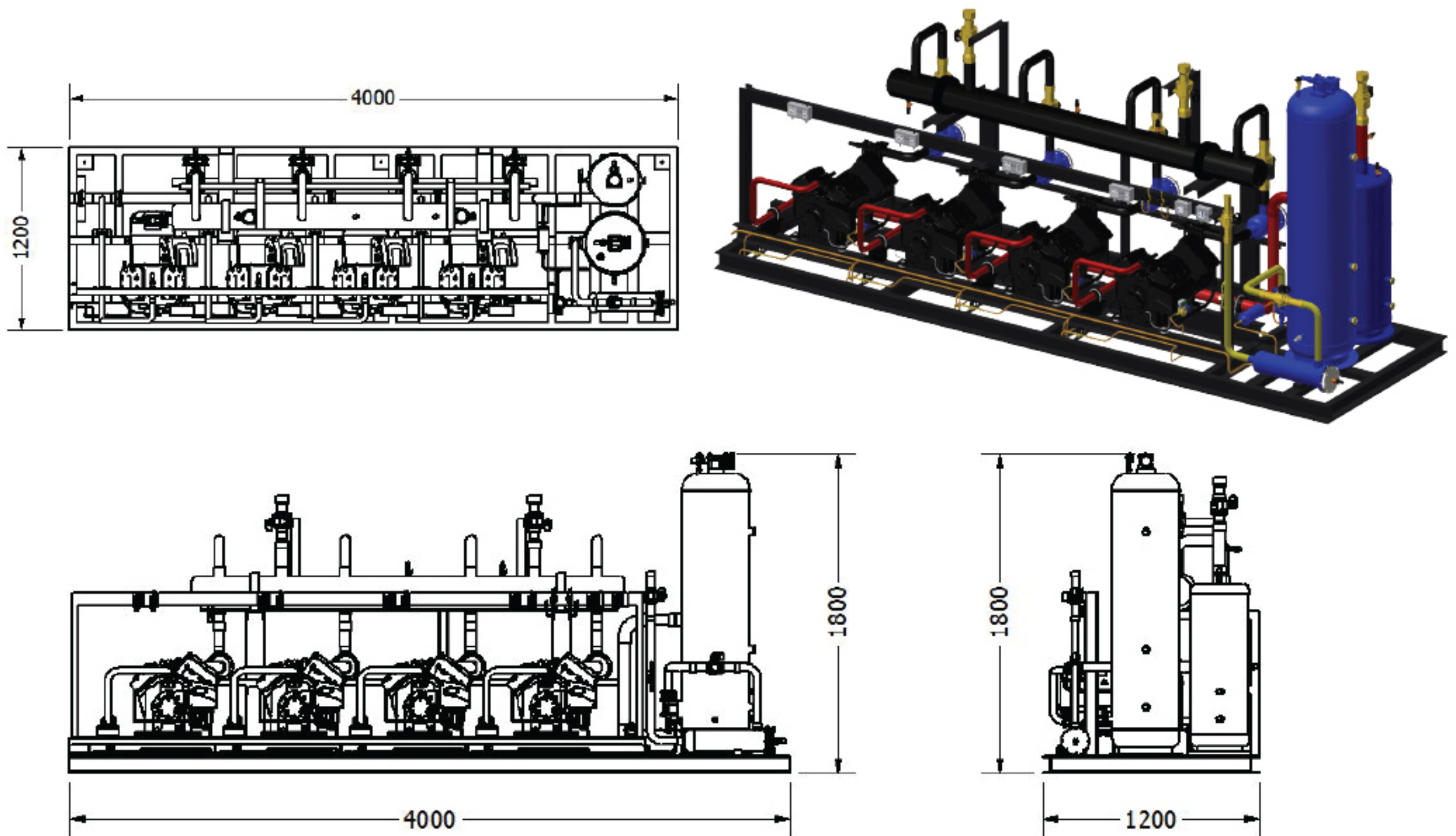
**Medium temp**

MODEL MULTI SET	RDM	140		160		200	
COMPRESSOR TYPE		Copeland SEMI HERMETIC Stream					
COMPRESSOR MODEL		4MK1-35X-AWM		6MI1-40X-AWM		6MK1-50X-AWM	
COMPRESSOR QTY.	Set	4					
		Condition.1	Condition.2	Condition.1	Condition.2	Condition.1	Condition.2
COOLING CAPACITY	KW.	194.40	181.20	238.40	222.40	296.80	278.00
POWER INPUT	KW.	77.20	81.60	92.80	98.00	118.80	125.20
COP		2.52	2.22	2.57	2.27	2.50	2.22
REFRIGERANT		R407F					
RECEIVER TANK VOLUME	Ltr.	150.00				200.00	
TOTAL OIL VOLUME	Ltr.	59.00				79.00	
CONDENSER TYPE		Remote Air Cooled / Water Cooled					
CONNECTION PIPE							
MAIN LIQUID LINE	Inch	1 5/8"				2 1/8"	
MAIN SUCTION LINE	Inch	2 5/8" x 2				2 5/8" / 3 1/8"	
MAIN DISCHARGE LINE	Inch	2 5/8"				3 1/8"	
CONDENSATE LINE TO RECEIVER	Inch	2 1/8"				2 5/8"	
DIMENSIONS							
W x L x H	MM.	1200 x 4000 x 1800					
NET WEIGHT	KG.	1208		1276		1320	

Remark : Condition.1 Design At TE/TC = -13 / +40 °C , Return Gas Temperature 20 °C  
 Condition.2 Design At TE/TC = -13 / +45 °C , Return Gas Temperature 20 °C

**DIMENSIONAL DRAWING**

(COMPRESSOR 4 SET)



**STREAM COMPRESSOR RACK (Multi Sets)**

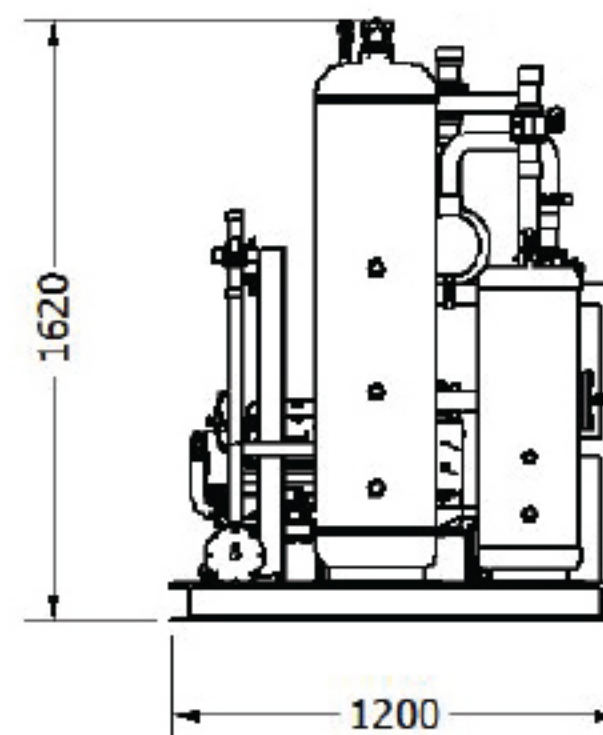
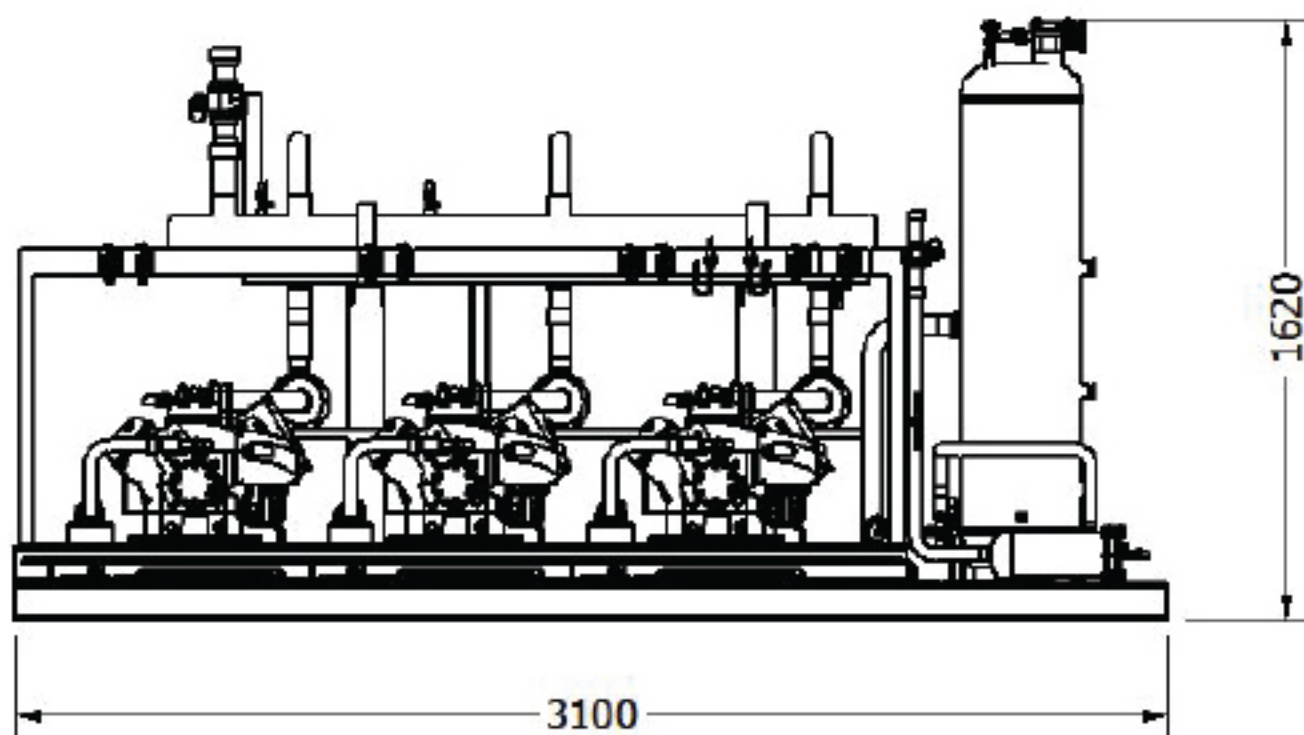
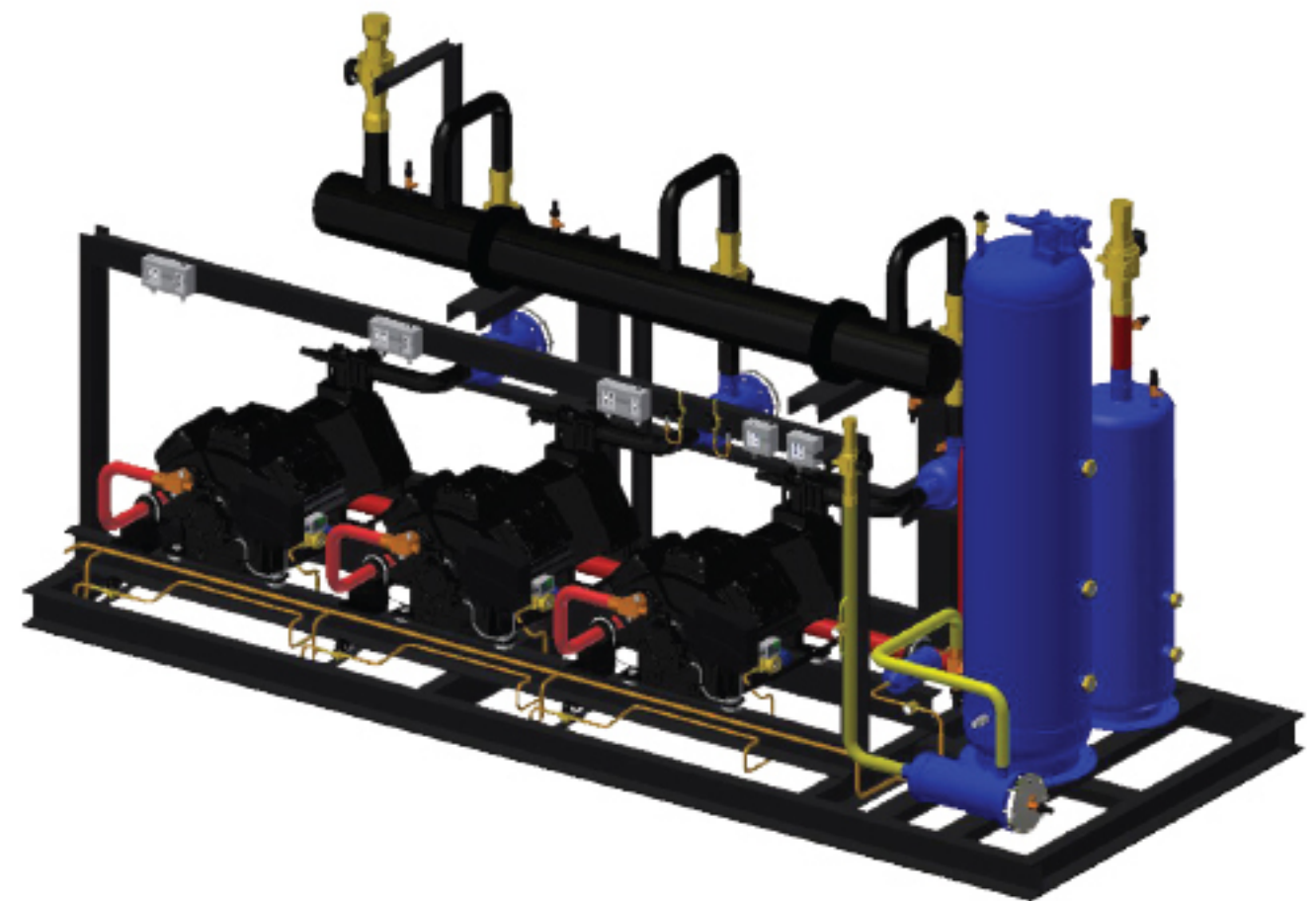
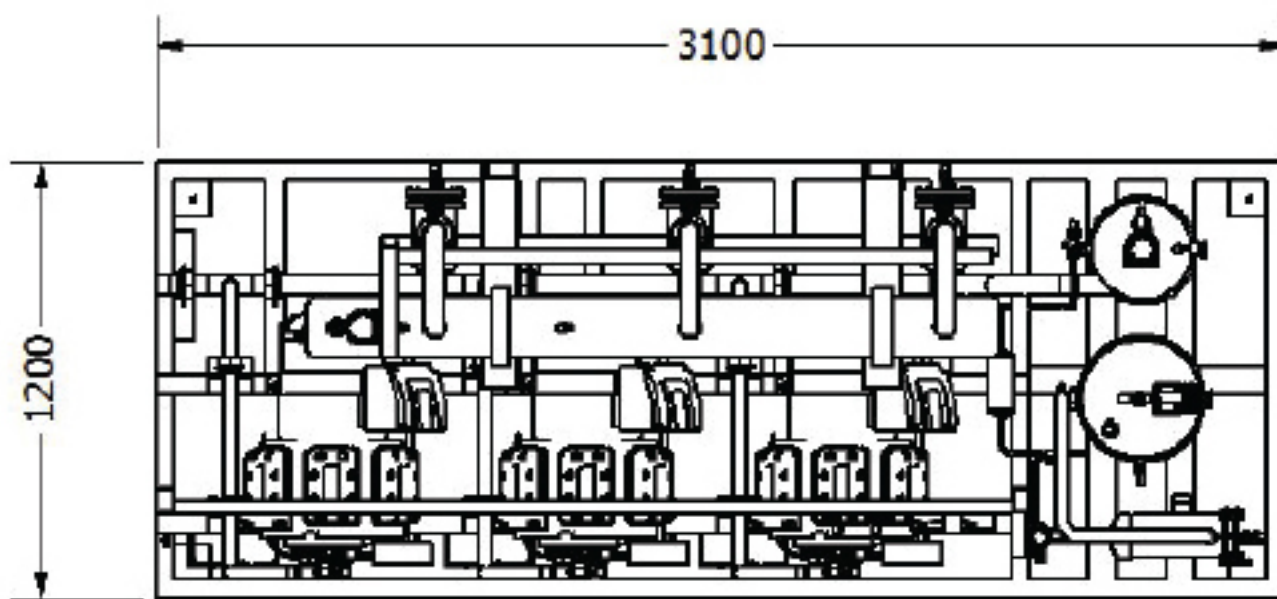
**Low temp**

MODEL MULTI SET	RDL	45		60		75	
COMPRESSOR TYPE		Copeland SEMI HERMETIC Stream					
COMPRESSOR MODEL		4ML1-15X-AWM		4MM1-20X-AWM		4MU1-25X-AWM	
COMPRESSOR QTY.	Set	3					
		Condition.1	Condition.2	Condition.1	Condition.2	Condition.1	Condition.2
COOLING CAPACITY	KW.	28.83	24.78	32.55	28.08	40.50	35.10
POWER INPUT	KW.	23.43	23.79	26.22	26.61	33.60	33.90
COP		1.23	1.04	1.24	1.06	1.21	1.04
REFRIGERANT		R407F					
RECEIVER TANK VOLUME	Ltr.	80.00		100.00			
TOTAL OIL VOLUME	Ltr.	20.00		36.00			
CONDENSER TYPE		Remote Air Cooled / Water Cooled					
CONNECTION PIPE							
MAIN LIQUID LINE	Inch	1 1/8"					
MAIN SUCTION LINE	Inch	2 5/8"		3 1/8"			
MAIN DISCHARGE LINE	Inch	1 5/8"		2 1/8"			
CONDENSATE LINE TO RECEIVER	Inch	1 3/8"				1 5/8"	
DIMENSIONS							
W x L x H	MM.	1200 x 3100 x 1620					
NET WEIGHT	KG.	840		846		858	

Remark : Condition.1 Design At TE/TC = -35 / +40 °C , Return Gas Temperature 20 °C  
 Condition.2 Design At TE/TC = -35 / +45 °C , Return Gas Temperature 20 °C

**DIMENSIONAL DRAWING**

(COMPRESSOR 3 SET)



**STREAM COMPRESSOR RACK (Multi Sets)**

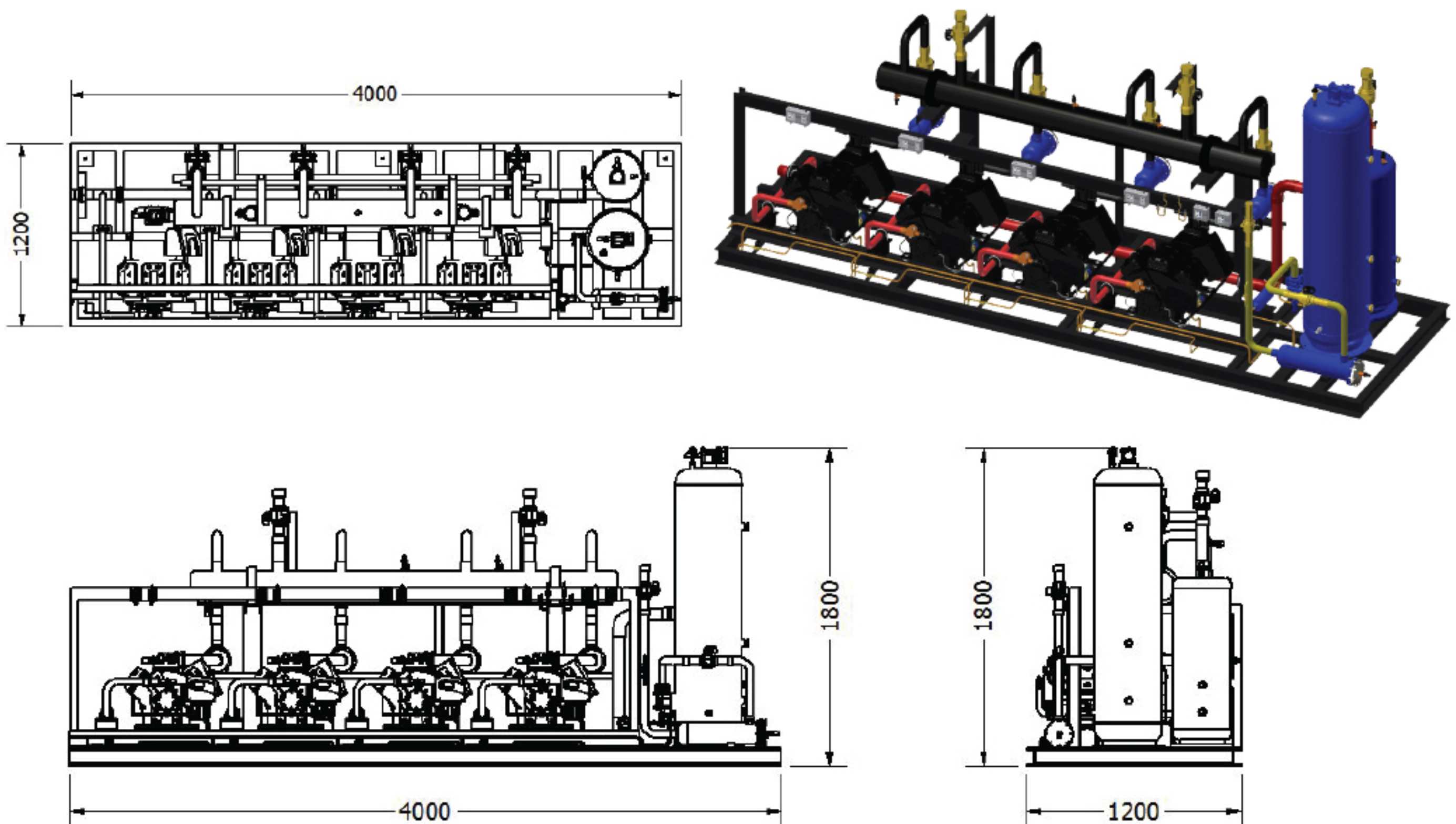
**Low temp**

MODEL MULTI SET	RDL	80		100		120		160	
COMPRESSOR TYPE		Copeland SEMI HERMETIC Stream							
COMPRESSOR MODEL		4MM1-20X-AWM		4MU1-25X-AWM		6MM1-30X-AWM		6MU1-40X-AWM	
COMPRESSOR QTY.	Set	4							
		Condition.1	Condition.2	Condition.1	Condition.2	Condition.1	Condition.2	Condition.1	Condition.2
COOLING CAPACITY	KW.	43.40	37.44	54.00	46.80	67.60	59.80	77.80	67.20
POWER INPUT	KW.	34.96	35.48	44.80	45.20	54.20	55.00	67.40	68.60
COP		1.24	1.06	1.21	1.04	1.25	1.09	1.15	0.98
REFRIGERANT		R407F							
RECEIVER TANK VOLUME	Ltr.	100.00		120.00		150.00		200.00	
TOTAL OIL VOLUME	Ltr.	36.00		59.00		79.00			
CONDENSER TYPE		Remote Air Cooled / Water Cooled							
CONNECTION PIPE									
MAIN LIQUID LINE	Inch	1 3/8"						1 5/8"	
MAIN SUCTION LINE	Inch	2 5/8" x 2				3 1/8" x 2			
MAIN DISCHARGE LINE	Inch	2 1/8"		2 5/8"				3 1/8"	
CONDENSATE LINE TO RECEIVER	Inch	1 5/8"				2 1/8"			
DIMENSIONS									
W x L x H	MM.	1200 x 4000 x 1800							
NET WEIGHT	KG.	1128		1144		1260		1300	

Remark : Condition.1 Design At TE/TC = -35 / +40 °C , Return Gas Temperature 20 °C  
 Condition.2 Design At TE/TC = -35 / +45 °C , Return Gas Temperature 20 °C

**DIMENSIONAL DRAWING**

(COMPRESSOR 4 SET)



SCROLL COMPRESSOR RACK (Multi Sets)

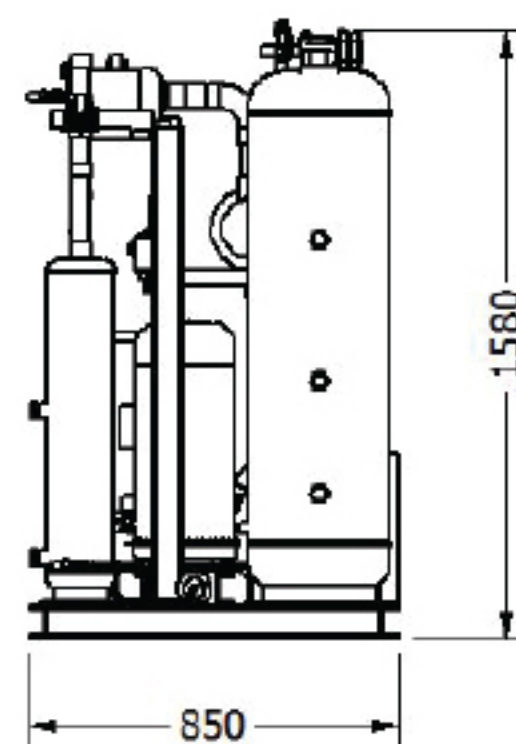
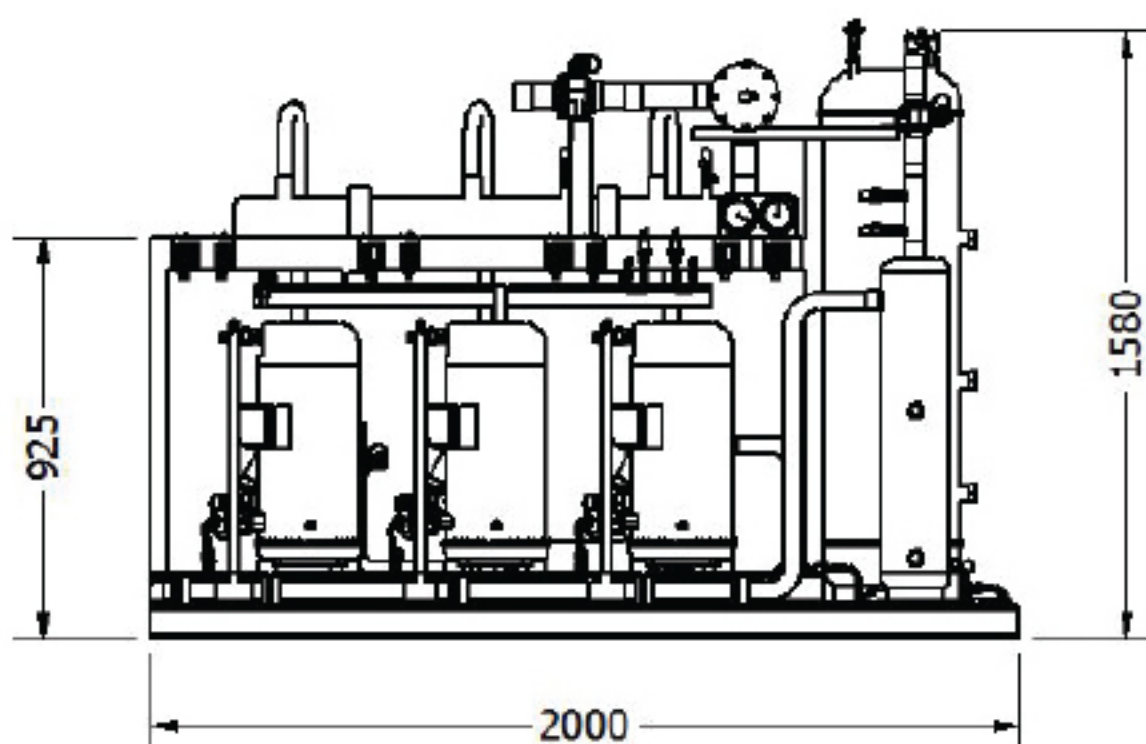
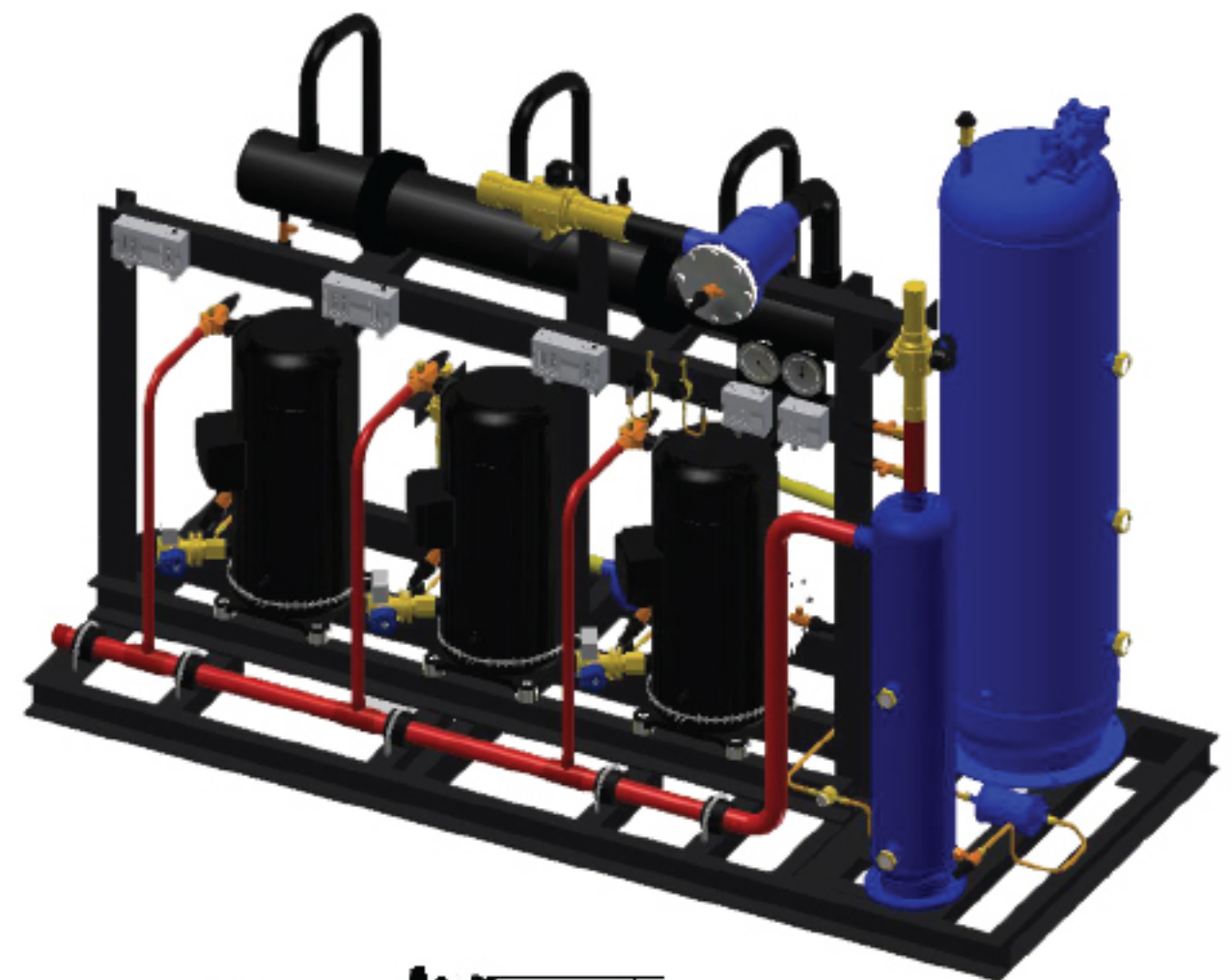
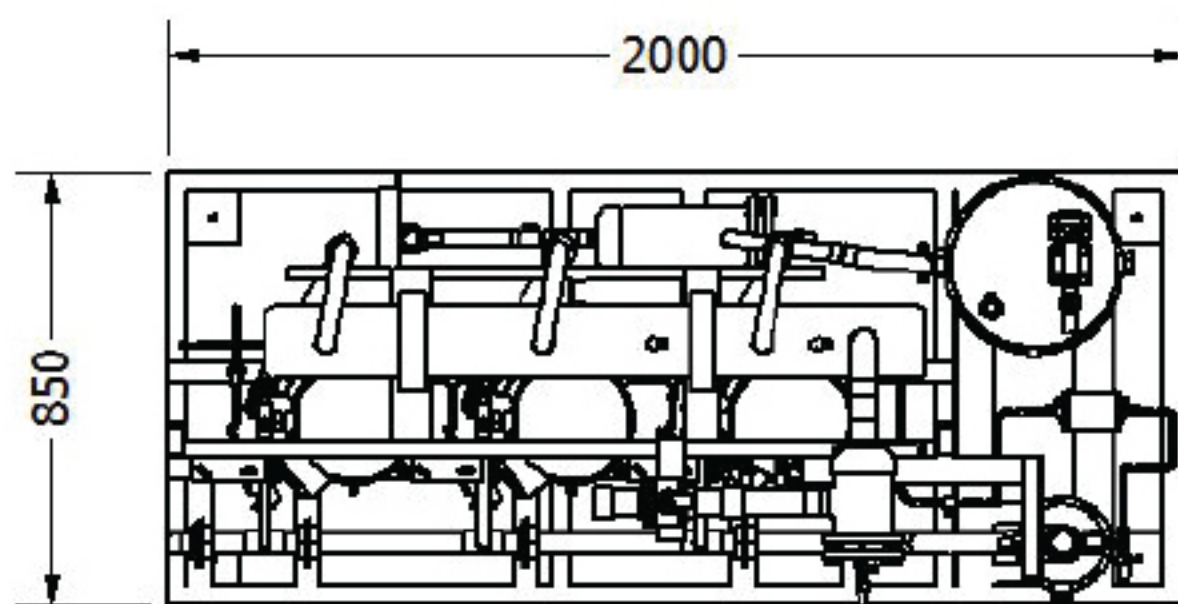
Medium temp

MODEL MULTI SET	RZBM	24	30	39	45				
COMPRESSOR TYPE		Copeland Scroll							
COMPRESSOR MODEL		ZB58KQE-TFD	ZB76KQE-TFD	ZB95KQE-TFD	ZB114KQE-TFD				
COMPRESSOR QTY.	Set	3							
		Condition.1	Condition.2	Condition.1	Condition.2	Condition.1	Condition.2	Condition.1	Condition.2
COOLING CAPACITY	KW.	38.55	35.25	51.60	47.55	63.60	57.90	75.00	68.10
POWER INPUT	KW.	16.92	18.93	22.02	24.54	28.35	31.80	33.90	37.95
COP		2.28	1.86	2.34	1.94	2.24	1.82	2.21	1.79
REFRIGERANT		R404A							
RECEIVER TANK VOLUME	Ltr.	40.00	60.00	80.00					
TOTAL OIL VOLUME	Ltr.	13.00	13.60						
CONDENSER TYPE		Remote Air Cooled / Water Cooled							
CONNECTION PIPE									
MAIN LIQUID LINE	Inch	7/8"	1 1/8"		1 3/8"				
MAIN SUCTION LINE	Inch	2 1/8"	2 5/8"						
MAIN DISCHARGE LINE	Inch	1 3/8"	1 5/8"		2 1/8"				
CONDENSATE LINE TO RECEIVER	Inch	1 1/8"	1 3/8"	1 5/8"					
DIMENSIONS									
W x L x H	MM.	850 x 2000 x 1580							
NET WEIGHT	KG.	342	372	372	378				

Remark : Condition.1 Design At TE/TC = -13 / +40 °C , Return Gas Temperature 18.3 °C  
 Condition.2 Design At TE/TC = -13 / +45 °C , Return Gas Temperature 18.3 °C

DIMENSIONAL DRAWING

(COMPRESSOR 3 SET)



SCROLL COMPRESSOR RACK (Multi Sets)

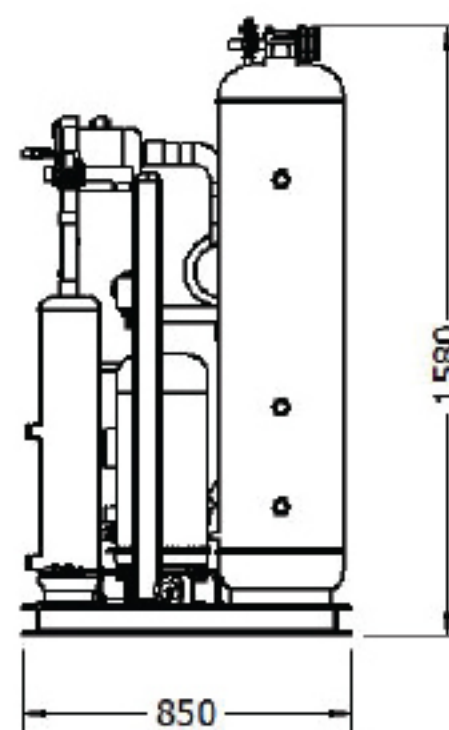
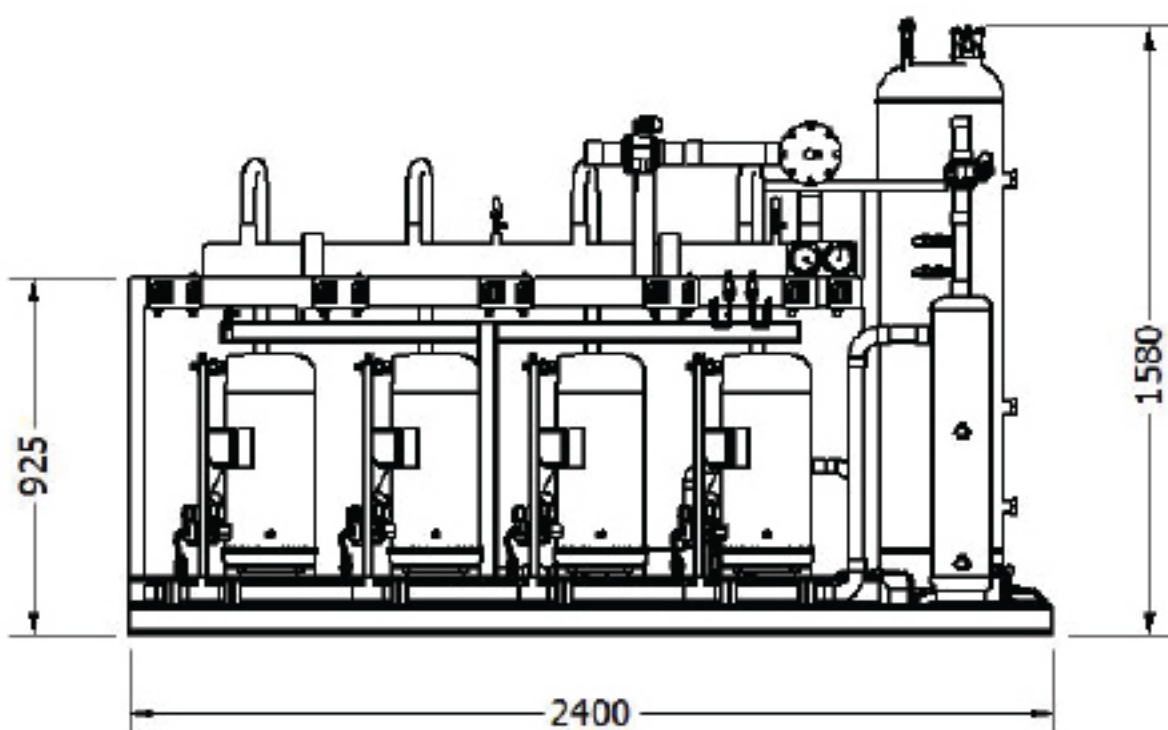
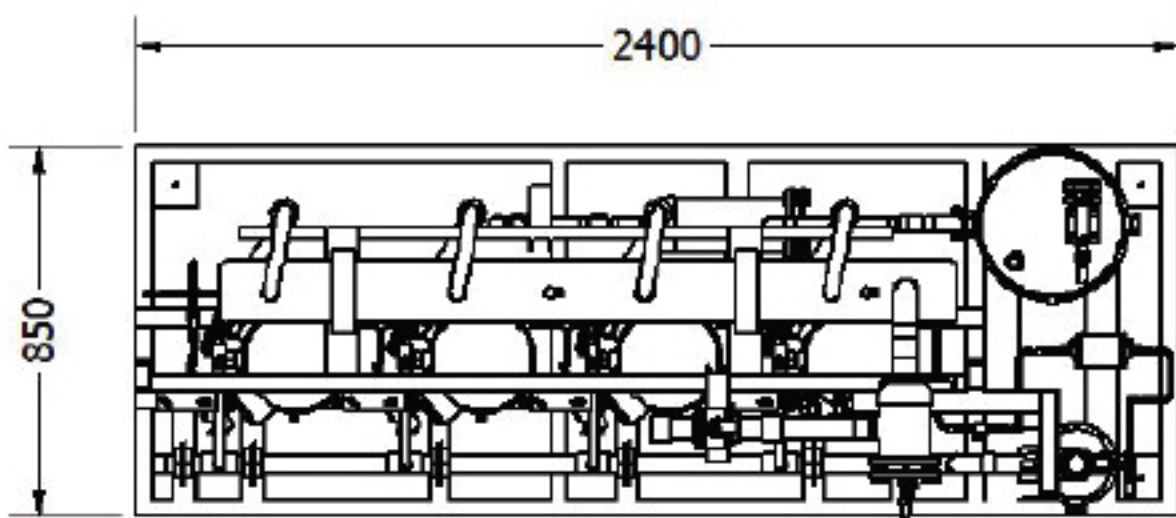
Medium temp

MODEL MULTI SET	RZBM	40		52		60	
COMPRESSOR TYPE		Copeland Scroll					
COMPRESSOR MODEL		ZB76KQE-TFD		ZB95KQE-TFD		ZB114KQE-TFD	
COMPRESSOR QTY.	Set	4					
		Condition.1	Condition.2	Condition.1	Condition.2	Condition.1	Condition.2
COOLING CAPACITY	KW.	68.80	63.40	84.80	77.20	100.0	90.80
POWER INPUT	KW.	29.36	32.72	37.80	42.40	45.20	50.60
COP		2.34	1.94	2.24	1.82	2.21	1.79
REFRIGERANT		R404A					
RECEIVER TANK VOLUME	Ltr.	80.00		100.00		130.00	
TOTAL OIL VOLUME	Ltr.	13.60					
CONDENSER TYPE		Remote Air Cooled / Water Cooled					
CONNECTION PIPE							
MAIN LIQUID LINE	Inch	1 1/8"		1 3/8"			
MAIN SUCTION LINE	Inch	2 5/8"				3 1/8"	
MAIN DISCHARGE LINE	Inch	1 5/8"		2 1/8"			
CONDENSATE LINE TO RECEIVER	Inch	1 5/8"				2 1/8"	
DIMENSIONS							
W x L x H	MM.	850 x 2400 x 1580					
NET WEIGHT	KG.	496		496		504	

Remark : Condition.1 Design At TE/TC = -13 / +40 °C , Return Gas Temperature 18.3 °C  
 Condition.2 Design At TE/TC = -13 / +45 °C , Return Gas Temperature 18.3 °C

DIMENSIONAL DRAWING

(COMPRESSOR 4 SET)



SCROLL COMPRESSOR RACK (Multi Sets)

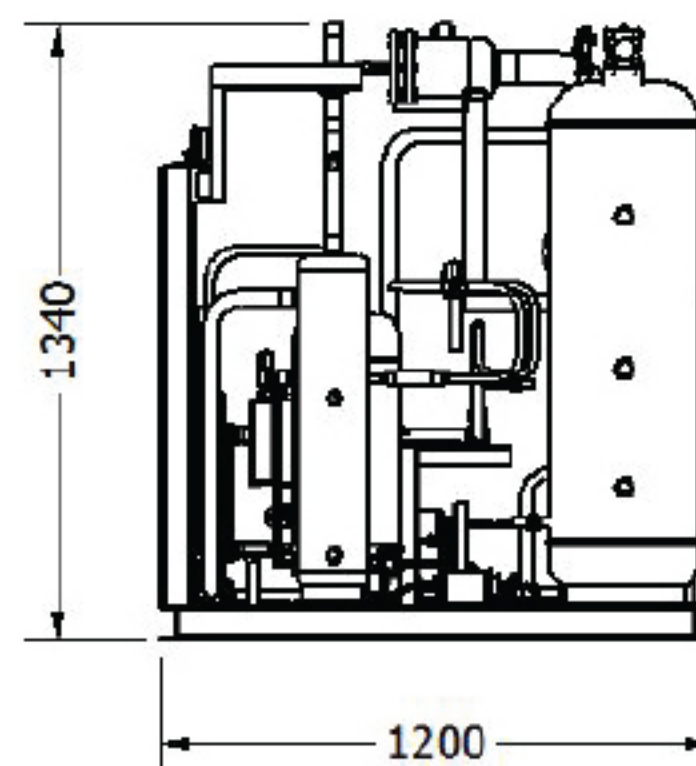
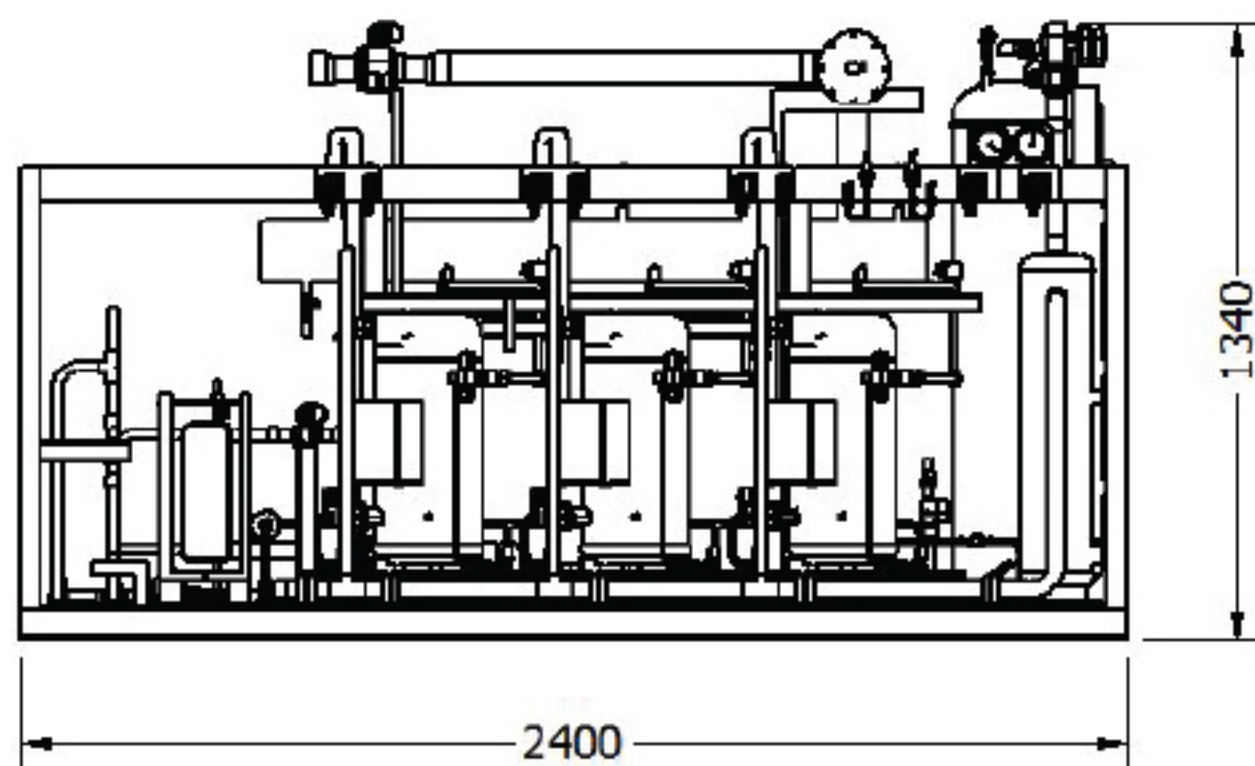
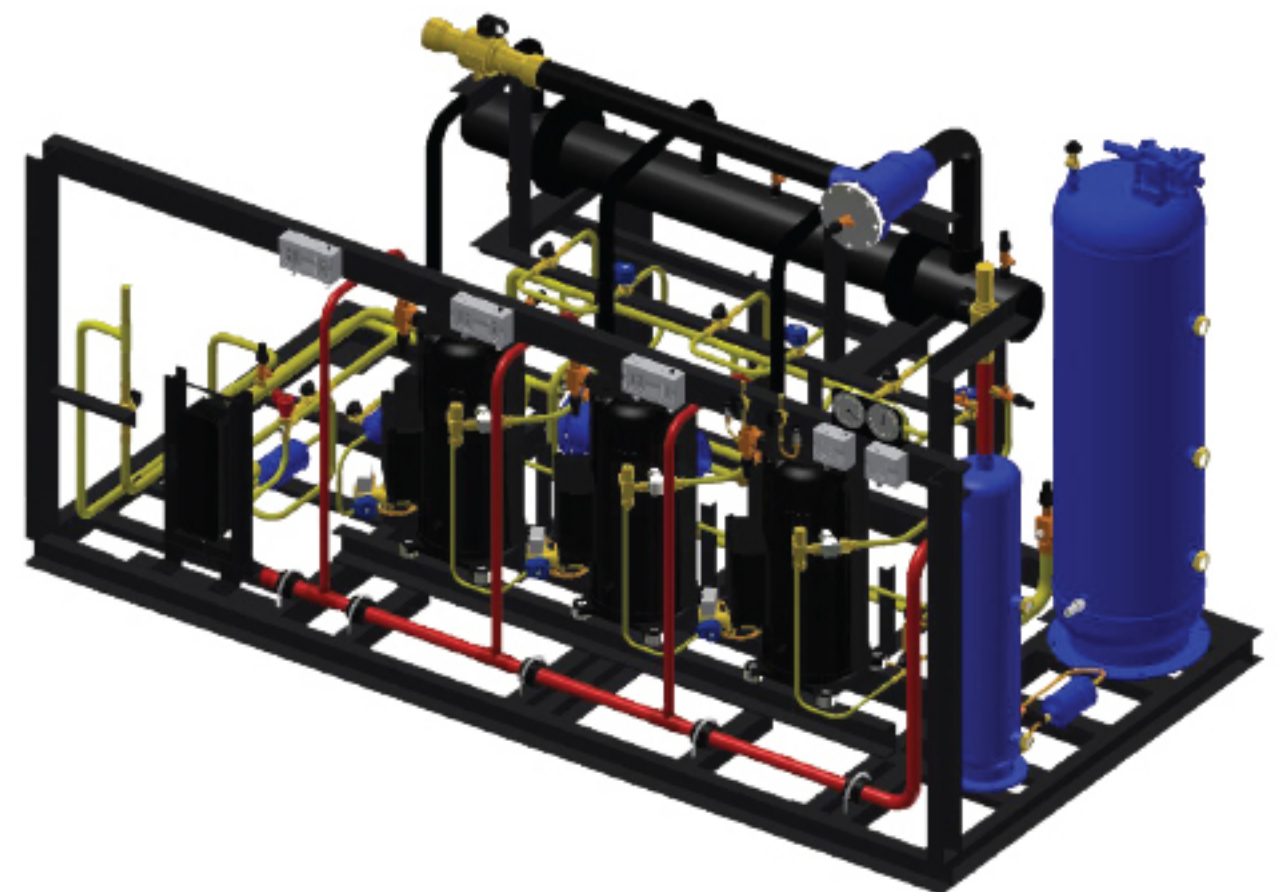
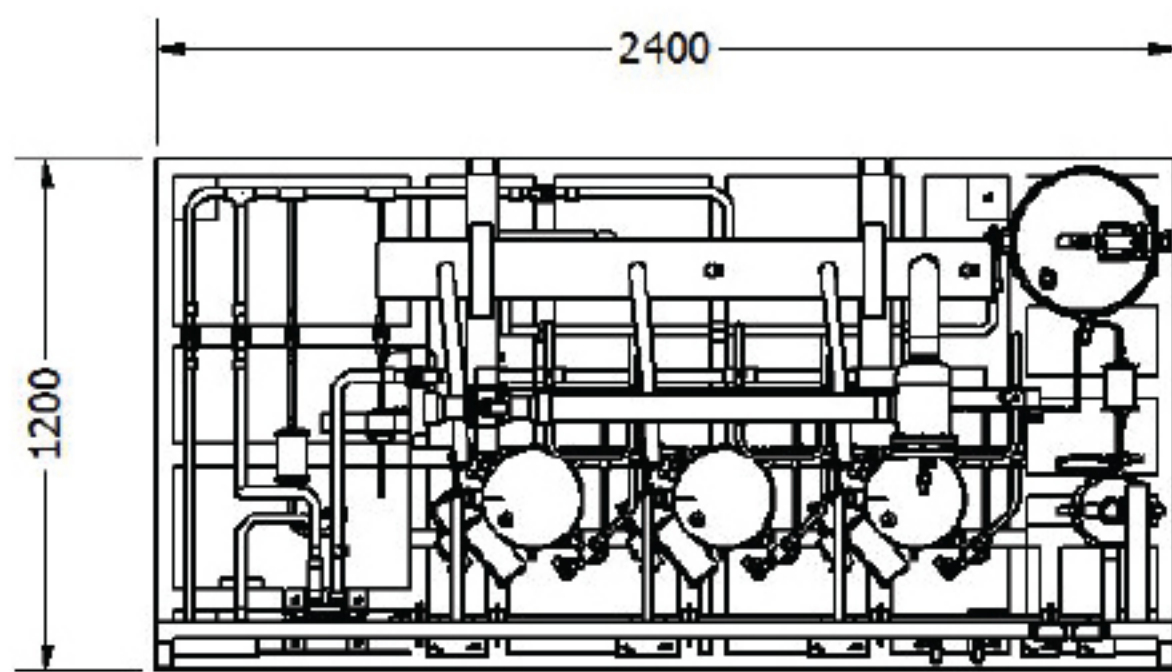
Low temp

MODEL MULTI SET	RZFIL	23		30		39		45	
COMPRESSOR TYPE		Copeland Scroll							
COMPRESSOR MODEL		ZF136KQE-TFD		ZF150KQE-TFD		ZF159KQE-TFD		ZF168KQE-TFD	
COMPRESSOR QTY.	Set	3							
COOLING CAPACITY	KW.	Condition.1	Condition.2	Condition.1	Condition.2	Condition.1	Condition.2	Condition.1	Condition.2
POWER INPUT	KW.	22.89	22.44	31.35	30.75	38.85	38.10	44.10	43.20
COP		1.66	1.49	1.68	1.51	1.68	1.51	1.64	1.47
REFRIGERANT		R404A							
RECEIVER TANK VOLUME	Ltr.	60.00		80.00		100.00		100.00	
TOTAL OIL VOLUME	Ltr.	4.30		13.00		13.60		13.60	
CONDENSER TYPE		Remote Air Cooled / Water Cooled							
CONNECTION PIPE									
MAIN LIQUID LINE	Inch	7/8"				1 1/8"			
MAIN SUCTION LINE	Inch	2 1/8"			2 5/8"				
MAIN DISCHARGE LINE	Inch	1 1/8"			1 3/8"				
CONDENSATE LINE TO RECEIVER	Inch	1 1/8"			1 3/8"				
DIMENSIONS									
W x L x H	MM.	1200 x 2400 x 1340							
NET WEIGHT	KG.	234		378		378		396	

Remark : Condition.1 Design At TE/TC = -35 / +40 °C , Compressor Superheat = 20 K  
 Condition.2 Design At TE/TC = -35 / +45 °C , Compressor Superheat = 20 K

DIMENSIONAL DRAWING

(COMPRESSOR 3 SET)



**SCROLL COMPRESSOR RACK (Multi Sets)**

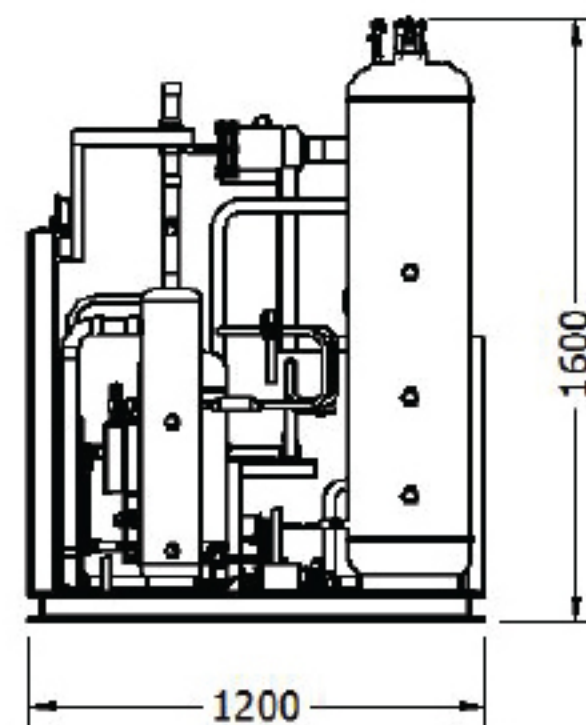
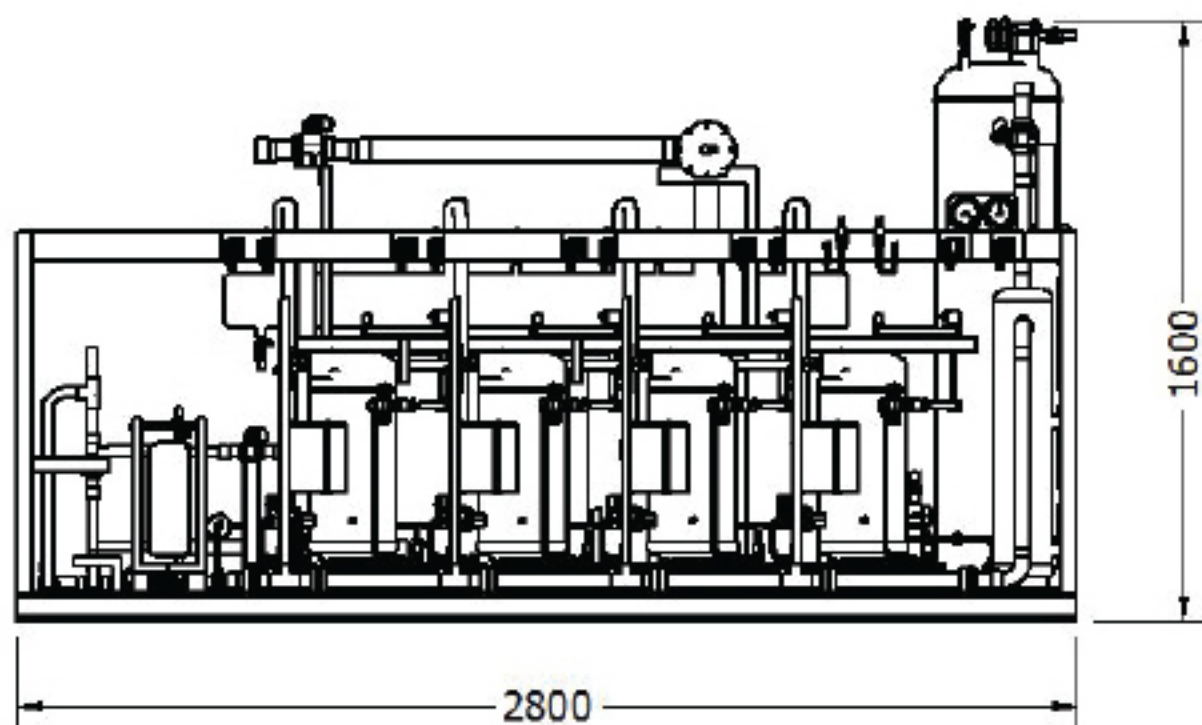
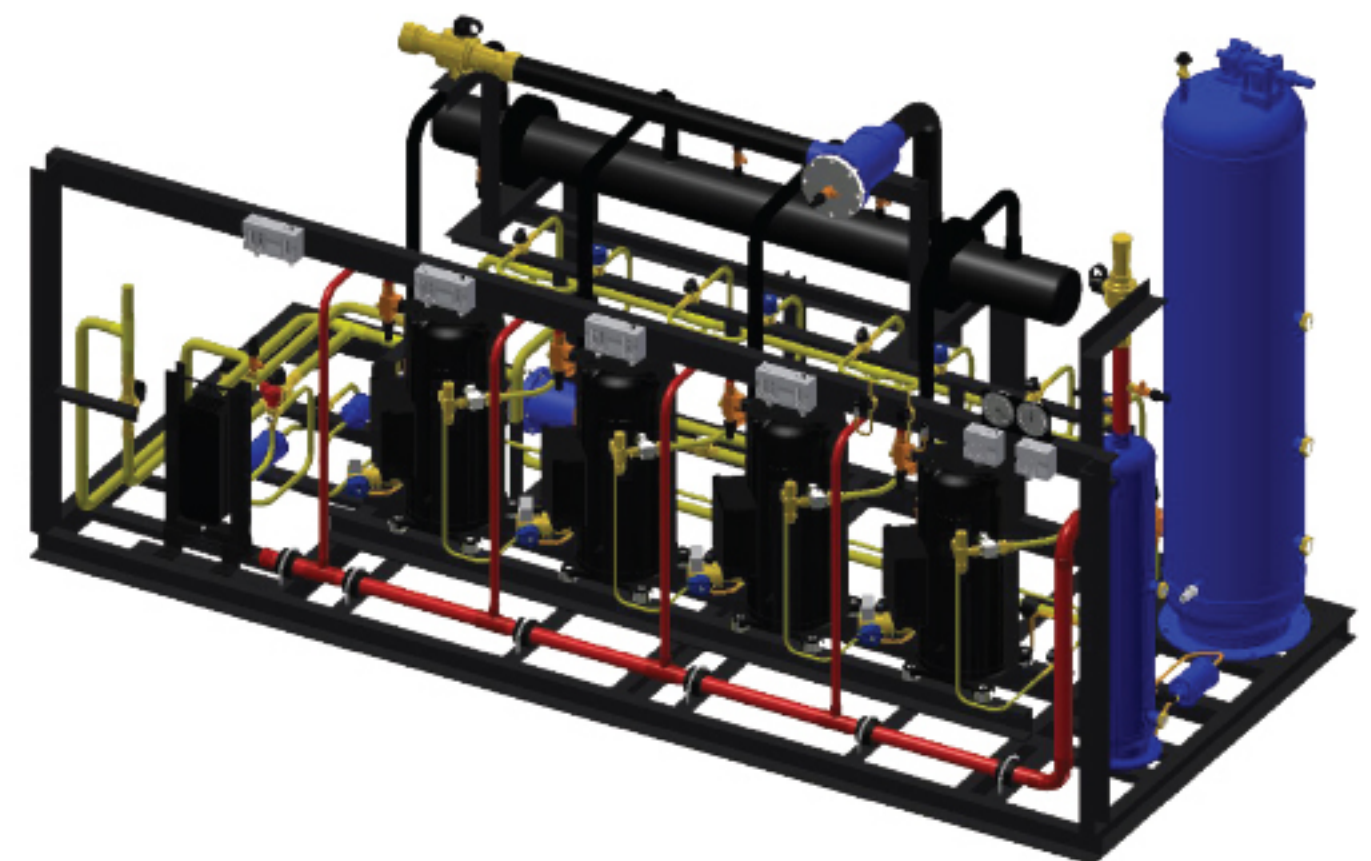
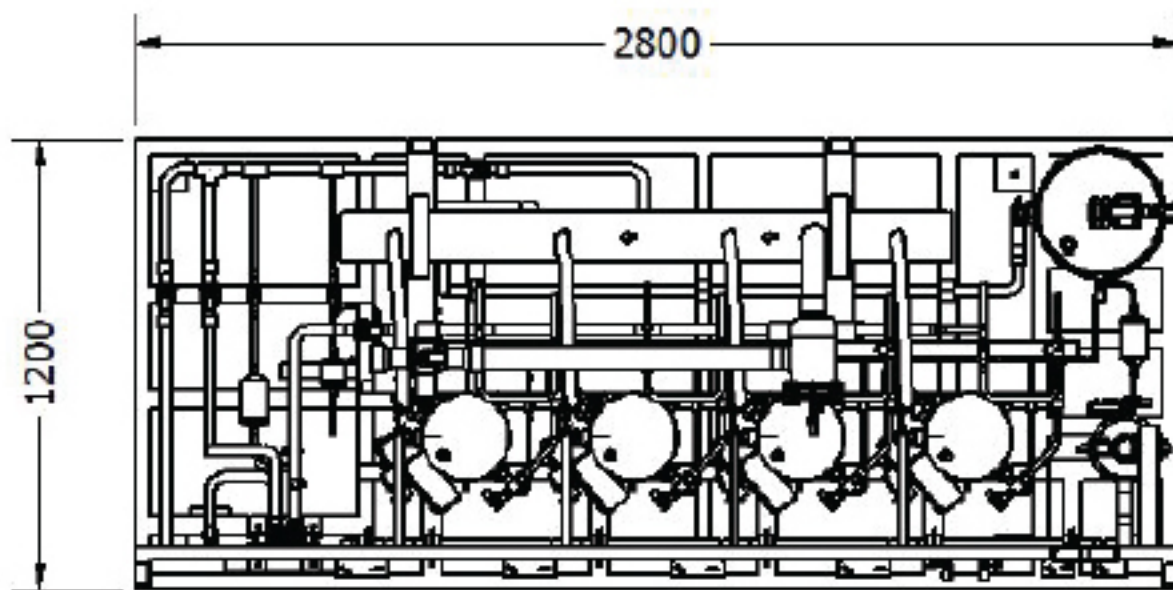
**Low temp**

MODEL MULTI SET	RZFIL	40		52		60	
COMPRESSOR TYPE		Copeland Scroll					
COMPRESSOR MODEL		ZFI50KQE-TFD		ZFI59KQE-TFD		ZFI68KQE-TFD	
COMPRESSOR QTY.	Set	4					
		Condition.1	Condition.2	Condition.1	Condition.2	Condition.1	Condition.2
COOLING CAPACITY	KW.	68.80	63.40	84.80	77.20	100.0	90.80
POWER INPUT	KW.	29.36	32.72	37.80	42.40	45.20	50.60
COP		2.34	1.94	2.24	1.82	2.21	1.79
REFRIGERANT		R404A					
RECEIVER TANK VOLUME	Ltr.	100.00				130.00	
TOTAL OIL VOLUME	Ltr.	13.00		13.60			
CONDENSER TYPE		Remote Air Cooled / Water Cooled					
CONNECTION PIPE							
MAIN LIQUID LINE	Inch	1 1/8"					
MAIN SUCTION LINE	Inch	2 5/8"				3 1/8"	
MAIN DISCHARGE LINE	Inch	1 3/8"		1 5/8"			
CONDENSATE LINE TO RECEIVER	Inch	1 3/8"		1 5/8"			
DIMENSIONS							
W x L x H	MM.	1200 x 2800 x 1600					
NET WEIGHT	KG.	504		504		528	

Remark : Condition.1 Design At TE/TC = -35 / +40 °C , Compressor Superheat = 20 K  
 Condition.2 Design At TE/TC = -35 / +45 °C , Compressor Superheat = 20 K

**DIMENSIONAL DRAWING**

(COMPRESSOR 4 SET)



SCROLL COMPRESSOR RACK (Multi Sets)

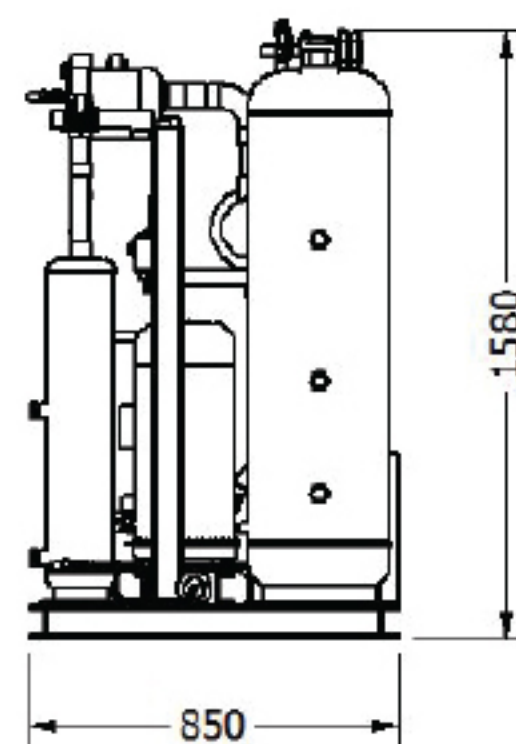
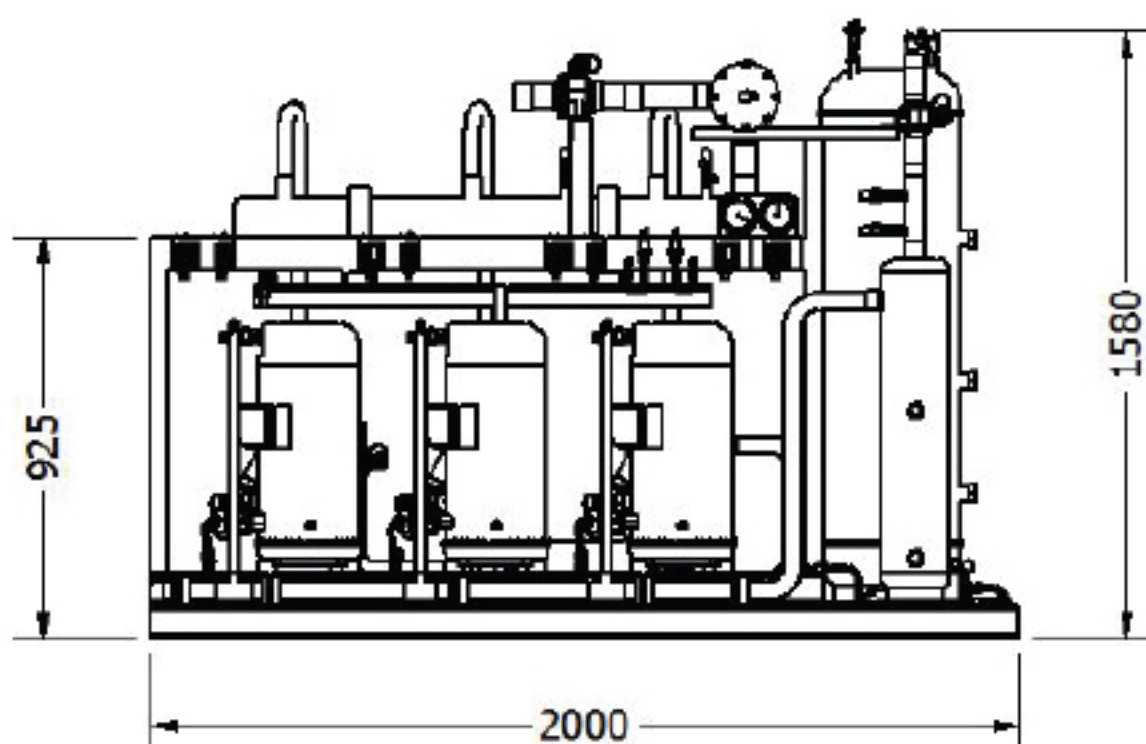
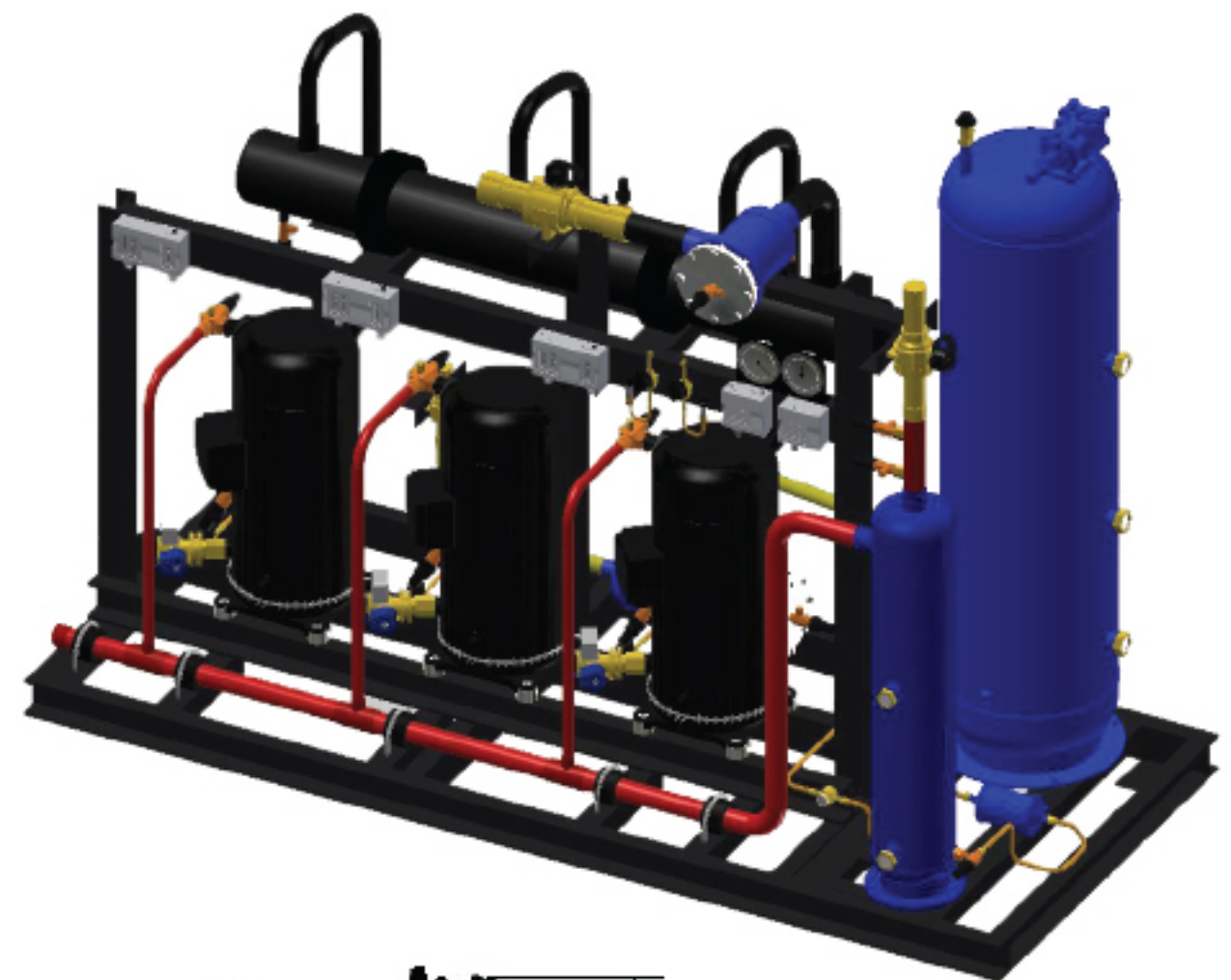
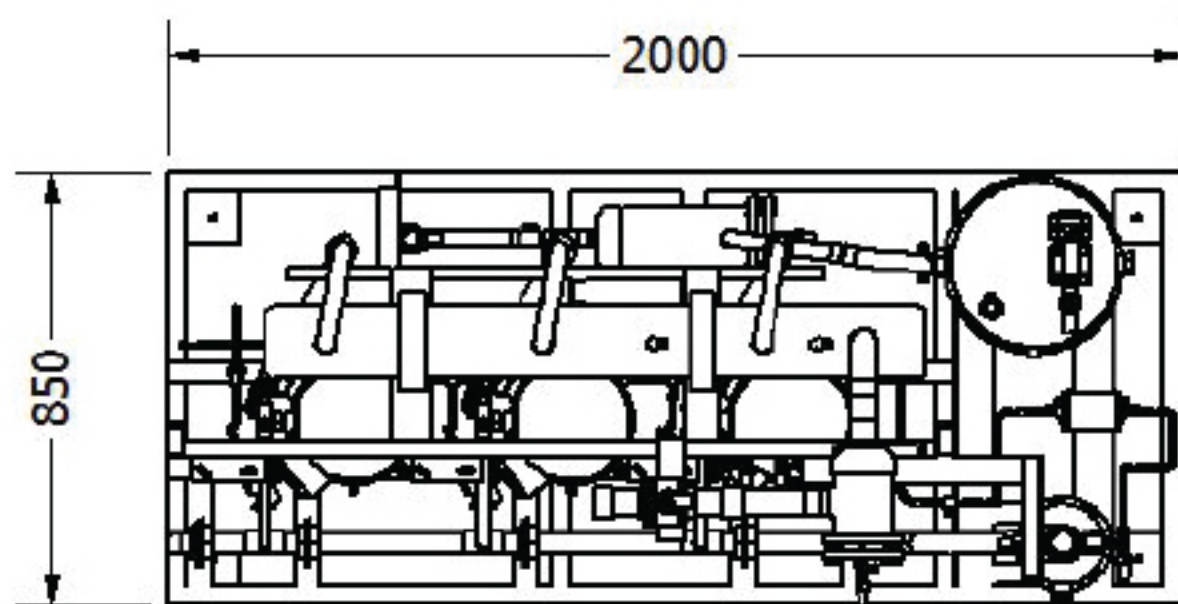
Medium temp

MODEL MULTI SET	RZBM	24	30	39	45				
COMPRESSOR TYPE		Copeland Scroll							
COMPRESSOR MODEL		ZB58KQE-TFD	ZB76KQE-TFD	ZB95KQE-TFD	ZB114KQE-TFD				
COMPRESSOR QTY.	Set	3							
COOLING CAPACITY	KW.	Condition.1 35.25	Condition.2 32.55	Condition.1 46.95	Condition.2 43.50	Condition.1 58.50	Condition.2 53.40	Condition.1 68.10	Condition.2 61.80
POWER INPUT	KW.	15.06	16.98	19.62	22.05	25.14	28.47	30.60	34.65
COP		2.34	1.92	2.39	1.97	2.33	1.88	2.23	1.78
REFRIGERANT		R407F							
RECEIVER TANK VOLUME	Ltr.	40.00	60.00	80.00					
TOTAL OIL VOLUME	Ltr.	13.00	13.60						
CONDENSER TYPE		Remote Air Cooled / Water Cooled							
CONNECTION PIPE									
MAIN LIQUID LINE	Inch	7/8"	1 1/8"						
MAIN SUCTION LINE	Inch	2 1/8"	2 5/8"						
MAIN DISCHARGE LINE	Inch	1 3/8"	1 5/8"						
CONDENSATE LINE TO RECEIVER	Inch	1 1/8"	1 3/8"						
DIMENSIONS									
W x L x H	MM.	850 x 2000 x 1580							
NET WEIGHT	KG.	342	372	372	378				

Remark : Condition.1 Design At TE/TC = -13 / +40 °C , Return Gas Temperature 18.3 °C  
 Condition.2 Design At TE/TC = -13 / +45 °C , Return Gas Temperature 18.3 °C

DIMENSIONAL DRAWING

(COMPRESSOR 3 SET)





## SCROLL COMPRESSOR RACK (Multi Sets)

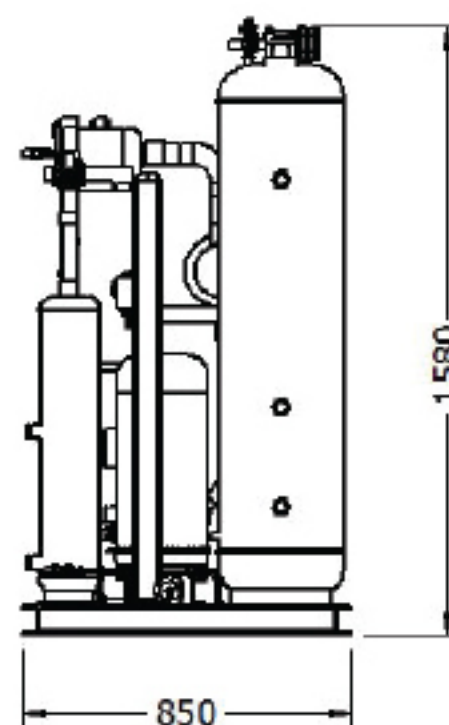
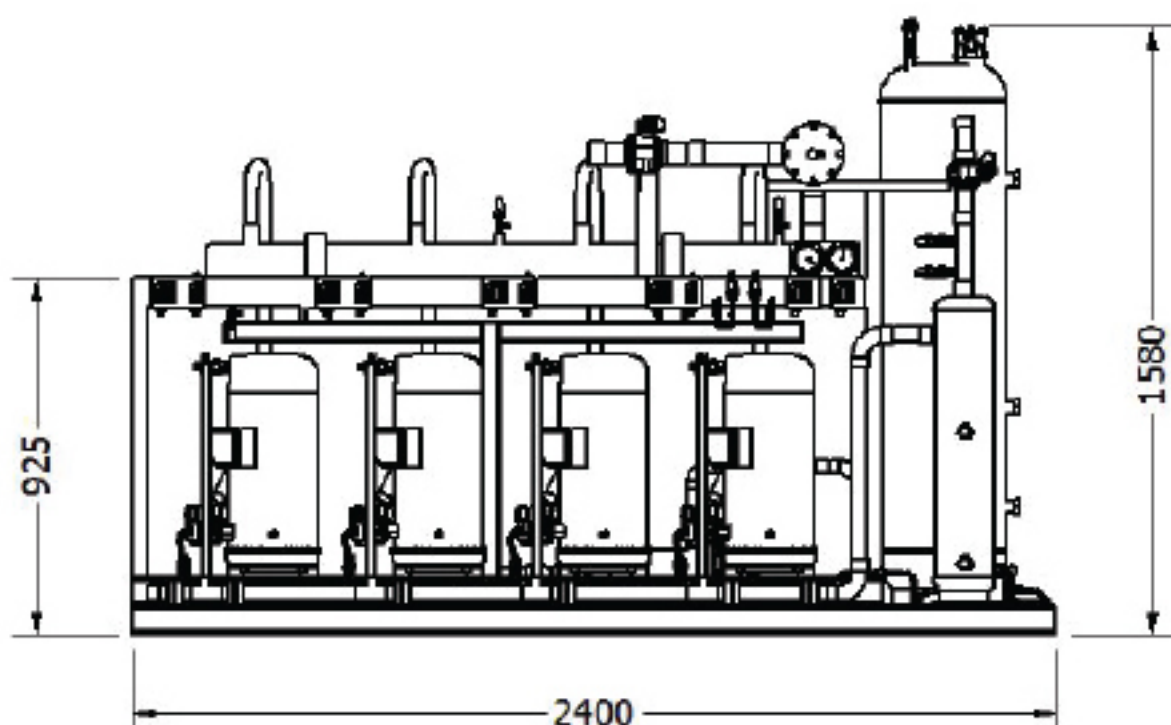
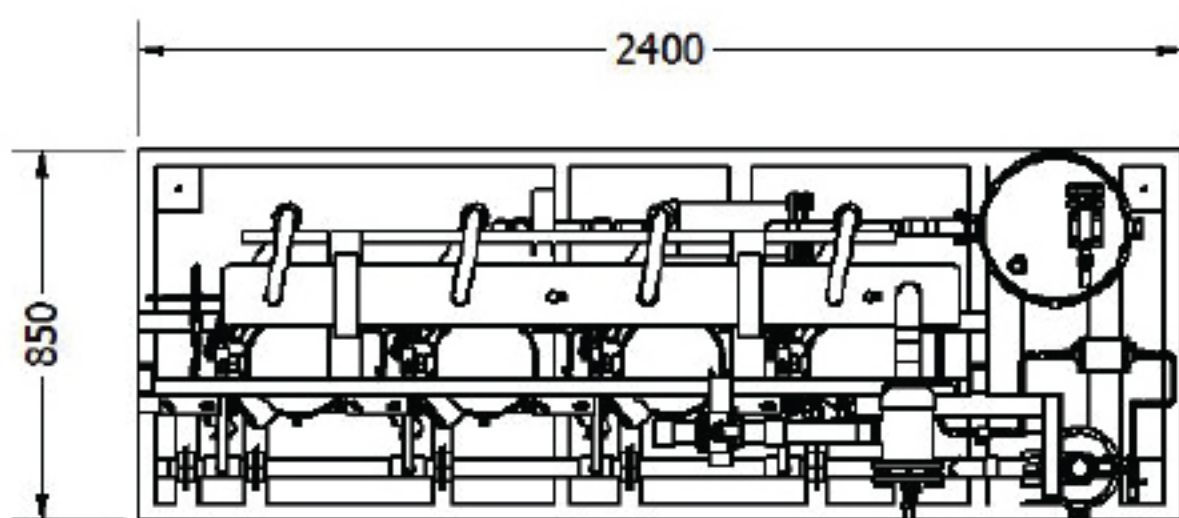
Medium temp

MODEL MULTI SET	RZBM	40		52		60	
COMPRESSOR TYPE		Copeland Scroll					
COMPRESSOR MODEL		ZB76KQE-TFD		ZB95KQE-TFD		ZB114KQE-TFD	
COMPRESSOR QTY.	Set	4					
		Condition.1	Condition.2	Condition.1	Condition.2	Condition.1	Condition.2
COOLING CAPACITY	KW.	62.60	58.00	78.00	71.20	90.80	82.40
POWER INPUT	KW.	26.16	29.40	33.52	37.96	40.80	46.20
COP		2.39	1.97	2.33	1.88	2.23	1.78
REFRIGERANT		R407F					
RECEIVER TANK VOLUME	Ltr.	80.00		100.00		130.00	
TOTAL OIL VOLUME	Ltr.	13.60					
CONDENSER TYPE		Remote Air Cooled / Water Cooled					
CONNECTION PIPE							
MAIN LIQUID LINE	Inch	1 1/8"					
MAIN SUCTION LINE	Inch	2 5/8"				3 1/8"	
MAIN DISCHARGE LINE	Inch	1 5/8"				2 1/8"	
CONDENSATE LINE TO RECEIVER	Inch	1 3/8"			1 5/8"		
DIMENSIONS							
W x L x H	MM.	850 x 2400 x 1580					
NET WEIGHT	KG.	496		496		504	

Remark : Condition.1 Design At TE/TC = -13 / +40 °C , Return Gas Temperature 18.3 °C  
 Condition.2 Design At TE/TC = -13 / +45 °C , Return Gas Temperature 18.3 °C

### DIMENSIONAL DRAWING

(COMPRESSOR 4 SET)



SCROLL COMPRESSOR RACK (Multi Sets)

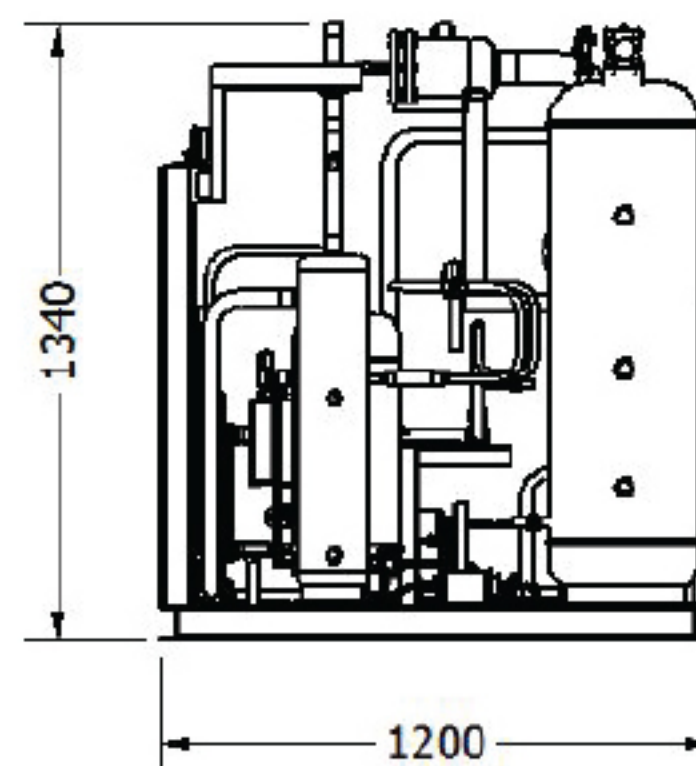
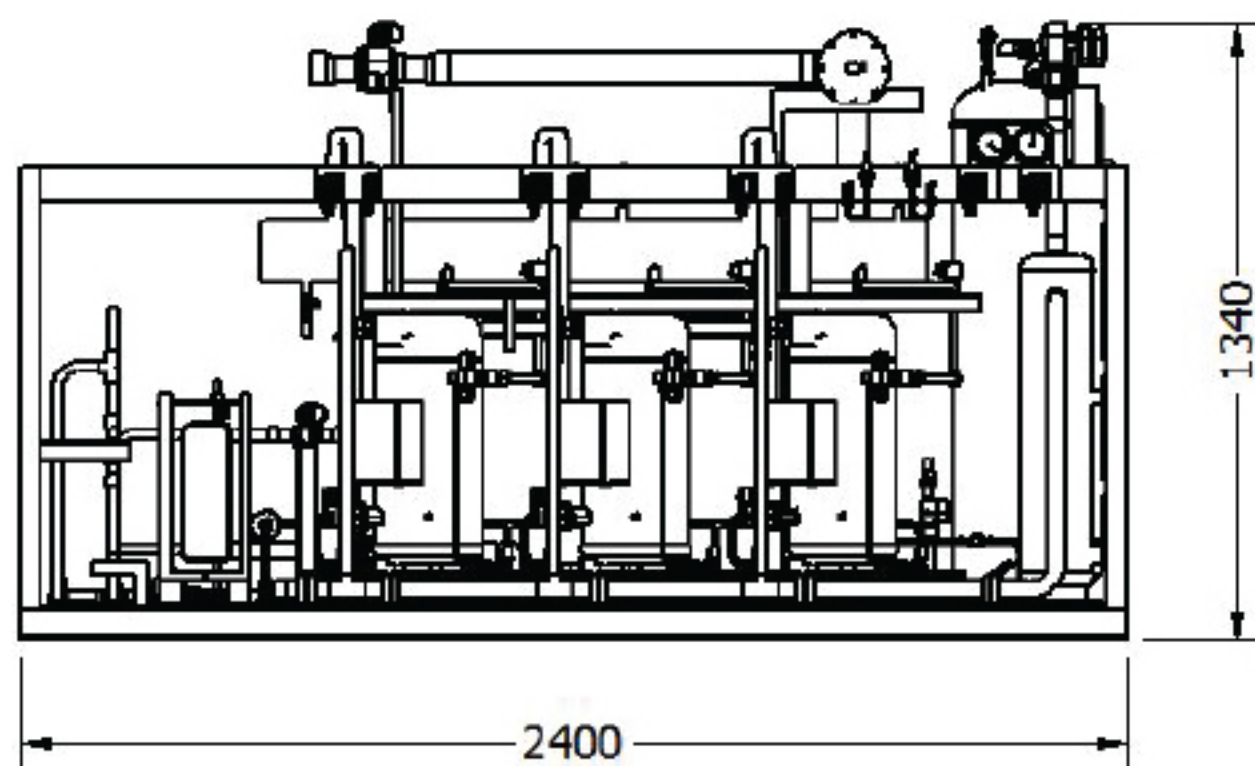
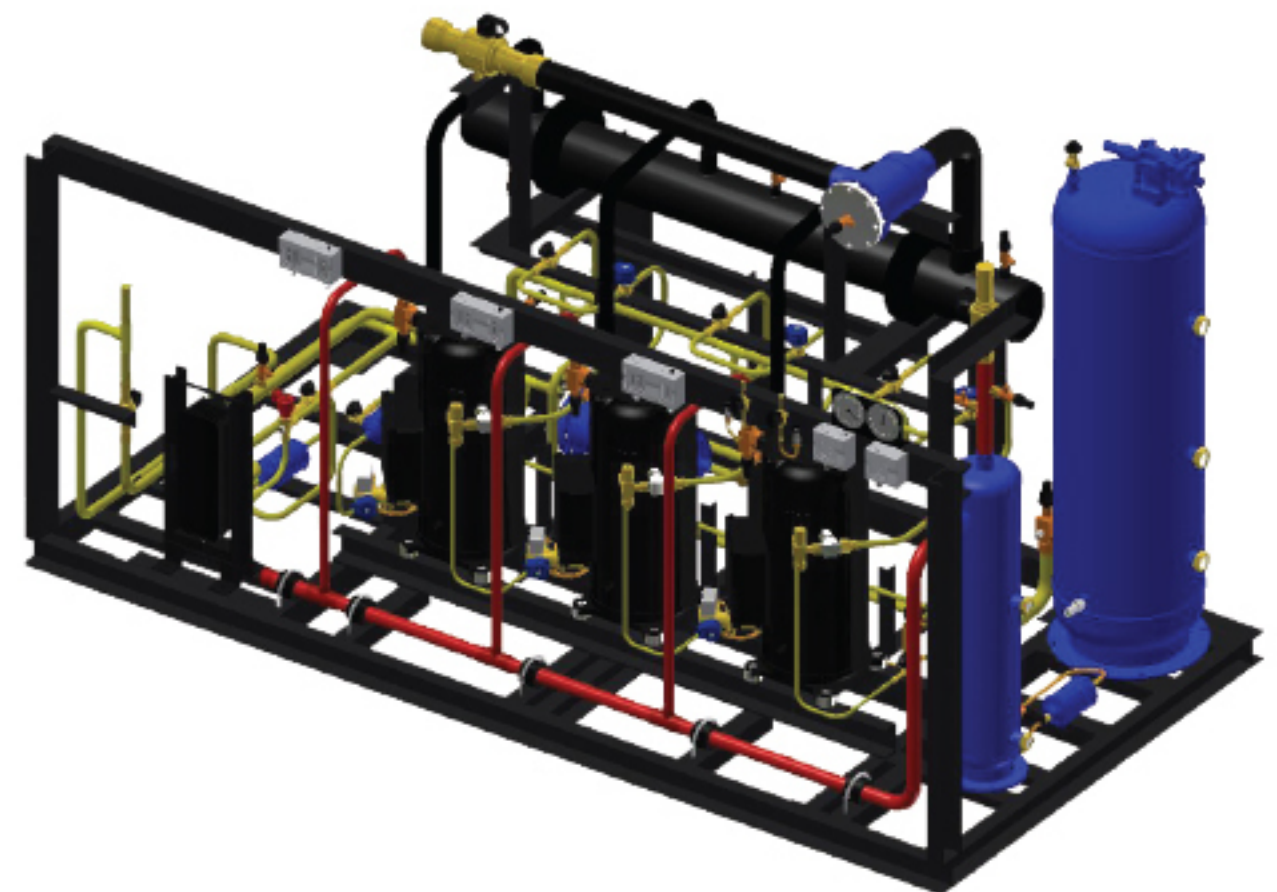
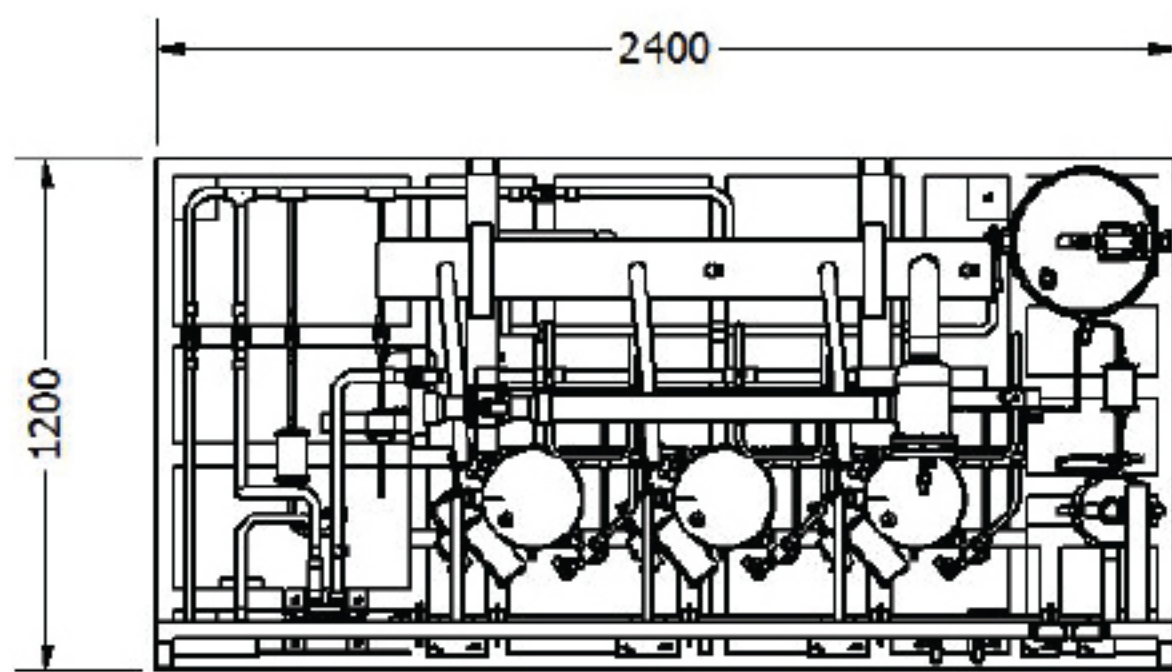
Low temp

MODEL MULTI SET	RZFIL	23		30		39		45	
COMPRESSOR TYPE		Copeland Scroll							
COMPRESSOR MODEL		ZF136KQE-TFD		ZF150KQE-TFD		ZF159KQE-TFD		ZF168KQE-TFD	
COMPRESSOR QTY.	Set	3							
COOLING CAPACITY	KW.	Condition.1	Condition.2	Condition.1	Condition.2	Condition.1	Condition.2	Condition.1	Condition.2
POWER INPUT	KW.	19.56	19.08	26.31	25.86	32.70	32.10	39.30	38.55
COP		1.58	1.37	1.69	1.47	1.69	1.47	1.70	1.48
REFRIGERANT		R407F							
RECEIVER TANK VOLUME	Ltr.	60.00		80.00				100.00	
TOTAL OIL VOLUME	Ltr.	13.00						13.60	
CONDENSER TYPE		Remote Air Cooled / Water Cooled							
CONNECTION PIPE									
MAIN LIQUID LINE	Inch	7/8"							
MAIN SUCTION LINE	Inch	2 1/8"			2 5/8"				
MAIN DISCHARGE LINE	Inch	1 3/8"						1 5/8"	
CONDENSATE LINE TO RECEIVER	Inch	1 1/8"							
DIMENSIONS									
W x L x H	MM.	1200 x 2400 x 1340							
NET WEIGHT	KG.	234		378		378		396	

Remark : Condition.1 Design At TE/TC = -35 / +40 °C , Compressor Superheat = 20 K  
 Condition.2 Design At TE/TC = -35 / +45 °C , Compressor Superheat = 20 K

DIMENSIONAL DRAWING

(COMPRESSOR 3 SET)



SCROLL COMPRESSOR RACK (Multi Sets)

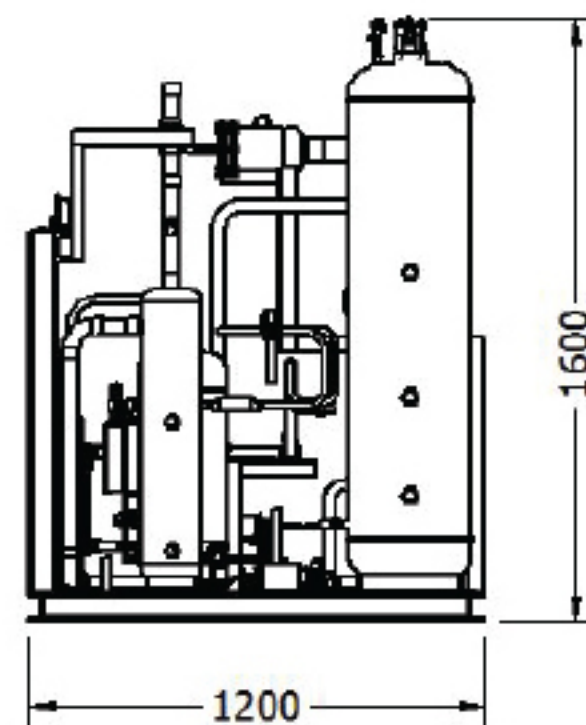
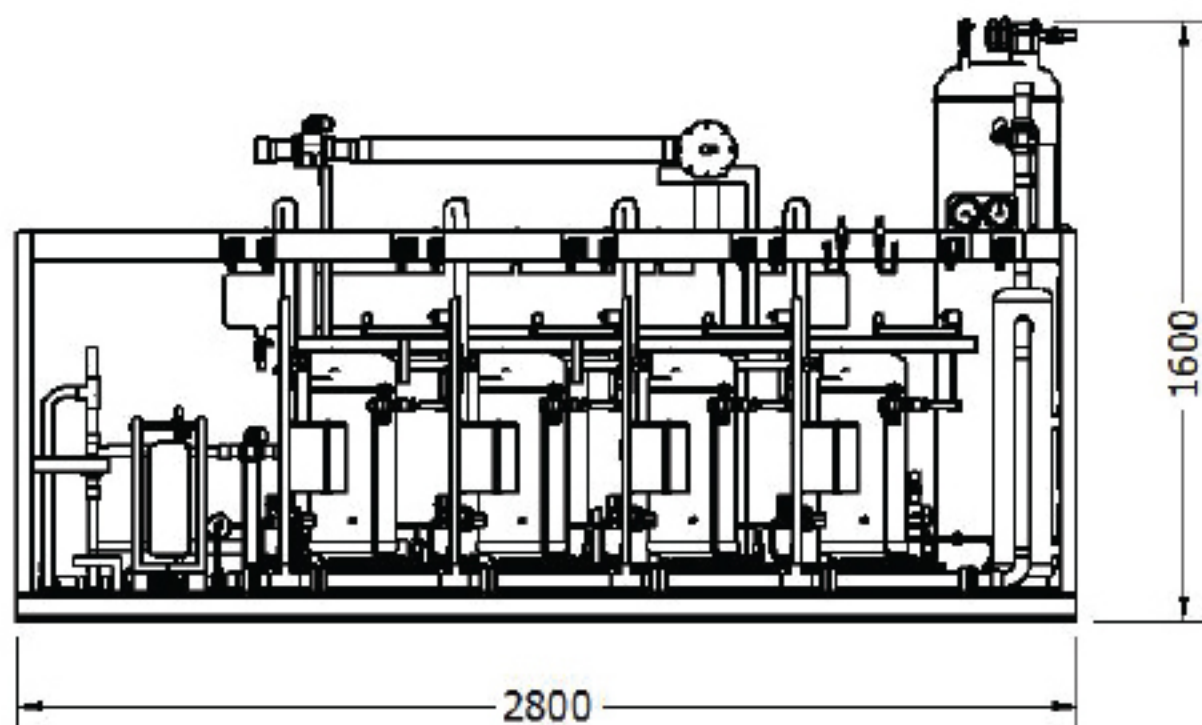
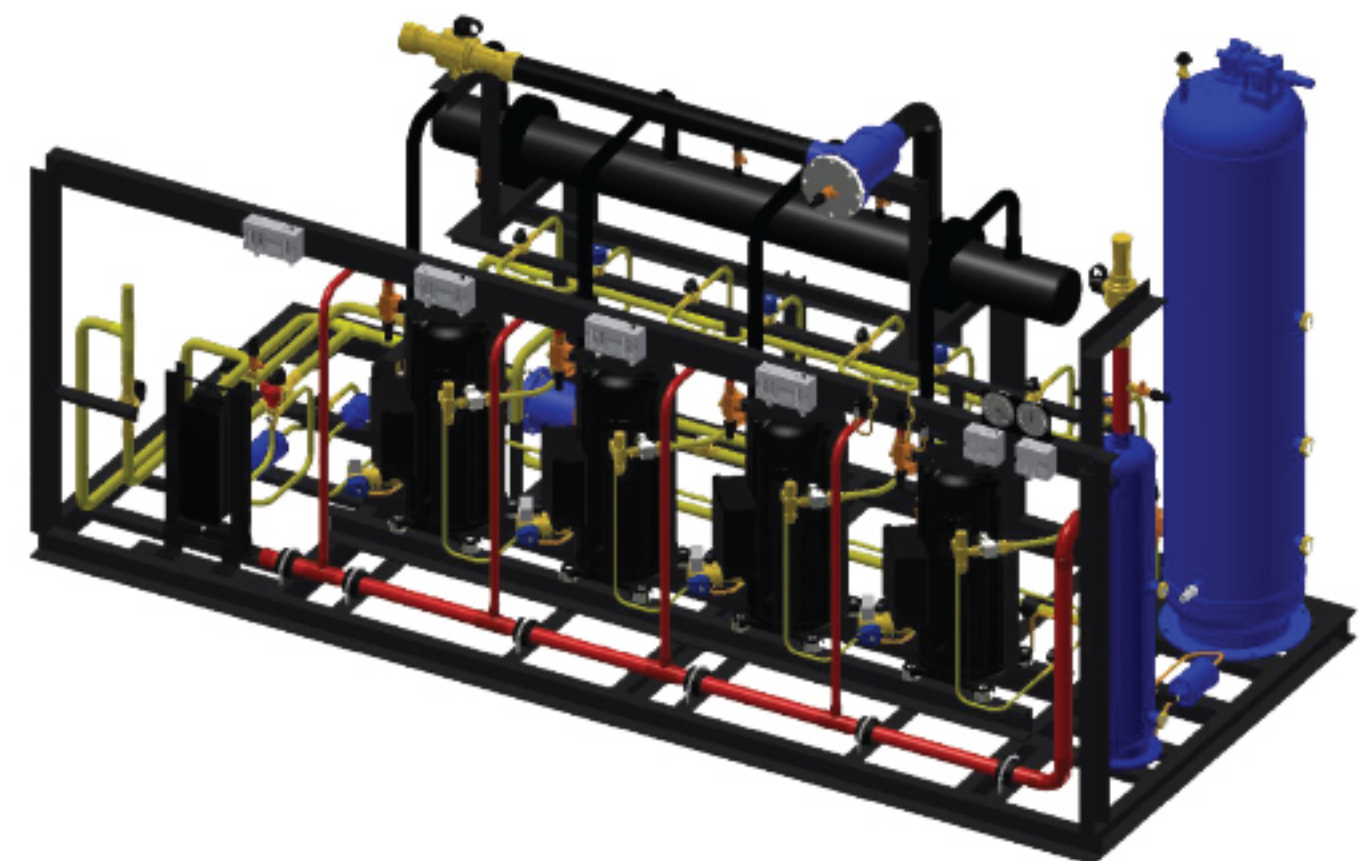
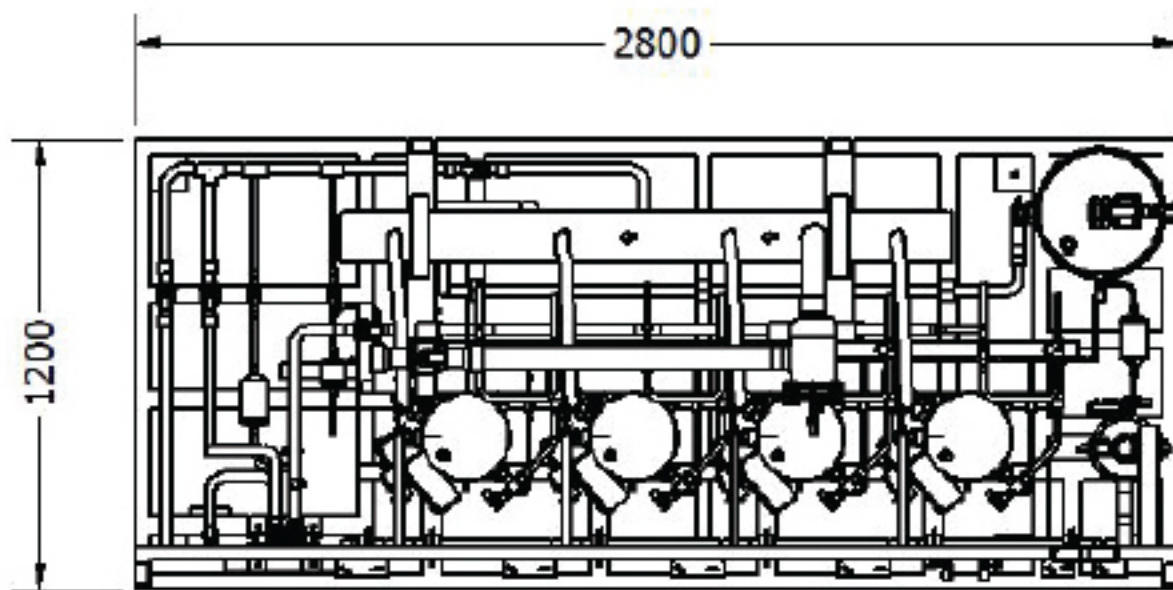
Low temp

MODEL MULTI SET	RZFIL	40		52		60	
COMPRESSOR TYPE		Copeland Scroll					
COMPRESSOR MODEL		ZFI50KQE-TFD		ZFI59KQE-TFD		ZFI68KQE-TFD	
COMPRESSOR QTY.	Set	4					
		Condition.1	Condition.2	Condition.1	Condition.2	Condition.1	Condition.2
COOLING CAPACITY	KW.	35.08	34.48	43.60	42.80	52.40	51.40
POWER INPUT	KW.	20.76	23.44	25.84	29.12	30.84	34.80
COP		1.69	1.47	1.69	1.47	1.70	1.48
REFRIGERANT		R407F					
RECEIVER TANK VOLUME	Ltr.	100.00				130.00	
TOTAL OIL VOLUME	Ltr.	13.00		13.60			
CONDENSER TYPE		Remote Air Cooled / Water Cooled					
CONNECTION PIPE							
MAIN LIQUID LINE	Inch	1 1/8"					
MAIN SUCTION LINE	Inch	2 5/8"			3 1/8"		
MAIN DISCHARGE LINE	Inch	1 3/8"			1 5/8"		
CONDENSATE LINE TO RECEIVER	Inch	1 3/8"			1 5/8"		
DIMENSIONS							
W x L x H	MM.	1200 x 2800 x 1600					
NET WEIGHT	KG.	504		504		528	

Remark : Condition.1 Design At TE/TC = -35 / +40 °C , Compressor Superheat = 20 K  
 Condition.2 Design At TE/TC = -35 / +45 °C , Compressor Superheat = 20 K

DIMENSIONAL DRAWING

(COMPRESSOR 4 SET)





# Maxcool

Sangchai Refrigeration Co.,Ltd.

88 Borommaratchachonnani Rd., Chim Phli , Taling Chan , Bangkok 10170

☎ : (+66)2-446-5656    📠 : (+66)2-446-5601

[www.sangchaigroup.com](http://www.sangchaigroup.com)

