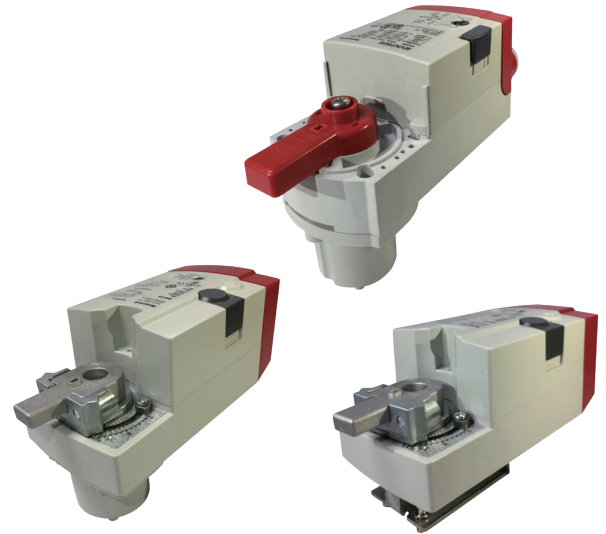


MVN SERIES BALL VALVE ACTUATOR

- Designed to be used with VBA16P and VBA16F Series Ball Valves
- Mounting bracket included and pre-installed for easy field installation
- Can connect to external auxiliary switch
- Overload protection



Technical Specification

Direction of rotation	Adjustable
Level of protection	IP54
Working conditions	operating temperature ~20~60 °C storage temperature ~30~80 °C MVN75../72../61..

Model	Torque (Nm)	Control signal	Working power supply	Control mode	Running time	Power consumption	Internal auxiliary switch	Weight (Kg)
MVN6105	5	On-Off	24Vac/dc	Floating/On-Off	90s	5VA		0.51
MVN6105-A	5	On-Off	24Vac/dc	Floating/On-Off	90s	5VA	2 pcs(fixed)	0.52
MVN4605	5	On-Off	230V ac	On-Off	65s~110s	23VA		0.51
MVN7505	5	0(2)~10V	24Vac/dc	Modulating/Floating/On-Off	110s	5VA		0.51
MVN6110	10	On-Off	24Vac/dc	Floating/On-Off	90s	5VA		0.51
MVN6110-A	10	On-Off	24Vac/dc	Floating/On-Off	90s	5VA	2 pcs (fixed)	0.52
MVN4610	10	On-Off	230V ac	On-Off	65s~110s	23VA		0.51
MVN7510	10	0(2)~10V	24Vac/dc	Modulating/Floating/On-Off	110s	5VA		0.51
MVN6120	20	On-Off	24Vac/dc	Floating/On-Off	95s~110s	8VA		1.45
MVN4620	20	On-Off	230V ac	Floating/On-Off	95s~110s	10VA		1.45
MVN7220	20	0(2)~10V	24Vac/dc	Modulating/Floating/On-Off	95s~110s	8VA		1.45
MVN6134	34	On-Off	24Vac/dc	Floating/On-Off	95s~110s	10VA		1.59
MVN4634	34	On-Off	230V ac	Floating/On-Off	95s~110s	13VA		1.59
MVN7234	34	0(2)~10V	24Vac/dc	Modulating/Floating/On-Off	95s~110s	10VA		1.59

External auxiliary switch

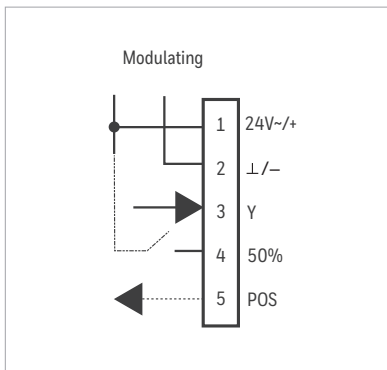
- SW2 ~ CN/SSW2 ~ CN

Parameters

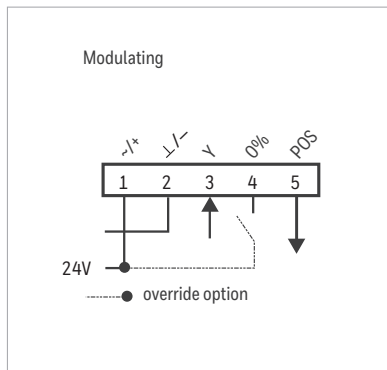
- SSW2 ~ CN: 2*SPDT, AC110V/230V, and 5A (resistive)/3A (inductive) are applied to the MVN Series 5 Nm and 10 Nm torque actuators
- SW2 ~ CN: 2*SPDT, AC110/230V, and 5A (resistive)/3A (inductive) are applied to the MVN Series 20 Nm and 34 Nm torque actuators

Wiring Diagram

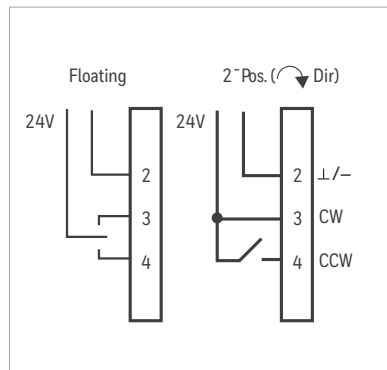
MVN7505/ MVN7510



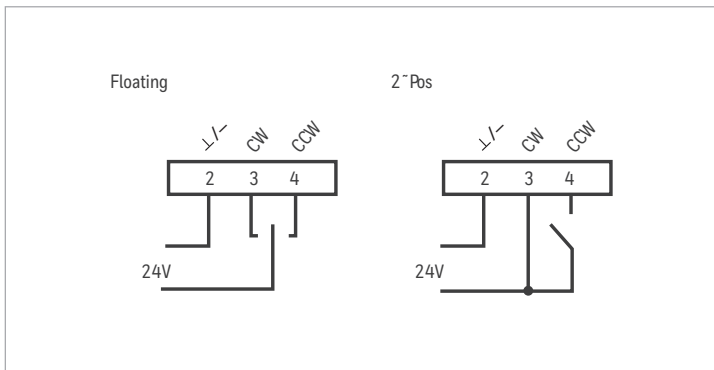
MVN7220/ MVN7234



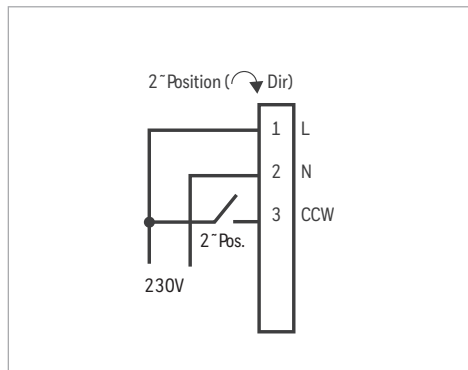
MVN6105../MVN6110..



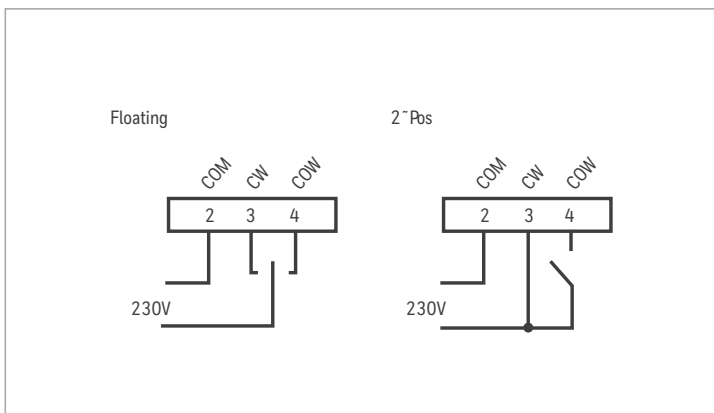
MVN6120/ MVN6134



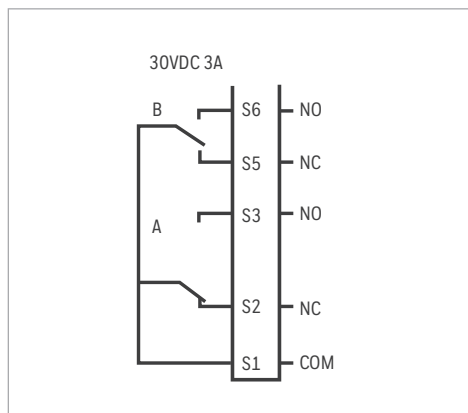
MVN4605../MVN4610..



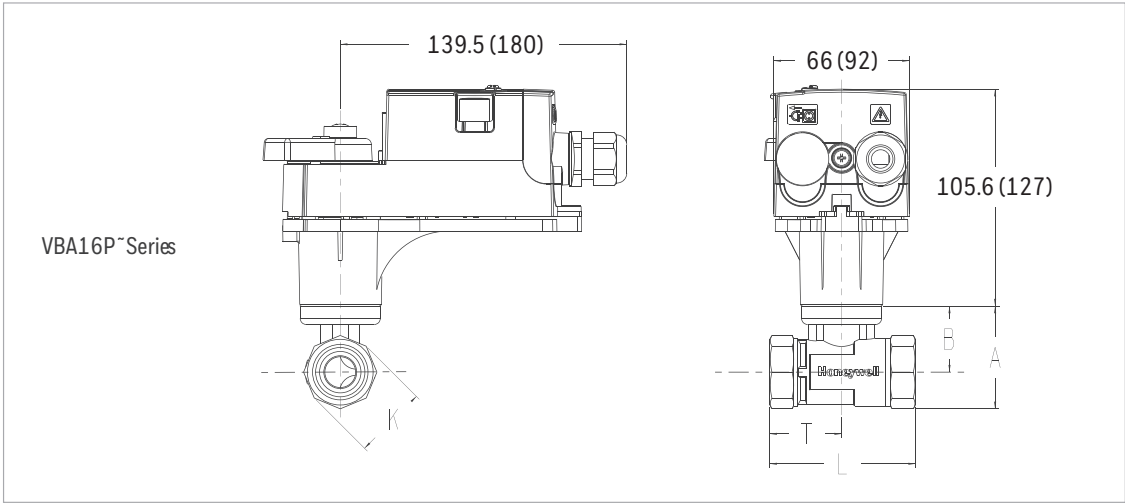
MVN4620/ MVN4634



Auxiliary switch (-A)

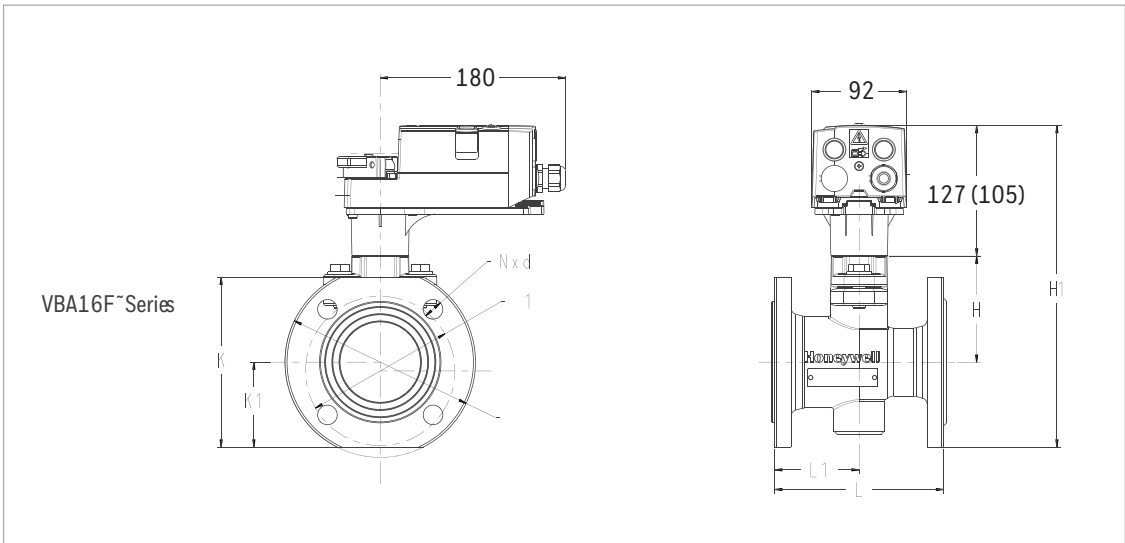


Dimensions (mm)



Description:
The numbers in brackets are the sizes of the 20Nm actuator.

Model	DN		L	T	K	B	A	Weight (Kg)
	mm	In						
VBA16P020	20	3/4	71	35.5	35.7	32.2	50	0.39
VBA16P025	25	1	78	39	45	34	56.5	0.56
VBA16P032	32	1 1/4	88	44	53	38.5	65	0.74
VBA16P040	40	1 1/2	104	52	60	49	79	1.18
VBA16P050	50	2	120	60	75	52.5	90	1.96
VBA16P065	65	2 1/2	115	63.5	91.5	63.8	109.5	2.08
VBA16P080	80	3	130	85	107	73	126.5	3.19



Description:
The numbers in brackets are the sizes of the 34Nm actuator.

Model	DN		L	L1	k	K1	D	D1	H	H1	N* Ø E	Weight (Kg)
	mm	In										
VBA16F065	65	2 ½	170	85	165	82.5	185	145	103	312.5	4*19	11
VBA16F080	80	3	180	90	182	91	200	160	118	336	8*19	12.5
VBA16F100	100	4	190	95	200	100	220	180	130	357	8*19	15.5
VBA16F125	125	5	200	120	230	115	250	210	145	365	8*19	20.5
VBA16F150	150	6	210	130	265	132.5	285	240	163	400.5	8*23	26

For more information,

<https://honeywellbuildings.in>

Call: 1-800-103-0339

Email: HBT-Indiabuildings@honeywell.com

Honeywell HBT India Buildings

Unitech Trade Center, 5th Floor, Sector-43,
Block C, Sushant Lok Phase - I,
Gurgaon - 122 002

www.honeywell.com

© 2020 Honeywell International Inc.

MVN SERIES
BALL VALVE ACTUATOR

Honeywell