

SAGE2 Series

For cabinets, furniture, display shelves, showcases, etc.

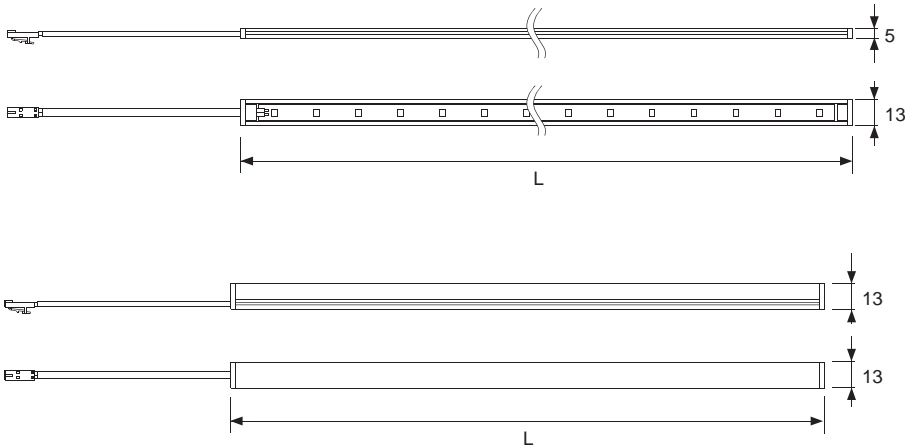


Contains a unique configuration of diffusers that evenly distribute the light, thus optimizing performance significantly and making anti-glare effects more efficient. Superior stylish appearance: concise and delicate, enable to meet the high standards of different lighting applications.

Key features :

- Luminous Flux: 220/440/550/660/770/880 lm@840(SAGE2-L14/35/49/56/63-24V)
330/660/825/990/1100/1320 lm@840(SAGE2-L35/70/84/98/112/126-24V-1)
- Luminaire efficacy: 100/110 lm/W@840
- Ra (R9) typ.: 83
- CCT: 3000K, 4000K, 5000K
- Life time: 50000h (L70, B50, Ta=25°C, 12hours/Day)
- Luminaire input power: 2/4/5/6/7/8/3/6/7.5/9/10/12W
- Dimensions: 300/570/750/870/970/1140/ X 13 X5mm, 300/570/750/870/970/1140/ X 13 X13mm
- Weight: 41/65/82/90/100/115/49/79/97/102/117/138g
- Impact resistance: IK02
- Protection class: IP20

Dimensions: (mm)



Length: (mm)

SAGE2-L14-24V	300
SAGE2-L35-24V	570
SAGE2-L42-24V	750
SAGE2-L49-24V	870
SAGE2-L56-24V	970
SAGE2-L63-24V	1140

Length: (mm)

SAGE2-L35-24V-1	300
SAGE2-L70-24V-1	570
SAGE2-L84-24V-1	750
SAGE2-L98-24V-1	870
SAGE2-L112-24V-1	970
SAGE2-L126-24V-1	1140

Specifications:

Order No.	Model	Input Voltage ^[1] (V)	frequency (HZ)	Power Factor ^[2]	power ^[1] (W)	CC ^[3] (K)	Ra ^[4] (Typ.)	Beam Angle ^[5]	Luminous Flux ^[6] (lm)	Luminaire efficacy ^[7] (lm/w)
	SAGE2-L14-24V	24	-	1	2W	3000K	83	110°	200	100
						4000K			220	110
						5000K			220	110
	SAGE2-L35-24V	24	-	1	4W	3000K	83	110°	400	100
						4000K			440	110
						5000K			440	110
	SAGE2-L42-24V	24	-	1	5W	3000K	83	110°	500	100
						4000K			550	110
						5000K			550	110
	SAGE2-L49-24V	24	-	1	6W	3000K	83	110°	600	100
						4000K			660	110
						5000K			660	110
	SAGE2-L56-24V	24	-	1	7W	3000K	83	110°	700	100
						4000K			770	110
						5000K			770	110
	SAGE2-L63-24V	24	-	1	8W	3000K	83	110°	800	100
						4000K			880	110
						5000K			880	110
	SAGE2-L35-24V-1	24	-	1	3W	3000K	83	110°	300	100
						4000K			330	110
						5000K			330	110
	SAGE2-L70-24V-1	24	-	1	6W	3000K	83	110°	600	100
						4000K			660	110
						5000K			660	110
	SAGE2-L84-24V-1	24	-	1	7.5W	3000K	83	110°	750	100
						4000K			825	110
						5000K			825	110
	SAGE2-L98-24V-1	24	-	1	9W	3000K	83	110°	900	100
						4000K			990	110
						5000K			990	110
	SAGE2-L112-24V-1	24	-	1	10W	3000K	83	110°	1000	100
						4000K			1100	110
						5000K			1100	110
	SAGE2-L126-24V-1	24	-	1	12W	3000K	83	110°	1200	100
						4000K			1320	110
						5000K			1320	110

Specifications:

Model	LED power supply	Color	IP code	ta(C)	Dimmable	Dimming	Lighting control unit	Controlling	Max.Linkable (PCS) ^[8]	Weight (g)
SAGE2-L14-24V	SLT15-24VF-Es	Silver	IP20	-20~35	False	-	False	-	-	41
SAGE2-L35-24V	SLT15-24VF-Es	Silver	IP20	-20~35	False	-	False	-	-	65
SAGE2-L42-24V	SLT15-24VF-Es	Silver	IP20	-20~35	False	-	False	-	-	82
SAGE2-L49-24V	SLT15-24VF-Es	Silver	IP20	-20~35	False	-	False	-	-	90
SAGE2-L56-24V	SLT15-24VF-Es	Silver	IP20	-20~35	False	-	False	-	-	100
SAGE2-L63-24V	SLT15-24VF-Es	Silver	IP20	-20~35	False	-	False	-	-	115
SAGE2-L35-24V-1	SLT15-24VF-Es	Silver	IP20	-20~35	False	-	False	-	-	49
SAGE2-L70-24V-1	SLT15-24VF-Es	Silver	IP20	-20~35	False	-	False	-	-	79
SAGE2-L84-24V-1	SLT15-24VF-Es	Silver	IP20	-20~35	False	-	False	-	-	97
SAGE2-L98-24V-1	SLT15-24VF-Es	Silver	IP20	-20~35	False	-	False	-	-	102
SAGE2-L112-24V-1	SLT15-24VF-Es	Silver	IP20	-20~35	False	-	False	-	-	117
SAGE2-L126-24V-1	SLT15-24VF-Es	Silver	IP20	-20~35	False	-	False	-	-	138

[1]: Measurement precision for input voltage/current /power +/- 10%.

[2]: Minimum power factor is rated value - 0.05.

[3]: Comply with ANSI C78.377

[4]: Minimum Ra(TYP.) is rated value - 2.

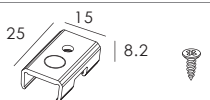
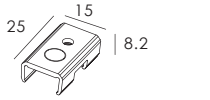
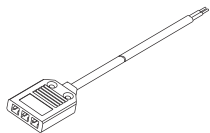
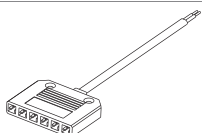
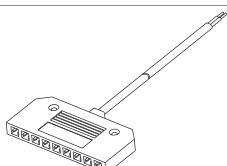
[5]: Beam angle $\leq 20^\circ$, measurement precision +/- 20%; beam angle $> 20^\circ$, measurement precision +/- 15 %.

[6]: Minimum Luminous flux is 90% of rated value.

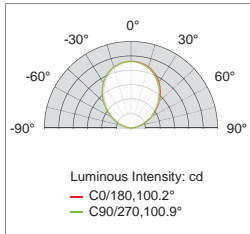
[7]: Minimum Luminaire efficacy is 90% of rated value.

[8]: Based on: grand total of luminaires Power should not exceed 80% of rated power output of LED power supply.

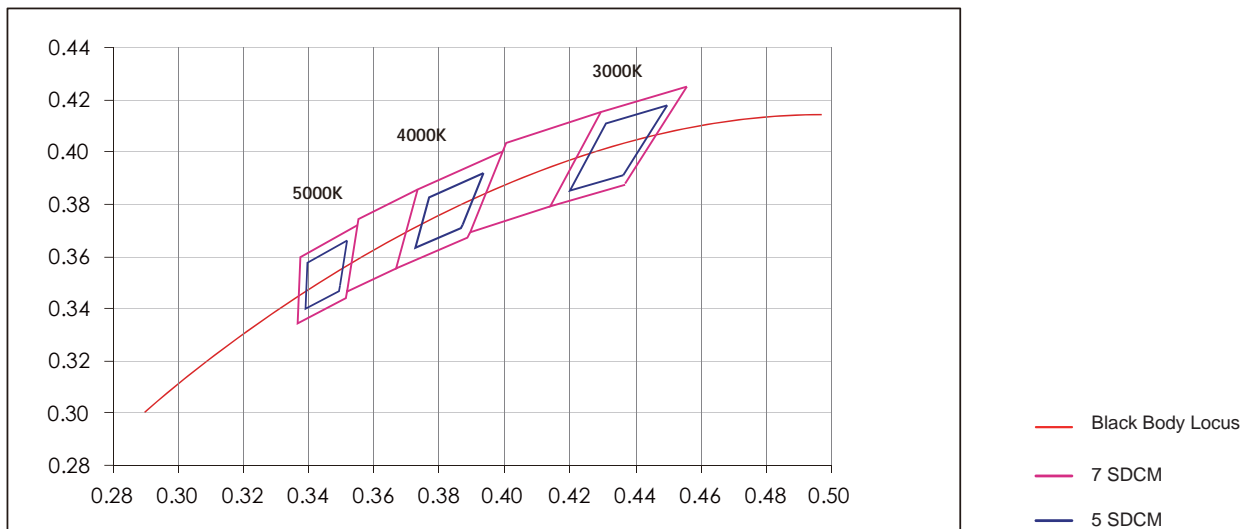
Accessories:

Order No.	Description	Length(mm)	Weight(g)
1763-070324-1000	 Surface mounting clip X2	-	1
1763-070325-1000	 Magnet mounting clip X2	-	1
542-0101895-1000	3 way distributor  Cable: 2x0.75mm ²	180	13.5
542-01012305-1030	6 way distributor  Cable: 2x0.75mm ²	230	20.5
542-0101895-1010	9 way distributor  Cable: 2x0.75mm ²	180	25

Photometrics:



Color Bin Definition



Chromaticity tolerance (initial MacAdam): 5 SDCM

Color coordinates (CIEx, CIEy): 3000K(0.422,0.386),4000K(0.374,0.364)

Measurement precision for x ,y +/- 0.005

Certification and Safety:



Protection class: IP20
Dimmable

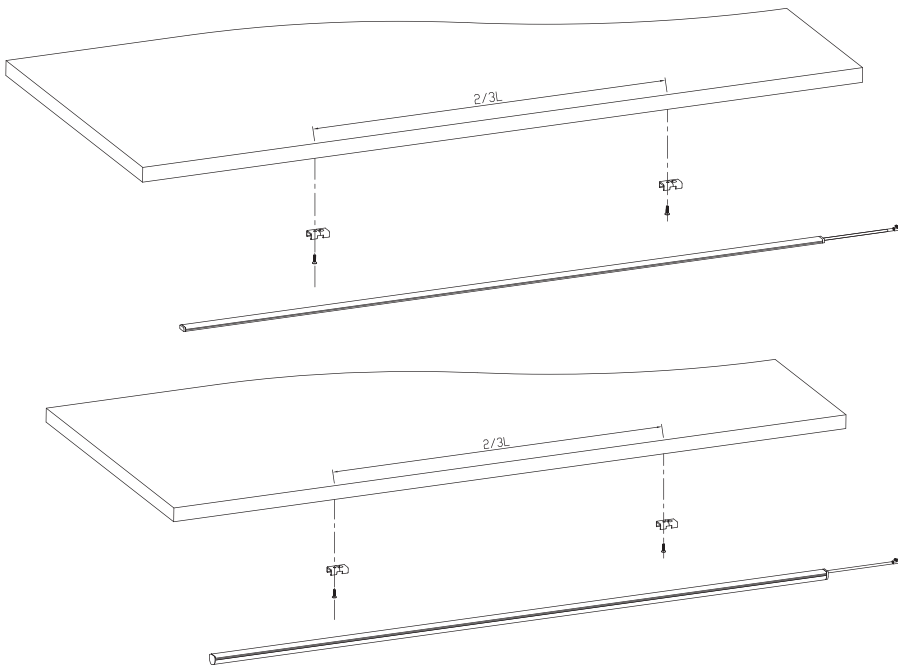
Standards:

EN60598-1, EN62031,EN62471, EN55015

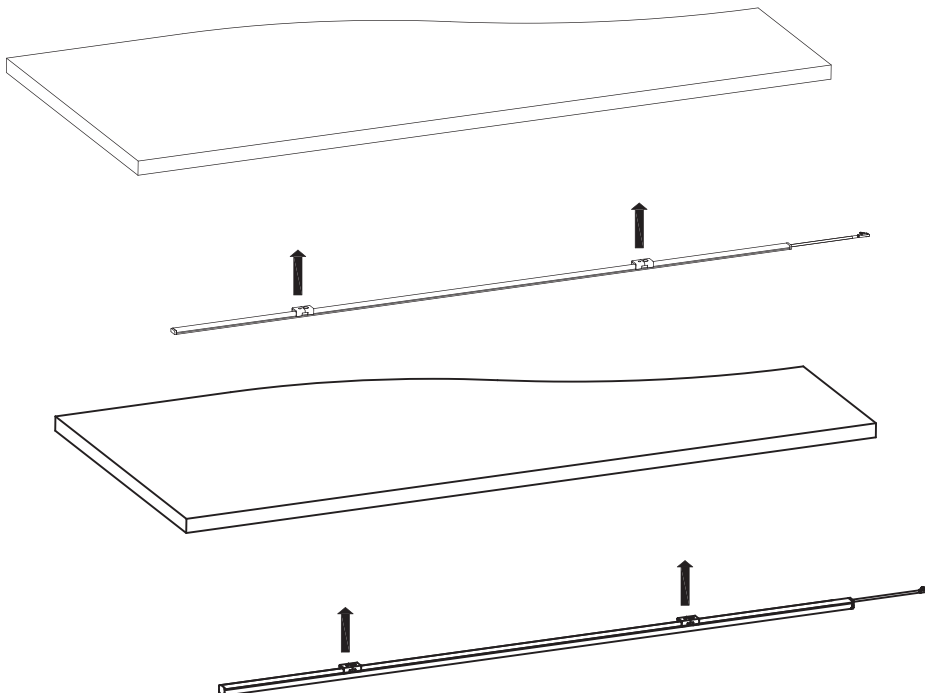


Installation:

Wood panel installation



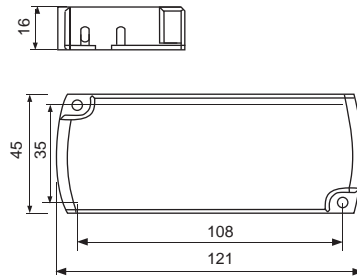
Iron panel installation.



LED Power Supply



Dimensions:(mm)



Characteristics

Model No.	Input	λ	Constant output voltage	Load	t_a	t_c	L x W x H	Approval
SLT15-24VF-Es	AC220-240V	0.70C	DC24V	0-15W	-20-45°C	80°C	121x45x16mm	CE Intertek CCC

Sales & Technical Support

SELF Electronics Germany GmbH
 August-Horch-Str. 7, 51149 Cologne
 Phone: +492203-18501-0
 Fax: 492203-18501-199
 E-mail: saleseu@self-electronics.com

SELF Electronics Co.,Ltd.(Headquarters)
 Add: No. 1345 JuXian Road, Ningbo Hi Tech Park, Ningbo, China 315103
 Phone: +86-574-2880-5765, +86-574-2880-5658 (for English assistance)
 +86-574-2880-5678 (for Chinese assistance)
 Fax: +86-574-28805656
 E-mail: sales@self-electronics.com
<http://www.self-electronics.com>

SELF Electronics USA Corporation
 3264 Saturn Ct, Peachtree Corners, GA 30092
 Phone: +1-770-248-9023
 Fax: +1-770-248-9028
 E-mail: salesus@self-electronics.com

* Due to continuous improvements and innovations, specifications may change without notice.