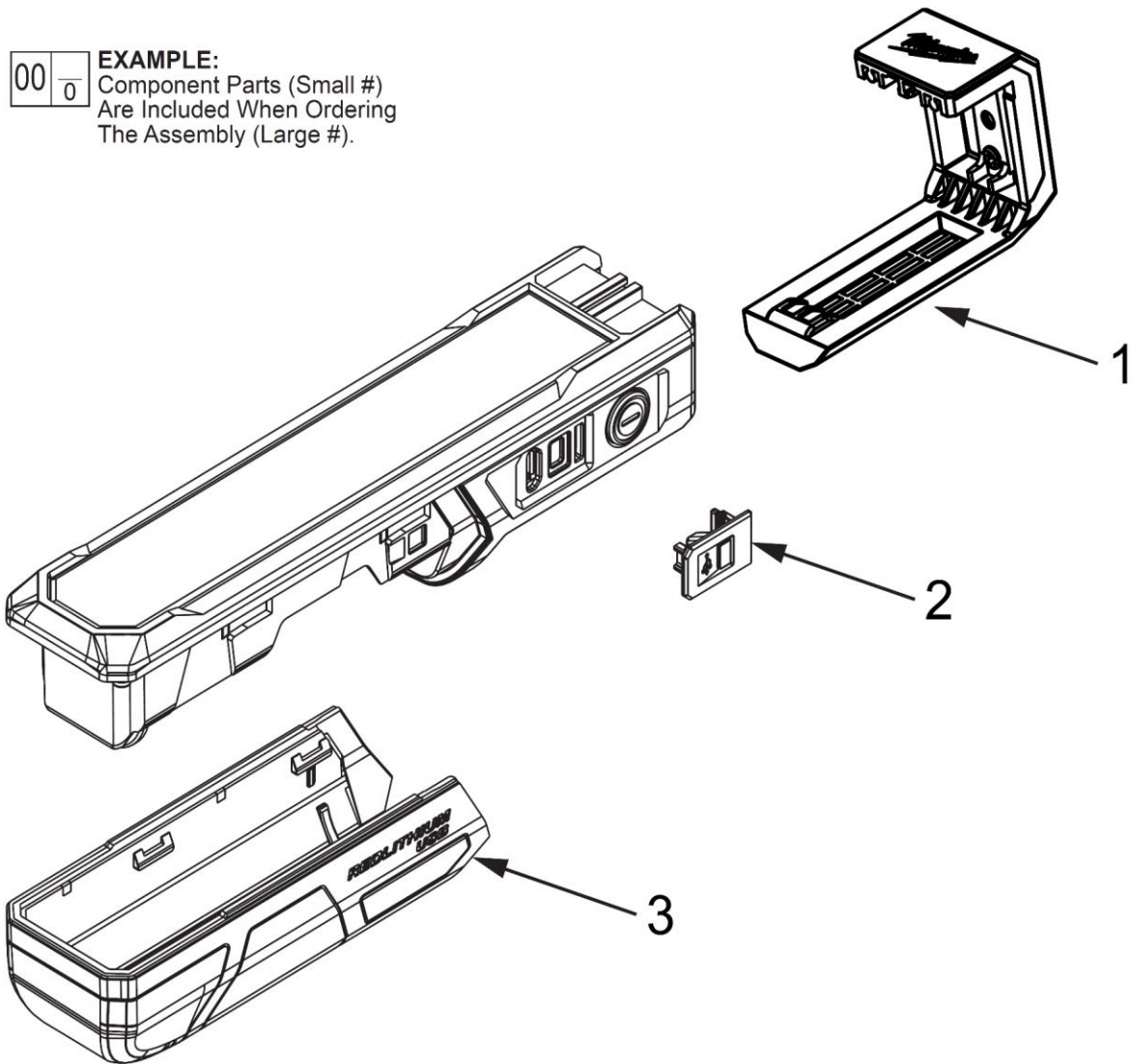


00 0

EXAMPLE:
Component Parts (Small #)
Are Included When Ordering
The Assembly (Large #).



	<h1>L4 FL</h1> <p>SERVICE PARTS LIST</p>	Bulletin Date: <h2>Jan-18</h2>
	<p>TTI Model Number: 018 257 005</p> <p>REDLITHIUM USB PERSONAL FLOOD LIGHT</p>	Starting Serial Number: <p>VERSION A - K2017</p>

ITEM	PART NUMBER	PART DISCRIPTION	QTY (PCS)
1	016079002001	MAGNET CLIP	1
2	016079001003	USB COVER	1
3	016079001002	BATTERY COVER	1