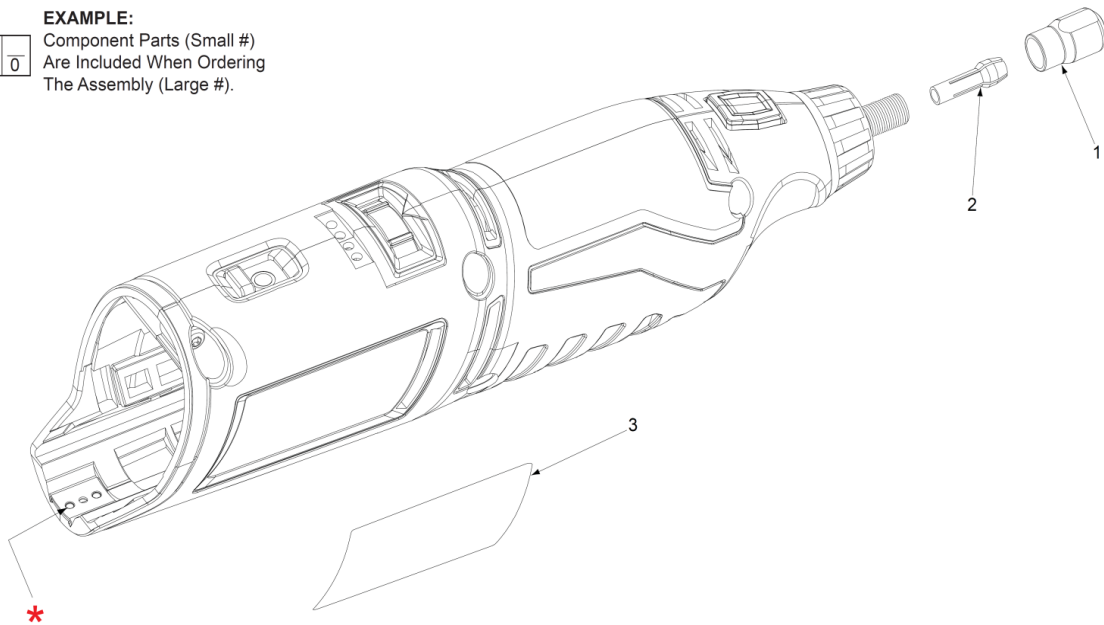


EXAMPLE:
Component Parts (Small #)
Are Included When Ordering
The Assembly (Large #).



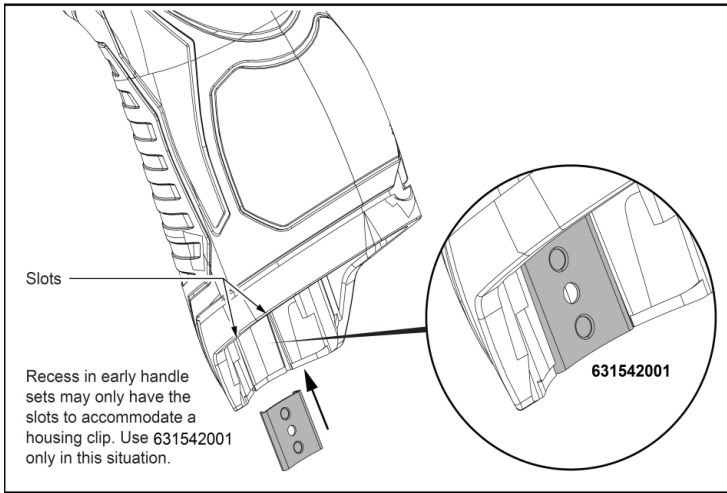
Original Design 631542001		631542003 Improved Design	
------------------------------	--	------------------------------	--

M12™ tools utilize two different Housing Connection Clip designs depending on the Handle Set. See page two for details.

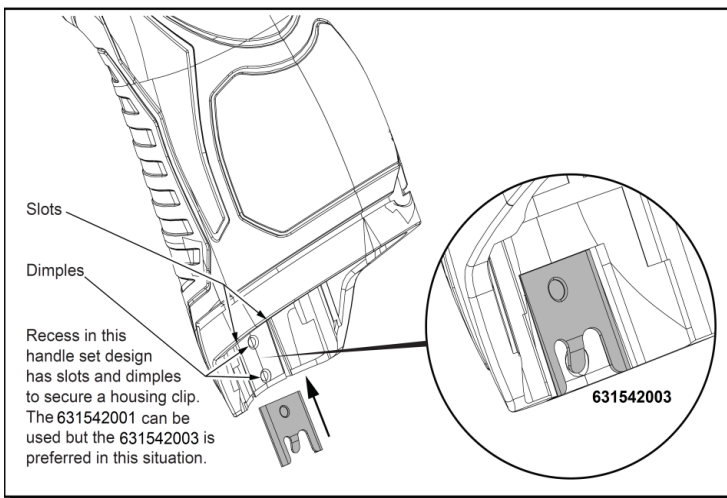
FIG. NOTES
3,5 A clean, dry surface is essential for proper performance for any adhesive system. The area intended for application of any adhesive label or nameplate must be prepared by cleaning with isopropyl alcohol. The solvent is to be applied with a clean, lint free applicator and the surface allowed to dry before applying the label or name plate.

	<h1>C12 RT</h1> <p>SERVICE PARTS LIST</p>	Bulletin Date: <h2>May-18</h2>
	<p>TTI Model Number: 018 042 020</p> <p>M12™ SUB COMPACT ROTARY TOOL</p>	<p>Starting Serial Number:</p> <p>VERSION A - A2017</p>

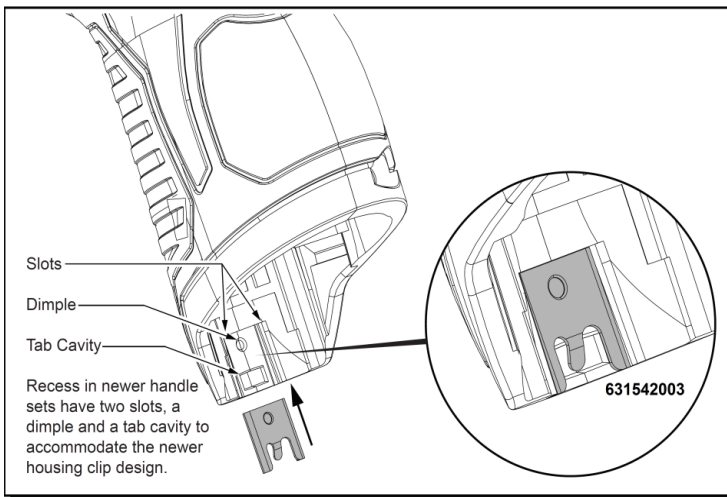
ITEM	PART NUMBER	PART DISCRIPTION	QTY (PCS)
1	692619001	COLLET NUT	1
2	692620001	1/8" COLLET	1
3	941048107	SERVICE NAMEPLATE	1
5	941048123	WARNING LABEL (NOT SHOWN)	1
6	692640001	COLLET NUT WRENCH (NOT SHOWN)	1



Early M12™ Handle Sets utilize **Housing Connection Clip No. 631542001**. Install this clip design by aligning the side rails of the clip with the two slots in the handle set. Gently push into place with the aid of a small flat blade screwdriver or a similar instrument. Be sure that the clip is properly seated in both slots and that the clip is flush to sub-flush to the end of the handle set. To remove the clip, use the same small flat blade screwdriver or a similar instrument and push the clip out of the handle set. If the clip is loose or will not stay in place, a needle nose pliers can be used to gently bend/pinch the side rails of the clip. If the clip is damaged do not use, replace with a new 631542001 housing clip.



Updated M12™ Handle Sets utilize **Housing Connection Clips No. 631542001 and 631542003**. (The 631542003 is a preferred upgrade). Install this clip design by aligning the side rails of the clip with the two slots in the handle set. Gently push into place with the aid of a small flat blade screwdriver or a similar instrument. Be sure that the clip is properly seated in both slots and that the tab of the clip snaps down in the round dimpled cavity of the handle set. Be sure that the clip is flush to sub-flush to the end of the handle set. To remove the clip, use the same small flat blade screwdriver or a similar instrument and lift up on the clip tab while pushing the clip out of the handle set. Use a needle nose pliers to gently rebend the clip tab if necessary. If the tab on the clip is damaged during this process and is loose or will not stay in place, replace with a new 631542003 clip.



Newer M12™ Handle Sets utilize **Housing Connection Clip No. 631542003**. Install this clip design by aligning the side rails of the clip with the two slots in the handle set. Gently push into place with the aid of a small flat blade screwdriver or a similar instrument. Be sure that the clip is properly seated in both slots and that the tab of the clip snaps down in the rectangular cavity of the handle set. Be sure that the clip is flush to sub-flush to the end of the handle set. To remove the clip, use the same small flat blade screwdriver or a similar instrument and lift the clip tab out of the cavity while pushing the clip out of the handle set. Use a needle nose pliers to gently rebend the clip tab if necessary. If the tab on the clip is damaged during this process and is loose or will not stay in place, replace with a new 631542003 clip.