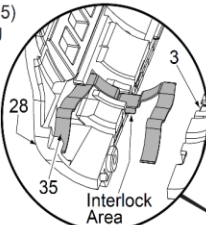
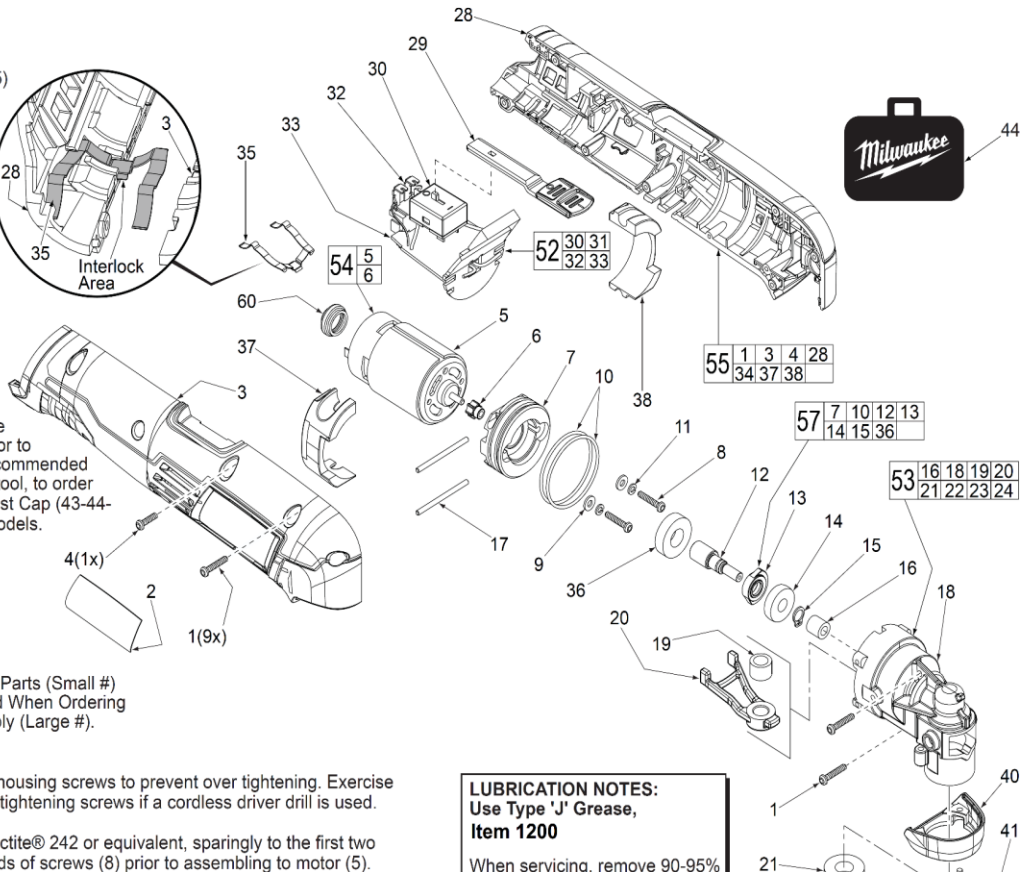


Install spring clip (35) into the left housing half (28) prior to installing right housing half (3).
NOTE: Right spring interlock must match that of the left housing half prior to tightening housing screws (1 and 4).



NOTE: Production of this model did not have Dust Cap (60) on the rear of the motor prior to March 2016. It is recommended when servicing this tool, to order and install a new Dust Cap (43-44-1500) on all early models.



EXAMPLE:
Component Parts (Small #) Are Included When Ordering The Assembly (Large #).

FIG. NOTES

- 1,4 Hand tighten housing screws to prevent over tightening. Exercise caution when tightening screws if a cordless driver drill is used.
- 5,8 Apply Blue Loctite® 242 or equivalent, sparingly to the first two or three threads of screws (8) prior to assembling to motor (5).

LUBRICATION NOTES:
Use Type 'J' Grease, Item 1200

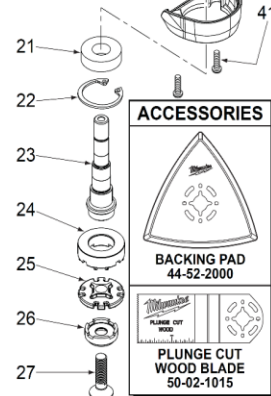
When servicing, remove 90-95% of the existing grease prior to installing Type 'J'. Original grease maybe similar in color but not compatible with 'J'.

Apply a heavy coating of grease to Motor Pinion (6) and Spline Shaft (12). Approx. 0.5g

Place a heavy coating of grease in and around the open Ball Bearing (36). Approx. 1g

Fill back cavity of Gearcase (18) with approx. 3.5g of grease.

Total of 5.0g (.17oz.)





C12 MT

SERVICE PARTS LIST

Bulletin Date:

Feb-18

TTI Model Number: 018 054 025, 039, 042

Starting Serial Number:

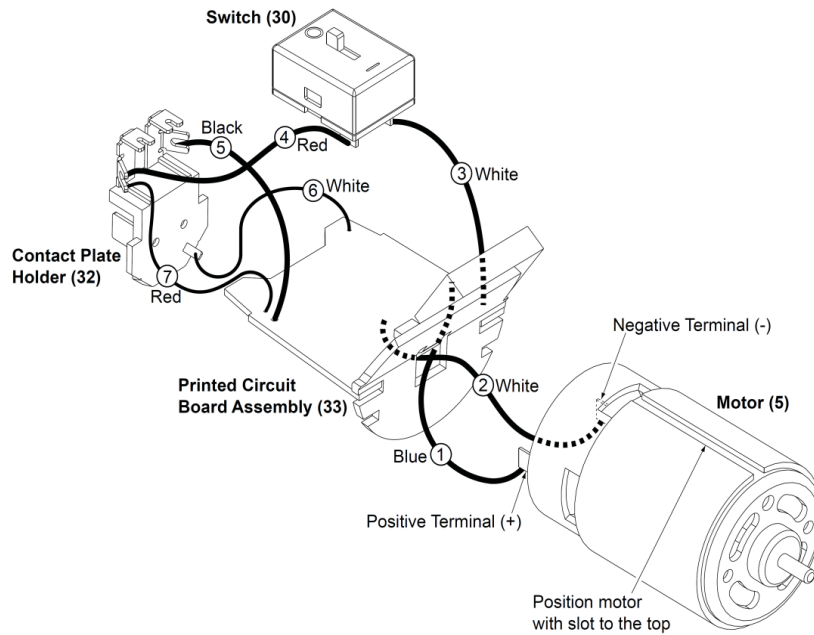
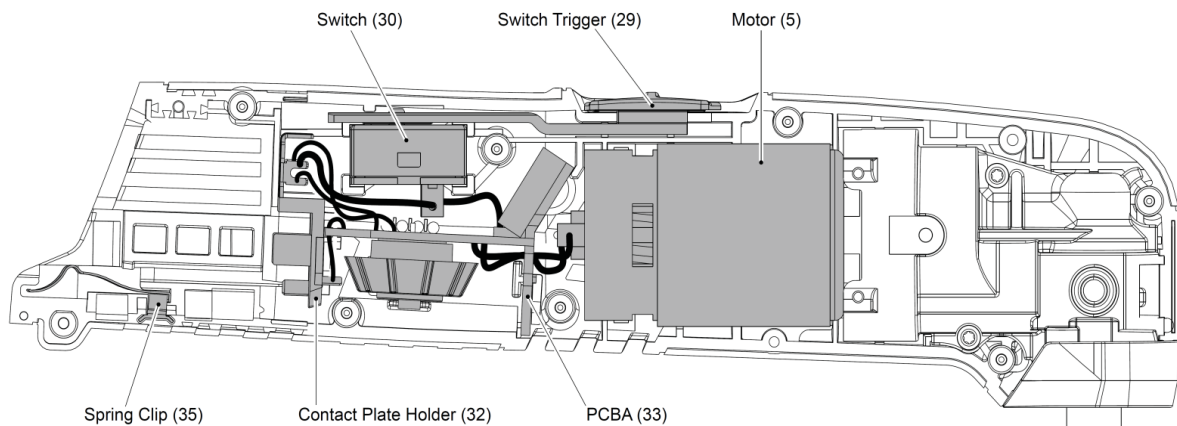
M12™ MULTI TOOL

VERSION A - B2017

ITEM	PART NUMBER	PART DISCRIPTION	QTY (PCS)
1	660570005	M3.0 X 14MM SCREW	11
2	941038261	SERVICE NAMEPLATE	1
3	-	HOUSING HALVE - RIGHT	1
4	661081001	M2.6 X 10MM SCREW	1
5	-	MOTOR	1
6	-	MOTOR PINION	1
7	-	MOUNTING PLATE	1
8	-	M3.0 X 16MM SCREW	2
9	-	WASHER	2
10	562584001	O-RING	2
11	-	SPRING WASHER	2
12	-	SPLINE SHAFT	1
13	-	COUNTER BALANCE	1
14	-	BALL BEARING	1
15	-	RETAINING RING	1
16	-	NEEDLE ROLLER BEARING	1
17	672254001	PIN	1
18	-	GEARCASE	1
19	-	NEEDLE BEARING	1
20	-	FORK	1
21	-	BALL BEARING	1
22	-	RETAINING RING	1
23	-	OUTPUT SHAFT	1
24	-	BIT HOLDER	1
25	611273001	ADAPTER	1
26	611298001	BLADE COVER	1
27	661297001	M6 X 22.6MM SCREW	1
28	-	HOUSING HALVE - LEFT	1
29	522157001	SWITCH TRIGGER	1
30	-	SWITCH	1
31	-	LEADWIRE ASSEMBLY - RED (NOT SHOWN)	1
32	-	CONTACT PLATE HOLDER	1
33	-	PCBA	1
34	-	FUEL GAUGE LABEL (NOT SHOWN)	1
35	633680001	SPRING CLIP	1
36	-	BALL BEARING	1

	<h1>C12 MT</h1> <p>SERVICE PARTS LIST</p>	Bulletin Date: <h2>Feb-18</h2>
	<p>TTI Model Number: 018 054 025, 039, 042</p> <p>M12™ MULTI TOOL</p>	Starting Serial Number: <p>VERSION A - B2017</p>

ITEM	PART NUMBER	PART DISCRIPTION	QTY (PCS)
37	562687001	RUBBER PAD - RIGHT	1
38	562687002	RUBBER PAD - LEFT	1
40	522537001	GEARCASE COVER	1
41	662030001	M3.0 X 10MM SCREW	2
44	902048017	CANVAS CARRYING CASE	1
52	201366007	SWITCH ASSEMBLY KIT	1
53	200281033	GEARCASE ASSEMBLY KIT	1
54	200198006	MOTOR ASSEMBLY KIT	1
55	201437002	HOUSING HALVE ASSEMBLY KIT	1
57	201736001	COUNTER BALANCE ASSEMBLY KIT	1
60	562638003	DUST CAP	1
61	692752001	HEX KEY (NOT SHOWN)	1
62	940221354	WARNING LABEL (NOT SHOWN)	1
1200	-	TYPE J GREASE	1



WIRING SPECIFICATIONS

Wire No.	Wire Color	Origin or Gauge	Length	Terminals, Connectors and 1 or 2 End Wire Preparation
1	Blue	-----	-----	Component of the Switch Assembly Kit. Route from bottom of PCBA to (+) terminal on motor.
2	White	-----	-----	Component of the Switch Assembly Kit. Route from bottom of PCBA to (-) terminal on motor.
3	White	-----	-----	Component of the Switch Assembly Kit. Route from top of PCBA to switch as shown.
4	Red	-----	-----	Component of the Switch Assembly Kit. Route from contact plate holder to switch as shown.
5	Black	-----	-----	Component of the Switch Assembly Kit. Route from top of PCBA to contact plate holder.
6	White	-----	-----	Component of the Switch Assembly Kit. Route from top of PCBA to contact plate holder.
7	Red	-----	-----	Component of the Switch Assembly Kit. Route from top of PCBA to contact plate holder.