

Installation Guide

2-step solenoid valve

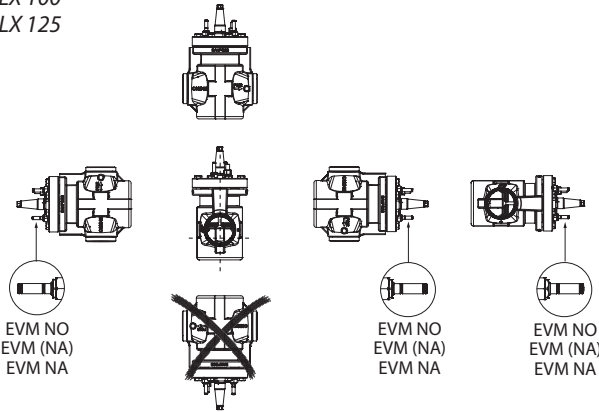
ICLX 100-150

027R9902

027R9902

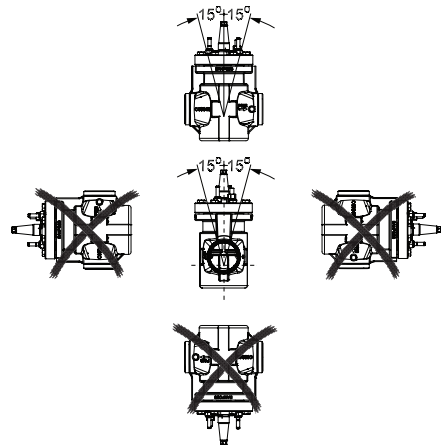
Installation | Montage | Instalación | Instalação | 安装 | Montaż zaworu | Монтаж

ICLX 100
ICLX 125



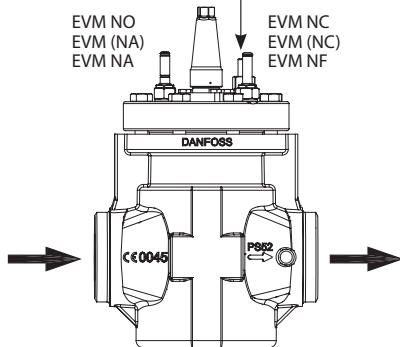
1a

ICLX 150



1b

External pressure inlet
Entrée de pression externe
Entrada de presión externa
Entrada de pressão externa
外部压力入口
Wlot ciśnienia sterującego
Внешняя пилотная линия

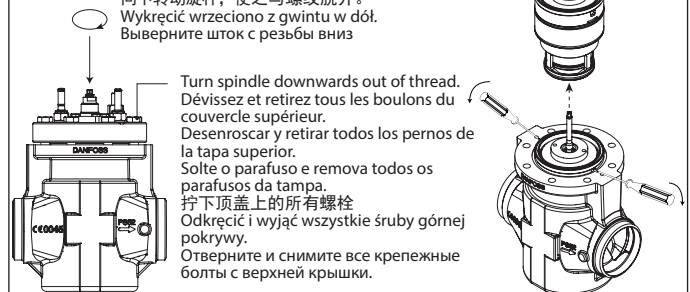


Flow direction
Direction du flux
Sentido de flujo
Direção do fluxo
流向
Kierunek przepływu
Направление потока

2

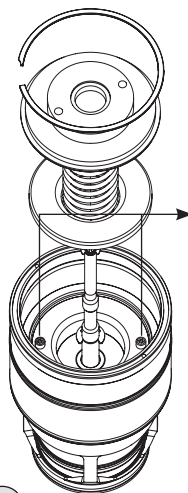
Remove spindle sign, lock ring and lock washer.
Retirez la marque de la tige, l'anneau de blocage et la rondelle frein.
Retirar la cubierta del eje, el anillo de bloqueo y la arandela de bloqueo.
Remove o sinal do eixo, anel de bloqueio e arruela de bloqueio.
取下旋杆标签、锁环和锁紧垫圈。
Zdemontować znacznik wrzeciono, pierścień blokujący i podkładkę.
Снимите со штока стопорное кольцо и стопорную шайбу.

Unscrew and remove all top cover bolts
Vissez la tige vers le bas, jusqu'en fin de filetage.
Girar el eje presionando hacia abajo para extraerlo.
Gire o eixo para baixo para fora da rosca.
向下转动旋杆，使之与螺纹脱离。
Wykręcić wrzeciono z gwintu w dół.
Выверните шток с резьбы вниз



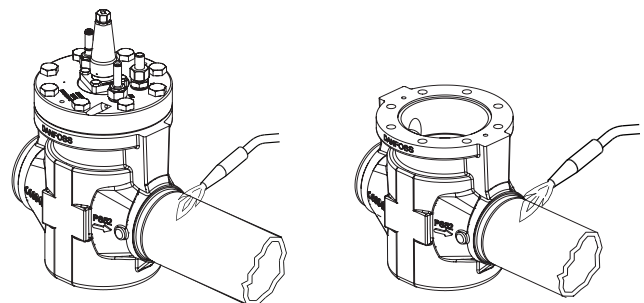
3

Turn spindle downwards out of thread.
Dévissez et retirez tous les boulons du couvercle supérieur.
Desenroscar y retirar todos los pernos de la tapa superior.
Solte o parafuso e remova todos os parafusos da tampa.
拧下顶盖上的所有螺栓
Odkręcić i wyjąć wszystkie śruby górnej pokrywki.
Отверните и снимите все крепежные болты с верхней крышки.



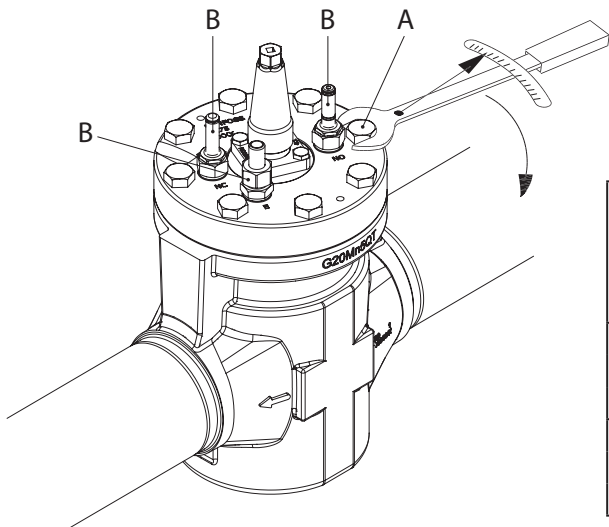
4

	two-step deux temps Dos etapas dois estágios 两步式 Praca dwustopniowa двухступенчатый	one-step un temps Una etapa um estágio 一步式 Praca jednostopniowa одноступенчатый
ICLX 100		
ICLX 125	M6 x 6	M6 x 16
ICLX 150		
	Allen key Clé Allen Llave Allen Chave Allen 内六角 Klucz imbusowy Торцевой ключ	Allen key Clé Allen Llave Allen Chave Allen 内六角 Klucz imbusowy Торцевой ключ



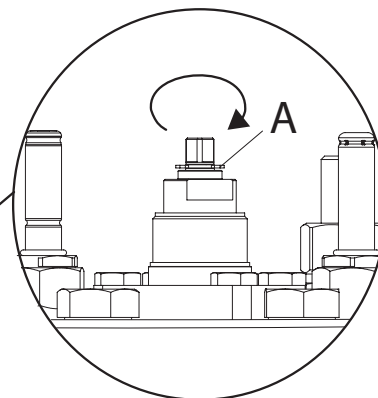
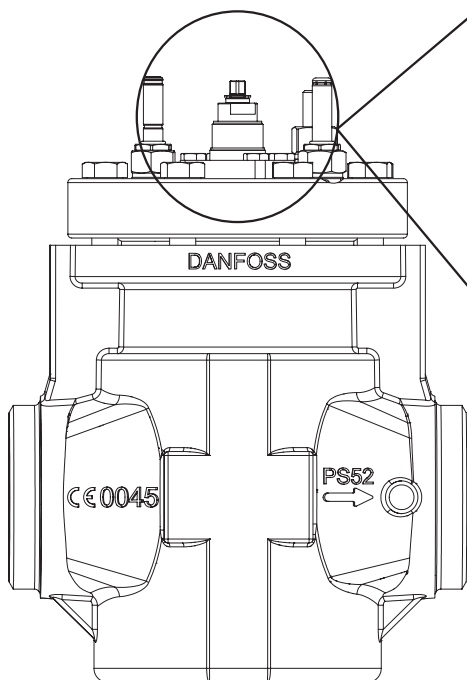
5

Only for heat controlled welding with no welding debris.
Uniquement pour les soudages à chaleur contrôlée sans résidus.
Sólo para soldadura con control de calor y sin residuos de soldadura.
Somente para soldagem com aquecimento controlado sem detritos da soldagem.
只可采用不产生焊屑的控温焊接。
Przeznaczone wyłącznie do spawania z kontrolą temperatury i bez odprysków.
Только при сварке с хорошим отводом тепла.



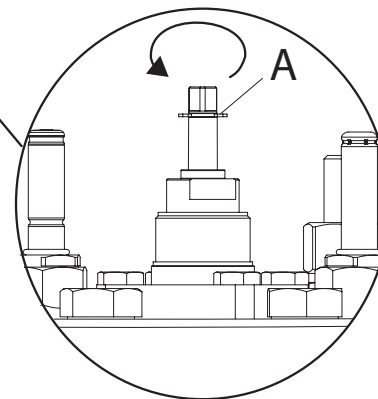
	Valve body size Taille du corps de vanne Tamaño del cuerpo de la válvula Corpo da válvula tamanho 阀体尺寸 Wielkośc zaworu Размер корпуса клапана	Nm	ft lb
Pos. A 位置 A	100	220	162
	125		
	150		
Pos. B 位置 B	100	50	37
	125		
	150		

6



Clockwise
Sens des aiguilles d'une montre
En el sentido de las agujas del reloj
Sentido horário
顺时针方向
Zgodnie z ruchem wskazówek zegara
По часовой стрелке

Normal operation mode
Mode de fonctionnement normal
Modo de funcionamiento normal
Modo de operação normal
正常工作模式
Tryb normalnej pracy wrzecziono wkręcone
Штатный режим



Counter clockwise
Sens inverse des aiguilles d'une montre
En sentido contrario a las agujas del reloj
Sentido anti-horário
逆时针方向
Przeciwnie do ruchu wskazówek zegara
Против часовой стрелки

Manual forced opening
Ouverture manuelle forcée
Apertura manual forzada
Abertura manual forçada
手动强制开通
Wymuszone otwarcie wrzecziono wykręcone
Принудительное ручное открытие

7

1. Body
Corps
Cuerpo
Corpo
閥体
Korpus zaworu
Корпус клапана
2. Top cover
Couvercle supérieur
Tapa superior
Тампа
頂蓋
Pokrywa góna
Верхняя крышка
3. Function module
Module de fonction
Módulo de función
Módulo de função
功能模块
Modul roboczy
Функциональный модуль
4. Gasket
Joint d'étanchéité
Junta
Gaxeta
垫片
Uszczelka
Прокладка
5. Bolts
Boulons
Pernos
Parafusos
螺栓
Śruby
Болты
6. EVM NO
EVM NC
EVM (NC)
EVM NF
EVM NC
EVM NC
EVM NC
EVM NC
7. Manual operating spindle
Tige de fonctionnement manuel
Eje de accionamiento manual
Eixo de operação manual
手动操作旋杆
Wrzeciono ręcz. otwierania
Шток ручного управления
8. EVM NC
EVM NC
EVM (NC)
EVM NF
EVM NC
EVM NC
EVM NC
9. External pressure inlet
Entrée de pression externe
Entrada de presión externa
Entrada de pressão externa
外部压力入口
Wlot ciśnienia sterującego
Патрубок внешней пилотной линии
10. Cap
Saruchon
Tapón
Tampa
阀帽
Kolpak
Колпачок
11. Eyebolt threads
Filetages des boulons à œil
Ofícios roscados para argolas
Olhal com rosca
吊环螺栓
Gwinty do śrub oczkowych
Резьба рым-болта

8a

1. Manual operating spindle
Tige de fonctionnement manuel
Eje de accionamiento manual
Eixo de operação manual
手动开启旋杆
Wrzeciono ręcz. otw.
Шток ручного управления
2. Insert
Insert
Funda
Inserto
插入件
Korpus mod. roboczego
Функциональный модуль
3. Piston assembly
Ensemble piston
Conjunto del pistón
Conjunto do pistão
活塞组件
Zespół tłoka
Поршень в сборе
4. Spring retainer (lower)
Cale du ressort (inférieure)
Retén del muelle (inferior)
Retentor da mola (inferior)
彈簧底座 (下部)
Element ustalający sprężyny (dolny)
Стопор пружины (нижний)
5. Spring
Ressort
Muelle
Mola
彈簧
Sprężyna
Пружина
6. Spring retainer (upper)
Cale du ressort (supérieure)
Retén del muelle (superior)
Retentor da mola (superior)
彈簧底座 (上部)
Element ustalający sprężyny (górný)
Стопор пружины (верхний)
7. Retaining ring
Anneau de retenue
Anillo de retención
Anel de retenção
扣环
Pierścień blokujący
Стопорное кольцо

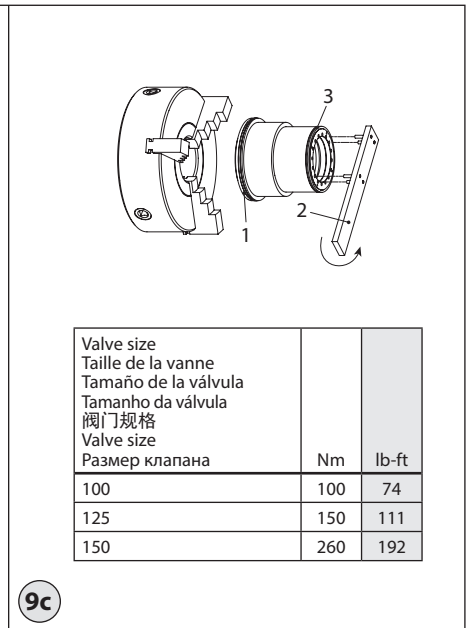
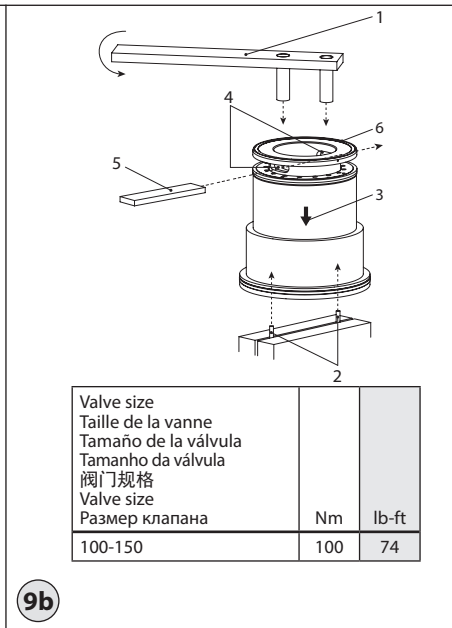
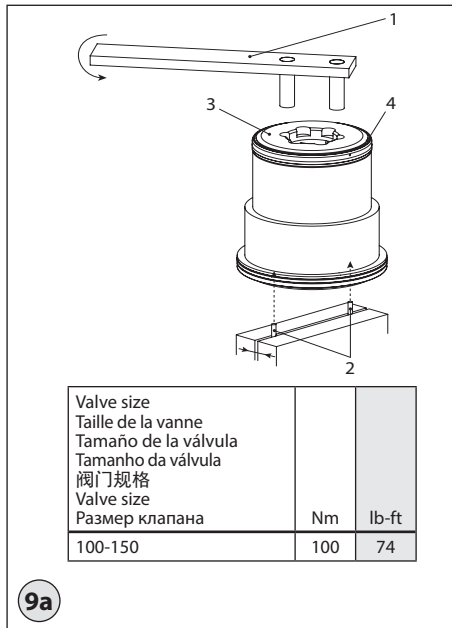
Caution - Seal seat
Attention - joint du siège
Precaución - Asiento del sello
Cuidado - Assento de vedação
注意 - 密封阀座
Uwaga - Gniazdo uszczelki 2 stopnia
Внимание - Седловое уплотнение

8b

1. Sealing retainer
Joint de retenue
Retén de sellado
Retentor de vedação
密封承座
Element ustalający uszczelnienie
Фиксирующее уплотнение
2. PTFE seat plate main
Plaque de siège PTFE – principal
Placa de asiento de PTFE, principal
Placa da válvula PTFE
PTFE 主座板
Uszcz. 2 stopień (PTFE)
Основная тефлоновая клапанная пластина
3. Main piston
Piston principal
Pistón principal
Pistão principal
主活塞
Tłok główny
Основной поршень
4. Sealing retainer
Joint de retenue
Retén de sellado
Retentor de vedação
密封承座
Element ustalający uszczelnienia
Фиксирующее уплотнение
5. PTFE seat plate bleed
Plaque de siège PTFE – vidange
Placa de asiento de PTFE, purga
Purga da placa PTFE
PTFE 泄流阀板
Uszcz. 1 stopień (PTFE)
Спускная тефлоновая клапанная пластина
6. Bleed piston
Piston – vidange
Pistón de purga
Pistão de purga
泄流活塞
Tłok pomocniczy
Спускной поршень
7. Bleed spring
Ressort – vidange
Muelle de purga
Mola de purga
泄流弹簧
Sprężyna pomocnicza
Спускная пружина
8. Main piston top
Plaque supérieur piston
Pistón principal, pieza superior
Topo do pistão principal
主活塞顶部
Pokrywa głównego tłoka
Крышка основного поршня
9. Bolts
Boulons
Pernos
Parafusos
螺栓
Śruby
Болты

Caution - Seal seat
Attention - joint du siège
Precaución - Asiento del sello
Cuidado - Assento de vedação
注意 - 密封阀座
Uwaga - Gniazdo uszczelki 2 stopnia
Внимание - Седловое уплотнение

8c



ENGLISH

Installation

Refrigerants

Applicable to all common non-flammable refrigerants, including R717 and R744 (CO₂) and all non-corrosive gases/liquids. Flammable hydrocarbons are not recommended. The valve is only recommended for use in closed circuits. For further information please contact Danfoss.

Temperature range
-60/+120°C (-76/+248°F)

Pressure
The valves are designed for a max. working pressure of 52 bar g (754 psi g).

Application
The ICLX is used in suction lines for the opening against high differential pressure, e.g. after hot gas defrost in large industrial refrigeration systems with ammonia, fluorinated refrigerants or CO₂.

The ICLX opens in two steps:
Step one opens to approx. 10% of the capacity, when the pilot solenoid valves are activated.
Step two opens automatically after the pressure differential across the valve reaches approximately 1 bar.

External pressure
The external pressure applied to the ICLX should always be 1.5 bar higher than the inlet pressure of the valve. This will give the valve a MOPD of 28 bar. If the external pressure is 2 bar higher than the inlet pressure the MOPD of the ICLX will be 40 bar.

Electrical wiring
The ICLX valve is a normally closed design. To ensure that the valve operates as normally closed it is important that the EVM NC pilot is mounted in the pilot port marked NC in the top cover, EVM NO in port NO and the external pressure to E (fig. 2). For normal operation mode both pilots should be energized simultaneously, e.g. same signal can be used for both pilots.

Coil requirements
Both coils must be IP67.
EVM NC: 10W ac (or higher) for MOPD up to 21 bar
EVM NC: 20W ac for MOPD 21 → 40 bar
EVM NO: 10W ac (or higher)



The valve will have a malfunction in systems where the pressure differential across the valve in normal open conditions will exceed 1 bar (15 psig). In this case the step two of the valve will close.

The valve/valve housing can be lifted by means of eyebolts positioned like shown in fig. 8a, pos. 11.

Orientation
The valve must be installed with the arrow in the direction of the flow (fig. 2). The top cover can be rotated 4x90° in relation to the valve body.

ICLX 150
The valve must be installed with the spindle in upwards position 15°/15° (fig. 1b).

ICLX 100 and 125
The valve must be installed with the pilots pointing in one of the directions shown in fig. 1a. Downwards pointing pilots (any angle) is not possible.
If the ICLX is installed with a vertical pilot orientation (see fig. 1a) attention should be paid to have the EVM NO in lower position. If needed rotate the top cover.

The valve is fitted with a spindle for manual opening. Make sure that the external pilot line is connected to the upper side of the main line so that any dirt and oil from the plant will not find its way into the pilot line. The valve is designed to withstand a high internal pressure. However, the piping system should be designed to avoid liquid traps and reduce the risk of hydraulic pressure caused by thermal expansion. It must be ensured that the valve is protected from pressure transients like "liquid hammer" in the system.

Welding (fig. 5 and 8a)
For heat controlled welding methods and welding methods ensuring no debris, the valve can stay assembled during the welding process.

The top cover (fig. 8a, pos. 2) and function module (fig. 8a, pos. 3), can be removed before welding to prevent damage to o-rings and teflon (PTFE) in the function module. The function module can be lifted out by applying a vertical force on the grooves as shown in figure 3. Additionally eyebolts can be threaded as shown in fig. 8a, pos. 11 for external lifting.



The internal surfaces and weld connections of the enclosed ICLX valve have been applied with an anti-corrosion treatment.

In order to maintain the effectiveness of this anti-corrosion treatment, it is important to ensure that the valve is disassembled just prior to the welding / brazing process being undertaken.

In the event that the function modules are to be left disassembled for even a short period, please ensure that the function modules are further protected by placing in a polyethylene bag or by applying a rust protection agent (e.g. refrigeration oil or BRANOROL) on the surfaces.

Only materials and welding methods, compatible with the valve body material, must be applied to the valve body.

Avoid welding debris and dirt in the valve body and the function module. The valve body must be free from stresses (external loads) after installation.

The valves must not be mounted in systems where the outlet side of the valve is open to atmosphere. The outlet side of the valve must always be connected to the system or properly capped off, for example with a welded-on end plate.

ENGLISH

Assembly

Remove welding debris and any dirt from pipes and valve body before assembly.

Check that the o-rings are intact before replacing the function module. If possible, apply some refrigeration oil to ease the insertion and to protect the o-rings. Check that the top gasket has not been damaged. If the surface has been damaged or the gasket has been bent, it must be replaced.

Tightening (fig. 6)

Tighten the top cover with a torque wrench, to the values indicated in the table.

Colours and identification

The ICLX valves are Zinc-Chromated from factory. The Zinc-Chromatization does not cover the welding connections. If further corrosion protection is required, the valves can be painted.

The external surface of the valve housing must be protected against corrosion with a suitable top coating after installation involving welding and consequent assembly. Protection of the ID plate when painting the valve is recommended.



Important note for ICLX valves:

The ICLX valve is kept in its open position by hot gas. The hot gas condenses in the cold valve and creates liquid under the servo piston.

When the pilot valves change status to close the ICLX, the pressure on the servo piston equalises with the suction pressure through the pilot valve.

This equalisation takes time because condensed liquid is present in the valve. The exact time taken from when the pilot valves change position to complete closing of the ICLX will depend on temperature, pressure, refrigerant and size of valve. Thus an exact closing time for the valves cannot be given but, in general, lower temperatures give longer closing times.

It is very important to take the closing times into consideration when hot gas defrost is performed on evaporators.

Steps must be taken to ensure that the hot gas supply valve is not opened before the ICLX in the suction line is completely closed. If the hot gas supply valve is opened before the ICLX in the suction line is closed, considerable energy will be lost and potentially dangerous situations might arise because of "liquid hammer". In ICLX valves, the spring-loaded second stage might be induced to hammer by gas and liquid being forced through the valve at $\Delta p > 1.5$ bar across the ICLX. The final result could be severe damage to the valve.

As a rule of thumb a closing time of 2 minutes can be used as a starting point. The optimum closing time for each individual system must be determined at initial start-up of the plant at intended operational conditions. It is recommended to check if the closing time needs to be changed when conditions changes (suction pressure, ambient temp. etc.) and closing time should be checked at service of the valve.

Once the optimum closing time has been identified it is recommended to add a safety margin of 30 sec. to the optimum closing time.

Maintenance

Service

The ICLX valves can be disassembled for service purposes.

Only skilled and trained refrigeration engineers are allowed to service the ICLX valves.

Do not open the valve while the valve is still under pressure.

Pressure relief can be done by carefully opening the manual operating spindle. Small grooves along the thread will release refrigerant into open air. This operation must only be done after providing the correct countermeasures under local legislation. The function module can be lifted out by applying a vertical force on the grooves shown in figure 3.

Upon opening and removal of the function module:

- Check that the o-rings on the function module has not been damaged. A valve with a damaged o-ring might not operate according to the specification.
- The insert and piston assembly can be disassembled according to figure 8b & 8c. Be careful when removing the retaining ring (fig. 8b, pos. 7). The retaining ring (fig. 8b, pos. 7) will be submitted to the force from the compressed spring (fig 8b, pos. 5).
- Be careful not to damage the two Seal Seats shown in fig. 8b and 8c since any deformation of the steel surface will lead to malfunction of the valve
- Check pistons, cylinders and valve plates for wear and scratches and replace if needed.
- Check that the movement of the pistons and valve seats are free and with low friction.

Replacement of Valve Plates (ordinary wear parts)

It is possible to replace the two PTFE valve plates (fig. 8c, pos. 2 and pos. 5) by following fig. 9 and these instructions:

Fig. 9a, pos.1 shows a tool (purpose made) that fits into the hole pattern of the sealing retainer (pos. 3) of the piston assembly. As backstop when unscrewing the sealing retainer it is recommended to make an arrangement of two steel pins that fits into the female hexagon holes of the Allen bolts (fig. 8c, pos. 9), clamped into a vice (fig. 9a, pos. 2).

Once the sealing retainer is removed, the Valve plate (pos. 4) can be lifted out.

Move the two steel pins (fig. 9b, pos.2) to a higher position in the vice to allow the bleed piston (fig. 9b, pos. 3) to be slid downwards and expose two elongated holes (pos.4).

While there is access to the holes (pos. 4) a steel bar (pos.5) with matching dimensions is inserted through the two opposed holes with tool pos. 1 (or similar fork tool) bridging the bar.

Unscrew the main piston (fig. 9b, pos. 6).

For disassembling of the last sealing retainer it is recommended to utilise a mandrel with three point suspension to avoid deformation of the surfaces (fig. 9c).

Clamp the bleed piston carefully to the mandrel at surface pos.1. Block the mandrel

from rotation and unscrew the sealing retainer with a tool (pos.2) manufactured for the purpose.

When the sealing retainer is removed the remaining valve plate (pos. 3) can be replaced.

Reassembling of the piston assembly is done in reverse order. The torque values for the different joints are shown in fig. 9.

Assembly

Remove any dirt from the body before the valve is assembled. Check that all channels in the valve are not blocked by particles or similar.

If possible, apply some refrigeration oil to ease the insertion and to protect the o-rings.

Tightening (fig. 6)

Tighten the top cover with a torque wrench, to the values indicated in the table.

Changing from two step to one step function

The ICLX valve is from factory side setup as two step function. To change the opening characteristics to one step function the following step must be completed:

- Remove the function module from the valves house (fig 3.).
- Remove the locking ring, upper spring retainer, spring and lower spring retainer (fig. 4).
- Change the two bolts (fig 8c, pos. 9).
- The length of the two bolts corresponds to the desired characteristic of the valve and should be applied according to the table (fig. 4).
- After changing the bolts the valve can be reassembled.

Manual opening device (fig. 7)

Normal operation mode

For the valve to operate normally under the influence of the pilot valves the spindle of the manual operation device needs to be turned fully clockwise until the locking ring (A) sits on the top of the packing gland. *Manual forced opening*

To manually open the valve the spindle of the manual operation device needs to be turned fully counter clockwise until hitting the mechanical stop.

Commissioning

The time span required to secure full closing of the ICLX valve depends on valve size and application, and needs to be investigated on site. The optimum should be determined during commissioning.

Use only original Danfoss parts, including O-rings and gaskets for replacement. Materials of new parts are certified for the relevant refrigerant.

In cases of doubt, please contact Danfoss.

Drawings are only for illustration, not for dimensioning or construction.

FRANÇAIS

Montage

Réfrigérants

Utilisables avec tous les réfrigérants ininflammables courants, y compris R717 et R744 (CO₂), et tous les gaz ou liquides non corrosifs.

Les hydrocarbures inflammables ne sont pas recommandés.

La vanne est recommandée pour une utilisation en circuits fermés uniquement. Pour de plus amples informations, veuillez contacter Danfoss.

Plage de températures

-60/+120 °C (-76/+248 °F)

Pression

Les vannes sont conçues pour une pression de service maximale de 52 bar g (754 psi g).

Application

La vanne ICLX est utilisée dans les conduites d'aspiration avec un fort delta P à l'ouverture, par exemple après dégivrage par gaz chauds dans les systèmes de réfrigération industrielle à l'ammoniac, réfrigérants fluorés ou au CO₂.

La vanne ICLX s'ouvre en deux temps :

Le premier temps ouvre la vanne à environ 10 % de sa capacité lorsque les électrovannes pilotes sont activées.

Le deuxième temps ouvre la vanne automatiquement, lorsque la pression différentielle dans la vanne atteint environ 1 bar.

Pression externe

La pression externe appliquée à la vanne ICLX doit toujours être supérieure de 1,5 bar à la pression d'entrée de la vanne. Cela donne à la vanne un MOPD de 28 bar. Si la pression externe est supérieure de 2 bar à la pression d'entrée, le MOPD de la vanne ICLX sera de 40 bar.

Câblage électrique

La vanne ICLX est de conception normalement fermée (NC). Pour assurer que la vanne fonctionne en mode normalement fermé, il est important de monter la vanne pilote EVM NC sur l'orifice de pilote marqué NC sur le couvercle supérieur, et la pression externe sur l'orifice E (fig. 2). En fonctionnement normal, les deux vannes pilotes doivent être mises sous tension simultanément, par exemple le même signal peut être utilisé pour les deux vannes pilotes.

Caractéristiques des bobines

Les deux bobines doivent avoir un indice de protection IP67.

EVM NC : 10 Wca (ou plus) pour une MOPD inférieure ou égale à 21 bar

EVM NC : 20 Wca pour une MOPD de 21 à 40 bar

EVM NO : 10 Wca (ou plus)



La vanne présente un dysfonctionnement dans les systèmes où la pression différentielle dans la vanne, en condition normalement ouverte, dépasse 1 bar (15 psig). Dans ce cas, la vanne se ferme conformément au deuxième temps.

La vanne et le corps de vanne peuvent être retirés verticalement vers le haut au moyen de boulons à œil positionnés comme indiqué fig. 8A, pos. 11.

Orientation

La vanne doit être installée avec la flèche orientée dans la direction du flux (fig. 2). Le couvercle supérieur peut être tourné de 4x90° par rapport au corps de vanne.

ICLX 150

La vanne doit être installée de façon à ce que la tige soit orientée à la verticale, vers le haut, 15°/15° (fig. 1b).

ICLX 100 et 125

La vanne doit être installée avec les pilotes orientés dans l'une des directions illustrées à la fig. 1a. Il n'est pas possible d'orienter les pilotes vers le bas (quel que soit l'angle).

Si la vanne ICLX est installée avec les pilotes orientés à la verticale (voir fig. 1a), il convient de veiller à positionner l'EVM NO en bas. Si nécessaire, faire pivoter le couvercle supérieur.

La vanne est dotée d'une tige pour ouverture manuelle. Veillez à connecter la conduite pilote

externe au côté supérieur de la conduite principale, afin d'éviter l'entrée d'impuretés ou d'huile provenant du site dans la conduite pilote. La vanne est conçue pour résister à une pression interne élevée. Toutefois, il convient de concevoir le circuit de façon à éviter les pièges à liquide et réduire les risques de formation d'une pression hydraulique sous l'effet de la dilatation thermique. Veillez à ce que la vanne soit protégée des variations de pression au sein du circuit comme les « coups de bélier ».

Soudage (fig. 5 et 8a)

Lorsque des méthodes de soudage à chaleur contrôlée et sans résidus sont utilisées, la vanne peut restée assemblée pendant le soudage.

Le couvercle supérieur (fig. 8a, pos. 2) et le module de fonction (fig. 8a, pos. 3), peuvent être retirés avant le soudage pour éviter d'endommager les joints toriques et téflon (PTFE) du module de fonction.

Le module de fonction peut être relevé hors de la vanne par l'application d'une force verticale sur les cannelures, comme illustré à la figure 3. Des boulons à œil supplémentaires peuvent être vissés, comme illustré fig. 8a, pos. 11, pour un levage externe.



Les surfaces internes et les raccords soudés de la vanne ICLX jointe ont fait l'objet d'un traitement contre la corrosion.

Pour préserver l'efficacité de ce traitement, il est important de veiller à démonter la vanne juste avant un processus de soudage ou de brasage.

Si les modules de fonction doivent rester démontés, même pour une courte période, veillez à les protéger en les plaçant dans un sachet en polyéthylène ou en appliquant aux surfaces un agent de protection contre la rouille (par exemple de l'huile de réfrigération ou du BRANOROL).

Seuls des matériaux et des méthodes de soudage compatibles avec le matériau du corps de vanne doivent être appliqués au corps de vanne.

Évitez l'entrée de résidus de soudage et d'impuretés dans le corps de vanne et dans le module de fonction. Le corps de vanne doit être exempt de contraintes (charges externes) après l'installation.

Les vannes ne doivent pas être montées dans des systèmes où la sortie de la vanne est ouverte à l'atmosphère. Le côté sortie de la vanne doit toujours être raccordé au système ou correctement couvert, par exemple à l'aide d'un embout soudé.

Montage

Éliminez les résidus de soudage et les impuretés des conduites et du corps de vanne avant de procéder au montage. Vérifiez que les joints toriques sont intacts avant de replacer le module de fonction. Si possible, appliquez un peu d'huile frigorigène pour faciliter l'insertion et

pour protéger les joints toriques. Vérifiez que le joint d'étanchéité supérieur n'a pas été endommagé. Si sa surface a été endommagée ou s'il a été tordu, il doit être remplacé.

Serrage (fig. 6)

Serrez le couvercle supérieur à l'aide d'une clé dynamométrique, conformément aux valeurs indiquées dans le tableau.

Peinture et identification

Les vannes ICLX sont revêtues en usine de chrome zingué. Le chrome zingué ne couvre pas les raccords soudés. Si une protection supplémentaire contre la corrosion est nécessaire, les vannes peuvent être peintes.

La surface extérieure du corps de vanne doit être protégée contre la corrosion à l'aide d'un revêtement de protection adapté, appliqué après une installation comportant des soudages suivis d'un montage.

Il est recommandé de protéger la plaque signalétique lors de la peinture de la vanne.



Remarque importante pour les vannes ICLX :

La vanne ICLX est maintenue en position ouverte par du gaz chaud. Le gaz chaud se condense dans

la vanne froide et crée du liquide sous le servopiston. Lorsque les vannes pilotes changent d'état pour fermer la vanne ICLX, la pression sur le servopiston devient égale à la pression d'aspiration, par l'intermédiaire de la vanne pilote.

Cette égalisation prend du temps, car du liquide condensé est présent dans la vanne. Le temps exact nécessaire pour la fermeture complète de la vanne ICLX, à partir du changement de position des vannes pilotes, dépend de la température, de la pression, du fluide frigorigène et de la taille de la vanne. Il est donc impossible d'indiquer un temps de fermeture exact pour les vannes mais, en général, des températures plus basses entraînent des temps de fermeture plus longs.

Il est très important de tenir compte des temps de fermeture lors du dégivrage par gaz chauds des évaporateurs.

Vous devez prendre des mesures pour assurer que la vanne d'alimentation en gaz chauds n'est pas ouverte avant la fermeture complète de la vanne ICLX dans la conduite d'aspiration. Si la vanne d'alimentation en gaz chauds est ouverte avant la fermeture de la vanne ICLX dans la conduite d'aspiration, une quantité considérable d'énergie est perdue et des situations potentiellement dangereuses peuvent se produire en raison de « coups de béliers ». En effet, le ressort du deuxième temps d'une vanne ICLX peut générer des coups de béliers si du gaz et du liquide sont forcés dans la vanne avec un $\Delta p > 1,5$ bar dans la vanne ICLX. La vanne risque alors d'être gravement endommagée.

De manière empirique, vous pouvez prévoir initialement un temps de fermeture de 2 minutes. Mais le temps de fermeture optimal pour chaque système doit être déterminé au premier démarrage de l'installation dans les conditions de fonctionnement prévues. Il est recommandé de vérifier si le temps de fermeture doit être modifié lorsque les conditions évoluent (pression d'aspiration, température ambiante, etc.) et le temps de fermeture doit être vérifié lors de l'entretien de la vanne. Une fois le temps de fermeture optimal validé, il est recommandé d'ajouter une marge de sécurité de 30 secondes au temps de fermeture optimal.

FRANÇAIS

Maintenance

Entretien

Les vannes ICLX peuvent être démontées à des fins d'entretien.

Seuls des techniciens en réfrigération compétents et formés sont autorisés à effectuer l'entretien des vannes ICLX. N'ouvrez pas la vanne lorsqu'elle est encore sous pression.

Pour relâcher la pression, ouvrez avec précaution la tige de fonctionnement manuel. Des petites cannelures situées le long du filetage laissent le réfrigérant s'échapper à l'air libre. Cette opération doit être effectuée uniquement après avoir pris les mesures de précaution conformes à la réglementation locale. Le module de fonction peut être relevé hors de la vanne par l'application d'une force verticale sur les cannelures, comme illustré à la figure 3.

Lors de l'ouverture et du retrait du module de fonctionnement :

- Vérifiez que les joints toriques du module de fonction n'ont pas été endommagés. Une vanne dont les joints toriques sont endommagés risque de ne pas fonctionner conformément à ses spécifications.
- l'insert et l'ensemble piston peuvent être démontés, comme illustré aux figures 8b et 8c. Retirez l'anneau de retenue avec précaution (fig. 8b, pos. 7). L'anneau de retenue (fig. 8b, pos. 7) est soumis à la force du ressort comprimé (fig. 8b, pos. 5).



Veillez à ne pas endommager les deux joints de siège illustrés fig. 8b et 8c, car toute déformation de la surface en acier entraîne un dysfonctionnement de la vanne.

- Vérifiez que les pistons, cylindres et plaques de vanne ne sont ni usés ni rayés et remplacez-les si nécessaire.
- Vérifiez que les pistons et les sièges de vanne se déplacent librement et avec un frottement réduit.

Remplacement des plaques de vannes (pièces d'usure normales)

Il est possible de remplacer les deux plaques de vanne en PTFE (fig. 8c, pos. 2 et 5) en respectant la figure 9 et les instructions suivantes :

La figure 9a, pos. 1, montre un outil (fabriqué à cet effet) qui s'insère dans les orifices du joint de retenue (pos. 3) de l'ensemble piston. Lors du dévissage du joint de retenue, il est recommandé d'utiliser une butée constituée de deux broches en acier correspondant aux orifices hexagonaux des boulons Allen (fig. 8c, pos. 9) et de le serrer dans un étau (fig. 9a, pos. 2).

Une fois le joint de retenue retiré, il est possible de retirer la plaque de vanne (pos. 4).

Placez les deux broches en acier (fig. 9b, pos. 2) à une position plus élevée dans l'étau, afin de pouvoir faire glisser le piston de vidange (fig. 9b, pos. 3) vers le bas et d'exposer deux orifices allongés (pos. 4).

Lorsque ces deux orifices sont accessibles (pos. 4), insérez une barre en acier (pos. 5) de dimensions correspondantes dans les deux orifices opposés, l'outil pos. 1 (ou une fourche similaire) formant un pont avec la barre.

Dévissez le piston principal (fig. 9b, pos. 6).

Pour démonter le dernier joint de retenue, il est recommandé d'utiliser un mandrin avec une suspension à trois points pour éviter de déformer les surfaces (fig. 9c).

Serrez soigneusement le piston de vidange dans le mandrin à la surface pos. 1. Bloquez la rotation du mandrin et dévissez le joint de retenue au moyen d'un outil (pos. 2) fabriqué à cet effet.

Une fois le joint de retenue retiré, il est possible de remplacer la plaque de vanne (pos. 3).

Pour remonter l'ensemble piston, procédez comme indiqué ci-dessus dans l'ordre inverse. Les valeurs de couple pour les différentes vannes sont répertoriées à la figure 9

Montage

Éliminez toute impureté du corps de vanne avant de procéder au montage. Vérifiez qu'aucun canal de la vanne n'est bloqué par des impuretés.

Si possible, appliquez un peu d'huile de réfrigération pour faciliter l'insertion et pour protéger les joints toriques.

Serrage (fig. 6)

Serrez le couvercle supérieur à l'aide d'une clé dynamométrique, conformément aux valeurs indiquées dans le tableau.

Passage du fonctionnement en deux temps au fonctionnement en un seul temps

La vanne ICLX est configurée en usine pour un fonctionnement en deux temps. Pour modifier les caractéristiques d'ouverture afin de permettre un fonctionnement en un seul temps, procédez comme suit :

- Retirez le module de fonctionnement du corps de vanne (fig. 3).
- Retirez l'anneau de blocage, la cale supérieure du ressort, le ressort et la cale inférieure du ressort (fig. 4).
- Remplacez les deux boulons (fig. 8c, pos. 9).
- La longueur des deux boulons correspond aux caractéristiques souhaitées de la vanne et doivent être sélectionnés conformément au tableau (fig. 4).
- Après avoir remplacé les boulons, vous pouvez remonter la vanne.

Dispositif d'ouverture manuelle (fig. 7)

Mode de fonctionnement normal

Pour que les vannes pilotes contrôlent normalement la vanne, la tige du dispositif de fonctionnement manuel doit être tournée à fond dans le sens des aiguilles d'une montre, jusqu'à ce que l'anneau de blocage (A) repose au sommet du presse étoupe.

Ouverture manuelle forcée

Pour ouvrir la vanne manuellement, tournez à fond la tige du dispositif de fonctionnement manuel dans le sens inverse des aiguilles d'une montre, jusqu'à ce que la butée mécanique soit atteinte.

Mise en service

La durée requise pour assurer la fermeture complète de la vanne ICLX dépend des dimensions et de l'utilisation de celle-ci ; elle doit être établie sur site. La valeur optimale doit être déterminée lors de la mise en service.

En cas de remplacement de pièces, utilisez uniquement des pièces Danfoss d'origine, y compris pour les joints toriques et les joints d'étanchéité. Les matériaux des nouveaux composants sont homologués pour le réfrigérant utilisé.

En cas de doute, veuillez contacter Danfoss.

Les schémas sont fournis à des fins d'illustration uniquement et ne doivent pas être utilisés pour déterminer des dimensions ou pour fabrication.

Instalación

Refrigerantes

Uso válido con todos los refrigerantes comunes, incluido el R-717 y el R-744 (CO₂), y gases/líquidos no corrosivos.

No se recomienda el uso con hidrocarburos inflamables.

Se recomienda limitar el uso de la válvula a circuitos cerrados. Si desea obtener más información, póngase en contacto con Danfoss.

Rango de temperatura

-60/+120 °C (-76/+248 °F).

Presión

Estas válvulas están diseñadas para una presión de trabajo máxima de 52 barg (754 psig).

Aplicación

Las válvulas ICLX se instalan en líneas de aspiración para garantizar la apertura contra presiones diferenciales elevadas, como las que tienen lugar tras un desescarche por gas caliente en sistemas de refrigeración industrial de grandes dimensiones con amoníaco, refrigerantes fluorados o CO₂.

Las válvulas ICLX se abren en dos etapas: Durante la etapa 1, se abren a, aproximadamente, un 10 % de su capacidad; es entonces cuando se activan las válvulas piloto de solenoide. Durante la etapa 2, la apertura tiene lugar automáticamente una vez que la presión diferencial a través de la válvula es de, aproximadamente, 1 bar.

Presión externa

La presión externa aplicada a una válvula ICLX debe ser siempre 1,5 bar superior a la presión de entrada. Ello confiere a la válvula una presión MOPD de 28 bar. Si la presión externa es 2 bar superior a la presión de entrada, la presión MOPD de la válvula ICLX será de 40 bar.

Cableado eléctrico

Las válvulas ICLX presentan un diseño normalmente cerrado. A fin de garantizar que funcionen de acuerdo con el mismo, es importante conectar en la tapa superior una válvula piloto de solenoide EVM (NC) al puerto de piloto NC y una válvula piloto de solenoide EVM (NA) al puerto de piloto NA, así como la presión externa al puerto E (fig. 2). Para que el funcionamiento tenga lugar en el modo normal, ambas válvulas piloto de solenoide deben activarse simultáneamente (es posible, por tanto, conectarlas a la misma señal).

Requisitos de las bobinas

Ambas bobinas deben contar con protección IP67.

EVM (NC): 10 W c.a. (o más) para MOPD hasta 21 bar

EVM (NC): 20 W c.a. para MOPD 21 → 40 bar

EVM (NA): 10 W c.a. (o más)



La válvula no funcionará correctamente si se instala en un sistema en el que la presión diferencial a través de la misma en condiciones de apertura normal sea superior a 1 bar (15 psig). En tal situación, la válvula se cerrará al alcanzar la etapa 2.

El conjunto formado por la válvula y la carcasa se puede elevar enroscando argollas en los orificios indicados en la fig. 8a, pos. 11.

Orientación

La válvula debe instalarse haciendo coincidir el sentido de la flecha con el sentido de flujo (fig. 2).

La tapa superior puede girarse 4 x 90° en relación con el cuerpo de la válvula.

ICLX 150

La válvula debe instalarse de forma que el eje quede orientado hacia arriba, con una tolerancia de 15°/15° (fig. 1b).

ICLX 100 y 125

La válvula debe instalarse con las válvulas piloto orientadas en una de las direcciones indicadas en la fig. 1a. La instalación con las válvulas piloto orientadas hacia abajo (en cualquier ángulo) no es posible.

Si la válvula ICLX se instala en vertical (consulte la fig. 1a), la válvula piloto EVM (NA) deberá quedar situada en la posición inferior. Gire la tapa superior si es necesario.

La válvula está equipada con un eje de apertura manual. Asegúrese de conectar la línea piloto externa al extremo superior de la línea principal para evitar que la suciedad y el aceite presentes en la instalación penetren en ella.

La válvula está diseñada para soportar una presión interna elevada. Sin embargo, el sistema de tuberías debe diseñarse de tal forma que se eviten las acumulaciones de líquido y se reduzca el riesgo asociado a la presión hidráulica generada por la expansión térmica. Debe garantizarse que la válvula cuente con protección frente a los fenómenos transitorios asociados a la presión que puedan tener lugar en el sistema (por ejemplo, el conocido como "golpe de ariete").

Soldadura (figs. 5 y 8a)

La válvula puede permanecer montada durante el proceso de soldadura si el método de soldadura aplicado permite controlar el nivel de calor y no genera residuos.

La tapa superior (fig. 8a, pos. 2) y el módulo de función (fig. 8a, pos. 3) se pueden desmontar antes de llevar a cabo la soldadura para evitar que resulten dañadas las juntas tóricas y los componentes de teflón (PTFE) del módulo de función.

El módulo de función se puede extraer aplicando una fuerza vertical sobre los surcos, como se muestra en la fig. 3. Asimismo, es posible enroscar argollas en los orificios indicados en la fig. 8a, pos. 11, para llevar a cabo operaciones de elevación externa.



Las superficies internas y las conexiones soldadas de la válvula ICLX suministrada han recibido un tratamiento anticorrosión.

A fin de preservar la efectividad de dicho tratamiento anticorrosión, es importante desmontar la válvula justo antes de llevar a cabo el proceso de soldadura.

Si se espera que el módulo de función permanezca desmontado, aun durante un corto período de tiempo, deberá garantizarse su protección introduciéndolo en una bolsa de polietileno o aplicando a las superficies un agente de protección contra la corrosión (como, por ejemplo, un aceite refrigerante o BRANOROL).

Los materiales y métodos de soldadura aplicados al cuerpo de la válvula deben ser compatibles con el mismo.

Debe evitarse la acumulación de residuos de soldadura y suciedad en el cuerpo de la válvula y el módulo de función. El cuerpo de la válvula no debe verse sometido a tensiones (cargas externas) tras su instalación.

La válvula no debe montarse en sistemas en los que el lado de salida de la misma quede abierto a la atmósfera. El lado de salida de la válvula debe siempre conectarse al sistema o cerrarlo debidamente (por ejemplo, soldando una placa).

Montaje

Elimine los residuos de soldadura y la suciedad de las tuberías y el cuerpo de la válvula antes de proceder a su montaje. Compruebe que las juntas tóricas se encuentren intactas antes de sustituir el módulo de función. Si es posible,

aplique aceite refrigerante para facilitar la inserción y proteger las juntas tóricas. Compruebe que la junta superior no presente daños. Si la superficie ha resultado dañada o la junta se ha doblado, sustituya la junta.

Apriete (fig. 6)

Apriete la tapa superior empleando una llave dinamométrica y de acuerdo con los pares de apriete especificados en la tabla.

Colores e identificación

Las válvulas ICLX vienen cincadas de fábrica. El cincado, no obstante, no protege las conexiones para soldar. Si se requiere mayor protección contra la corrosión, es posible pintar la válvula.

La superficie externa de la carcasa de la válvula debe protegerse frente a la corrosión aplicando un recubrimiento protector adecuado tras cualquier proceso de instalación que implique soldadura y la consecuente operación de montaje.

Se recomienda proteger la placa de identificación antes de pintar la válvula.



Observaciones importantes acerca de las válvulas ICLX:

Las válvulas ICLX se mantienen en su posición de apertura por medio de gas caliente. El gas caliente se condensa en la válvula fría y produce líquido bajo el pistón servoaccionado. Cuando las válvulas piloto cambian de estado para cerrar la válvula ICLX, la presión en el pistón servoaccionado se iguala con la presión de aspiración a través de la válvula piloto. La igualación lleva tiempo debido a la presencia de líquido condensado en la válvula.

El tiempo exacto que transcurre entre el cambio de posición de las válvulas piloto y el cierre completo de la válvula ICLX depende de la temperatura, la presión, el refrigerante y el tamaño de la válvula. Por este motivo, no resulta posible especificar un tiempo de cierre exacto; sin embargo, en términos generales, cuanto menor sea la temperatura mayor será el tiempo de cierre.

Es muy importante tomar en consideración los tiempos de cierre a la hora de realizar el desescarche por gas caliente en los evaporadores. Se deben adoptar las precauciones oportunas para garantizar que la válvula de suministro de gas caliente no se abra antes de que la válvula ICLX de la línea de aspiración esté completamente cerrada. Si dicha válvula de suministro de gas caliente se abre antes de que la válvula ICLX de la línea de aspiración esté cerrada, se producirá una pérdida considerable de energía y podrían darse situaciones peligrosas debido al fenómeno del "golpe de ariete". En las válvulas ICLX, la segunda etapa, accionada por muelle, podría dar lugar a un "golpe de ariete" a causa del paso forzado de gas y líquido a través de la válvula con un $\Delta p > 1,5$ bar. El resultado final podría ser una válvula gravemente dañada.

Normalmente, puede emplearse un tiempo de cierre de 2 minutos como punto de partida. El tiempo de cierre óptimo para el sistema en cuestión deberá determinarse durante la puesta en marcha inicial de la planta en las condiciones de trabajo previstas. Se recomienda comprobar si es necesario cambiar el tiempo de cierre como resultado de un cambio en las condiciones (presión de aspiración, temperatura ambiente, etc.); asimismo, el tiempo de cierre debe comprobarse como parte de las labores de mantenimiento de la válvula. Una vez determinado el tiempo de cierre óptimo, se recomienda agregar al mismo un margen de seguridad de 30 segundos.

Mantenimiento

Reparación

Las válvulas ICLX se pueden desmontar con fines de reparación.

La reparación de una válvula ICLX debe ser llevada a cabo exclusivamente por un ingeniero de refrigeración titulado y experto.

No abra la válvula mientras se encuentre presurizada.

La presión se puede liberar abriendo con cuidado el eje de accionamiento manual.

Los pequeños surcos dispuestos a lo largo de la rosca facilitarán la liberación del refrigerante a la atmósfera. Esta operación sólo debe llevarse a cabo una vez tomadas las medidas de seguridad que establezca la legislación local en vigor.

El módulo de función se puede extraer aplicando una fuerza vertical sobre los surcos, como se muestra en la fig. 3.

Tras la apertura y la extracción del módulo de función:

- Compruebe que las juntas tóricas del módulo de función no hayan resultado dañadas. Puede que una válvula con una junta tórica dañada no funcione de acuerdo con sus especificaciones.
- La funda y el conjunto del pistón se pueden desmontar de acuerdo con las figs. 8b y 8c. Tenga cuidado al desmontar el anillo de retención (fig. 8b, pos. 7). El anillo de retención (fig. 8b, pos. 7) se encuentra sometido a la fuerza ejercida por el muelle comprimido (fig. 8b, pos. 5).



Extreme la precaución para evitar dañar los dos asientos de sello ilustrados en las figs. 8b y 8c; cualquier deformación de la superficie de acero dará lugar a un funcionamiento deficiente de la válvula.

- Compruebe si los pistones, cilindros y placas de la válvula presentan desgaste o arañosos y sustitúyalos si es necesario.
- Compruebe que los pistones y asientos de la válvula puedan moverse libremente y sin sufrir demasiada fricción.

Sustitución de las placas de la válvula (piezas de desgaste habitual)

Es posible sustituir las dos placas de PTFE de la válvula (fig. 8c, pos. 2 y pos. 5) siguiendo los pasos ilustrados en la fig. 9 y las instrucciones descritas a continuación:

La fig. 9a, pos. 1, muestra una herramienta (fabricada específicamente para este propósito) que encaja en los orificios del retén sellado (pos. 3) del conjunto del pistón.

A fin de mantener sujeto el conjunto al desenroscar el retén de sellado, se recomienda fijar dos pasadores de acero a un tornillo de banco (fig. 9a, pos. 2), de tal modo que encajen en los orificios hexagonales hembra de los pernos Allen (fig. 8c, pos. 9).

Una vez desmontado el retén de sellado, será posible extraer la placa de la válvula (pos. 4).

Extraiga un poco más los dos pasadores de acero fijados en el tornillo de banco (fig. 9b, pos. 2) para que el pistón de purga (fig. 9b, pos. 3) pueda caer y dejar al descubierto los dos orificios alargados (pos. 4).

Una vez que los orificios se encuentren a la vista (pos. 4), inserte una barra de acero (pos. 5) de dimensiones adecuadas a través de los dos orificios opuestos y coloque encima la herramienta pos. 1 (u otra similar con forma de horquilla).

Desenrosque el pistón principal (fig. 9b, pos. 6).

Para desmontar el retén de sellado restante,

se recomienda emplear un mandril con tres puntos de sujeción para evitar la deformación de las superficies (fig. 9c).

Sujete con cuidado el pistón de purga al mandril por la superficie (pos. 1). Fije bien el mandril para que el pistón no pueda girar y desenrosque el retén de sellado empleando la herramienta fabricada específicamente para este propósito (pos. 2).

Una vez desmontado el retén de sellado, será posible extraer la otra placa de la válvula (pos. 3).

Para volver a montar el conjunto del pistón, siga los pasos anteriores en orden inverso. Los pares de apriete de las distintas uniones se muestran en la fig. 9.

Montaje

Elimine la suciedad que pueda haberse acumulado en el cuerpo de la válvula antes de volver a montarla. Compruebe que ninguno de los canales de la válvula se encuentre obstruido por partículas o residuos de otro tipo.

Si es posible, aplique aceite refrigerante para facilitar la inserción y proteger las juntas tóricas.

Apriete (fig. 6)

Apriete la tapa superior empleando una llave dinamométrica y de acuerdo con los pares de apriete especificados en la tabla.

Cambio del modo de funcionamiento de dos etapas a una etapa

Las válvulas ICLX se suministran de fábrica configuradas en el modo de funcionamiento de dos etapas. Siga las instrucciones descritas a continuación para cambiar al modo de funcionamiento de una etapa y modificar la característica de apertura:

- Desmonte el módulo de función de la carcasa de la válvula (fig. 3).
- Desmonte el anillo de bloqueo, el retén superior del muelle, el muelle y el retén inferior del muelle (fig. 4).
- Cambie los dos pernos (fig. 8c, pos. 9).
- La longitud de los pernos determina la característica de la válvula; use los que correspondan de acuerdo con la tabla (fig. 4).
- Monte de nuevo la válvula después de cambiar los pernos.

Dispositivo de apertura manual (fig. 7)

Modo de funcionamiento normal

Para que la válvula funcione normalmente bajo la influencia de las válvulas piloto de solenoide, el eje del dispositivo de accionamiento manual debe girarse en el sentido de las agujas del reloj hasta que el anillo de bloqueo (A) entre en contacto con el prensaestopas.

Apertura manual forzada

Para abrir la válvula manualmente, gire el eje del dispositivo de accionamiento manual en sentido contrario a las agujas del reloj hasta alcanzar el tope mecánico.

Puesta en servicio

El tiempo necesario para garantizar el cierre completo de una válvula ICLX depende del tamaño de la misma y la aplicación a la que está destinada, y debe determinarse in situ. El valor óptimo debe decidirse durante la puesta en servicio.

Use sólo piezas fabricadas por Danfoss (incluidas las juntas y juntas tóricas de repuesto). Los materiales con los que se fabrican las piezas poseen las homologaciones pertinentes para el refrigerante correspondiente.

En caso de duda, póngase en contacto con Danfoss.

Las figuras deben emplearse exclusivamente con fines de referencia y no para el dimensionamiento o la construcción de instalaciones.

PORTUGUÊS

Instalação

Refrigerantes

Aplicável para todos os refrigerantes comuns não inflamáveis, incluindo R717 e R744 (CO₂) e todos os gases/líquidos não corrosivos. Não se recomenda hidrocarbonetos inflamáveis. A válvula é recomendada apenas para uso em circuitos fechados. Para mais informações, entre em contato com a Danfoss.

Faixa de temperatura

-60/+120°C (-76/+248°F)

Pressão

As válvulas foram projetadas para uma pressão máx. de trabalho de 52 bar g (754 psi g).

Aplicação

A ICLX é usada em linhas de sucção para abertura com alta pressão diferencial, como por exemplo após o degelo por gás quente em sistemas de refrigeração industrial de grande porte com amônia, refrigerantes fluorados ou CO₂.

A ICLX abre em duas etapas:

No primeiro estágio, abre aproximadamente 10% da capacidade, quando as válvulas solenoides piloto são ativadas.

No segundo estágio, ela se abre automaticamente depois que a pressão diferencial ao longo da válvula atinge aproximadamente 1 bar.

Pressão externa

A pressão externa aplicada à ICLX deve sempre ser 1,5 bar mais alta do que a pressão de entrada da válvula. Isso dará à válvula um MOPD de 28 bar. Se a pressão externa for 2 bar mais alta do que a pressão de entrada, a MOPD da ICLX será 40 bar.

Fiação elétrica

A válvula ICLX é normalmente fechada. Para garantir que a válvula opere sempre com a mesma eficiência dela fechada, é importante que o piloto EVM NF seja montado no acesso marcado NC na tampa, o EVM NA no acesso NO e a pressão externa em E (fig. 2). Para o modo de operação normal os pilotos devem ser energizados simultaneamente, por exemplo,

o mesmo sinal pode ser usado para ambos os pilotos.

Requisitos da bobina

Ambas as bobinas devem ser IP67.

EVM NF: 10W ca (ou mais alto) para MOPD

até 21 bar

EVM NF: 20W ca para MOPD 21 → 40 bar

EVM NA: 10W ca (ou mais alto)



A válvula terá mau funcionamento nos sistemas onde a pressão diferencial ao longo da válvula em condições abertas normais exceder 1 bar (15 psig). Neste caso, o segundo estágio da válvula vai fechar.

A válvula ou o corpo da válvula pode ser levantado por meio de olhais posicionados como mostrado na fig. 8a, posição 11.

Orientação

A válvula deve ser instalada com a seta na direção do fluxo (fig. 2).

A tampa superior pode ser girada 4x90° em relação ao corpo da válvula.

ICLX 150

A válvula deve ser instalada com o eixo para cima 15°/15° (fig. 1b).

ICLX 100 e 125

A válvula deve ser instalada com os pilotos apontando em uma das direções apresentadas na fig. 1a. Pilotos apontando para baixo (qualquer ângulo) não é possível. Se a ICLX estiver instalada com uma orientação vertical de piloto (consulte a fig. 1a), preste atenção para que o EVM NO esteja na posição inferior. Caso seja necessário, rode a tampa superior.

A válvula está equipada com um eixo para abertura manual. Certifique-se de que a linha piloto externa está conectada com o lado superior da linha principal para que não haja resíduos de sujeira e óleo da instalação na linha piloto.

A válvula é projetada para suportar uma alta pressão interna. Entretanto, o sistema de tubulação deve ser projetado para evitar golpe de líquido e reduzir o risco de pressão hidráulica causada pela expansão térmica. Deve-se assegurar de que a válvula fique protegida contra transientes de pressão, como os "golpes de aríete" no sistema.

Soldagem (fig. 5 e 8a)

Para soldagem com aquecimento controlado e outros métodos que garantam a ausência de detritos, a válvula pode permanecer montada durante o processo de soldagem.

A tampa (fig. 8a, posição 2) e o módulo de função (fig. 8a, posição 3) devem ser removidos antes da soldagem para evitar danos aos o-rings e ao teflon (PTFE) no módulo de função. O módulo de função pode ser retirado aplicando-se uma força vertical nas ranhuras como mostrado na figura 3. Além disso, olhais podem ser rosqueados como mostrado na fig. 8a, posição 11 para levantamento externo.



As superfícies internas e as conexões soldadas da válvula ICLX foram aplicadas com um tratamento anticorrosão.

De modo a manter a eficácia do tratamento anticorrosão, é importante garantir que a válvula seja desmontada antes do processo de soldagem / brasagem a ser realizado.

Caso os módulos de função permaneçam desmontados mesmo que por um curto período, garanta que os módulos de função estejam protegidos colocando os mesmos em um saco de polietileno ou aplicando um agente de proteção contra ferrugem (por exemplo, óleo de refrigeração ou BRANOROL) nas superfícies.

Somente materiais e métodos de soldagem compatíveis com o material do corpo da válvula devem ser aplicados ao corpo da válvula.

Evite detritos e resíduos de soldagem no corpo da válvula e no módulo de função. O corpo da válvula deve ficar livre de tensões (cargas externas) após a instalação.

As válvulas não devem ser montadas em sistemas em que o lado de saída da válvula fique aberto para a atmosfera. O lado de saída da válvula deve estar sempre conectado ao sistema ou adequadamente tapado, por exemplo, com uma placa de extremidade soldada.

Montagem

Remova os detritos da soldagem e qualquer sujeira da tubulação e do corpo da válvula antes da montagem. Verifique se os o-rings estão intactos antes de substituir o módulo de função. Se possível, aplique um pouco de óleo de refrigeração para facilitar a inserção e proteger os o-rings. Verifique se a graxeta superior não foi danificada. Se a superfície foi danificada ou a graxeta foi entortada, ela deve ser substituída.

Torque de aperto (fig. 6)

Aperte a tampa com uma chave de torque nos valores indicados na tabela.

Cores e identificação

As válvulas ICLX são cromadas com zinco de fábrica. A cromatização de zinco não cobre as conexões de solda. Se for necessário mais proteção contra corrosão, as válvulas podem ser pintadas.

A superfície externa do corpo da válvula deve ser protegida contra corrosão com um revestimento adequado depois da instalação, envolvendo a soldagem e a consequente montagem.

Recomenda-se proteger a placa de identificação ao pintar a válvula.



Nota importante para as válvulas ICLX:

A válvula ICLX é mantida em posição aberta através do acionamento de gás quente. O gás quente condensa-se devido a baixa temperatura da válvula isto proporciona a formação de líquido sob o servo-pistão. Quando os pilotos solenóides mudarem seu estado para fechar a ICLX, a pressão no servo-pistão fica equilibrada com a pressão de sucção através do piloto solenóide.

Essa equalização leva tempo, porque há líquido condensado na válvula. O tempo exato decorrido desde quando as válvulas piloto mudam a posição para concluir o fechamento da ICLX irá depender da temperatura e pressão do refrigerante, assim como o tamanho da válvula. Logo o tempo exato de fechamento para as válvulas não pode ser determinado, mas em geral em temperaturas mais baixas os tempos de fechamento se tornam mais longos.

É muito importante levar em consideração os tempos de fechamento quando o descongelamento por gás quente é realizado em evaporadores.

Além disso, devem ser tomadas medidas para garantir que a válvula de fornecimento de gás quente para o degelo não seja aberta antes de que a ICLX na linha de sucção esteja completamente fechada. Se a válvula de fornecimento de gás quente for aberta antes que ICLX na linha de sucção, além de proporcionar perda de energia, provocará situações potencialmente perigosas que podem surgir devido ao "golpe hidráulico/aríete". Em válvulas ICLX, a segunda etapa acionada por mola pode ser induzida a golpes por gás e líquido, sendo forçada pela válvula a um Δp 1,5 bar em toda a ICLX. O resultado final pode provocar graves danos à válvula.

Como regra geral, um tempo de fechamento de 2 minutos pode ser usado como um ponto de partida. O tempo de fechamento ideal para cada sistema individual deve ser determinado no arranque inicial da fábrica, nas condições operacionais desejadas. Recomenda-se verificar se o tempo de fechamento adotado necessita ser alterado após atingir as condições de regime operacional (pressão de sucção, temperatura da válvula, ambiente, etc.). Quando o tempo ideal de fechamento for identificado, recomenda-se adicionar uma margem de segurança de 30 seg. ao encerramento ideal.

Manutenção

Serviço

As válvulas ICLX podem ser desmontadas para fins de serviço.

Somente engenheiros de refrigeração qualificados e treinados estão autorizados a operar as válvulas ICLX.

Não abra a válvula enquanto a mesma ainda estiver sob pressão.

O alívio de pressão pode ser realizado ao cuidadosamente abrir o eixo de operação manual. Pequenas ranhuras ao longo da rosca liberarão refrigerante para a atmosfera. Esta operação só deve ser realizada depois de tomar as devidas medidas preventivas referentes à legislação local.

O módulo de função pode ser retirado aplicando-se uma força vertical nas ranhuras mostradas na figura 3.

Após a abertura e remoção do módulo de função:

- Verifique se os o-rings no módulo de função não foram danificados.
Uma válvula com um o-ring danificado pode não operar de acordo com a especificação.
- O conjunto do inserto e do pistão pode ser desmontado de acordo com as figuras 8b e 8c. Tenha cuidado ao remover o anel de retenção (fig. 8b, posição 7). O anel de retenção (fig. 8b, posição 7) está submetido à força da mola comprimida (fig 8b, posição 5).



Tenha cuidado para não danificar os dois assentos de vedação mostrados na fig. 8b e 8c uma vez que qualquer deformação da superfície do aço levará ao mau funcionamento da válvula

- Verifique se há desgaste e arranhões nos pistões, cilindros e placas e substitua-os se necessário.
- Verifique se o movimento dos pistões e dos assentos de válvula está livre e com pouco atrito.

Substituição das Placas da Válvula (peças de desgaste comum)

É possível substituir as duas placas da válvula PTFE (fig. 8c, posição 2 e posição 5) seguindo a fig. 9 e estas instruções:

A fig. 9a, posição 1, mostra uma ferramenta específica que se encaixa no padrão do orifício do retentor de vedação (posição 3) do conjunto do pistão.

Como mecanismo de proteção ao desaparafusar o retentor de vedação, recomenda-se que seja feito um arranjo de dois pinos de aço que se encaixam nos orifícios hexagonais fêmea dos parafusos Allen (fig. 8c, posição 9), presos em um torno (fig. 9a, posição 2).

Uma vez que o retentor de vedação é removido, a placa da válvula (posição 4) pode ser retirada.

Mova os dois pinos de aço (fig. 9b, posição 2) para uma posição mais alta no torno, de modo a permitir que o pistão de purga (bleed piston) (fig. 9b, posição 3) seja deslizado para baixo e exponha dois orifícios alongados (posição 4). Enquanto houver acesso aos orifícios (posição 4), uma barra de aço (posição 5) com dimensões semelhantes é inserida através dos dois orifícios opostos com a ferramenta na posição 1 (ou ferramenta similar de tipo garfo) preenchendo a barra.

Solte o pistão principal (fig. 9b, posição 6).

Para desmontar o último retentor de vedação é recomendado usar um mandril com três pontas suspensas para evitar a deformação das superfícies (fig. 9c).

Prenda o pistão de purga (bleed piston) cuidadosamente ao mandril na superfície (posição 1). Bloquee a rotação do mandril e solte o retentor de vedação com uma ferramenta (posição 2) fabricada para tal fim.

Quando o retentor de vedação for removido, a placa da válvula remanescente (posição 3) poderá ser retirada.

A remontagem do pistão é feita em ordem inversa. Os valores de torque para as diferentes juntas são mostrados na fig. 9.

Montagem

Remova qualquer resíduo do corpo antes de montar a válvula. Assegure-se de que os canais da válvula não estejam bloqueados por partículas.
Se possível, aplique um pouco de óleo de refrigeração para facilitar a inserção e proteger os o-rings.

Torque de aperto (fig. 6)

Aperte a tampa com uma chave de torque nos valores indicados na tabela.

Mudando da função de dois estágios para um estágio

A válvula ICLX é configurada de fábrica com dois estágios de abertura. Para mudar as características de abertura para um só estágio, faça o seguinte:

- Remova o módulo de função do corpo da válvula (fig 3.).
- Remova o anel de travamento, o retentor da mola superior, a mola e o retentor da mola inferior (fig. 4).
- Troque os dois parafusos (fig 8c, posição 9).
- O comprimento dos dois parafusos corresponde à característica desejada da válvula e deve ser aplicado de acordo com a tabela (fig. 4).
- Depois de trocar os parafusos, a válvula pode ser remontada.

Dispositivo de abertura manual (fig. 7)

Modo de operação normal

Para que a válvula opere normalmente sob a influência das válvulas piloto, o eixo do dispositivo de operação manual precisa ser virado completamente no sentido horário até que o anel de travamento (A) fique no acima da prensa cabo.

Abertura forçada manualmente

Para abrir manualmente a válvula, o eixo do dispositivo de operação manual precisa ser virado completamente no sentido anti-horário até atingir a parada mecânica.

Comissionamento

O tempo necessário para assegurar o total fechamento da válvula ICLX depende do tamanho e da aplicação da válvula e deve ser investigado no local. O ideal deve ser determinado durante o comissionamento.

Utilize somente peças originais Danfoss, incluindo O-rings e gaxetas para substituição. Os materiais das peças novas são certificados para o refrigerante relevante.

Em caso de dúvidas, entre em contato com a Danfoss

Os desenhos são somente para ilustração, não são para dimensionamento ou construção.

安装

制冷剂

适用于所有常用的不可燃制冷剂，包括 R717 和 R744 (CO₂)，以及所有非腐蚀性气体/液体。不推荐易燃的碳氢制冷剂。阀门应使用在密封的制冷系统内部。如需了解更多信息请咨询 Danfoss。

温度范围

-60/+120°C (-76/+248°F)

压力

阀门的最大工作压力为 52 bar g (754 psi g)。

应用

ICLX 一步或两步式电磁阀可应用在制冷系统的吸入管路中，在高压差情况下，实现阀门的安全开启。其典型应用是在大型工业制冷系统中，用做需热气融霜的蒸发器回气管电磁阀。例如采用氨、氟化制冷剂或 CO₂ 的大型工业制冷系统在热气除霜后。

ICLX 分两步开启：

第一步是在电磁导阀通电后开启大约 10% 的容量。
第二步是在阀门压差达到大约 1 bar 时自动打开。

外部压力

对 ICLX 一步或两步式电磁阀施加的外部压力应该总是比阀门入口压力至少高出 1.5 bar。这会让阀门的 MOPD 达到 28 bar。如果外部压力比阀门入口压力高出 2 bar，ICLX 的 MOPD 将达到 40 bar。

电气连接

ICLX 阀门采用常闭型设计。为了确保阀门以常闭方式工作，必须在顶盖上标有 NC 的先导孔上安装 EVM NC 导阀，在 NO 孔上安装 EVM NO 导阀，并将外部压力连接到标注 E 的接口处 (图 2)。要让阀门正常开启，需要同时对两个导阀通电，也就是说，两个导阀可以共用一个信号。

线圈要求

两个线圈的防护等级都必须达到 IP67。
EVM NC: 10W ac (或更高) —— MOPD 不超过 21 bar 的情况下
EVM NO: 20W ac, MOPD 为 21 → 40 bar 的情况下
EVM NO: 10W ac (或更高)



如果阀门处于常开状态下的压差超过 1 bar (15 psig) 时，阀门会功能失常。这种情况下，阀门的第二步开启会被关闭。

只要在如图 8a、位置 11 所示的位置放上吊环螺栓，就能抬起阀门/阀体。

指南

安装阀门时，箭头必须和流向保持一致 (见图 2)。可将顶盖相对于阀体旋转 4 个 90°。ICLX 150

安装阀门时，必须将阀杆向上 15°/15° 放置 (见图 1b)。

ICLX 100 和 125

安装阀门时，导阀必须指向图 1a 中所示的某一个方向。禁止将导阀朝下 (任何角度) 安放。

如果在安装 ICLX 阀门时，使导阀沿垂直方向放置 (见图 1a)，注意要使常开型 EVM 处于较低位置。必要时请旋转顶盖。

阀门配有一个手动开启阀杆。必须将外部导压管连接到主管路的上端，以免来自装置的污物和油进入导压管。

该阀门可以承受很高的内部压力。但是，管道系统的设计应避免液阱并减少热膨胀所造成的液压风险。必须确保该阀门不受系统中“液锤”等压力动态的影响。

焊接 (图 5 和 8a)

若是采用控温焊接法或是不产生焊屑的其他焊接法，焊接时可以不必要拆解阀门。

焊接前可以拆下顶盖 (图 8a，位置 2) 和功能模块 (图 8a，位置 3)，以免 O 型圈和功能模块内的特氟龙 (PTFE) 受损。

如图 3 所示，只要对沟槽施加一个垂直方向的力，就能将功能模块向上取出。此外，为了实现外部抬起，可以旋入额外的吊环螺栓，如图 8a、位置 11 所示。



密封的 ICLX 阀门的内表面和焊接端都经过抗腐蚀处理。

为了保持抗腐蚀效果，须等到焊接/铜焊时，才能拆解阀门。

如果将功能模块留在阀体上，即使时间极短，也必须对功能模块采取其他保护措施——在模块上套一个聚乙烯保护袋，或者在模块表面涂一层防锈剂 (例如冷冻油或 BRANOROL)。

只能在阀体上使用与阀体材料相容的材料和焊接方法。

不要让焊屑和污物进入阀体和功能模块。安装好以后，不能让阀体承受任何压力 (外部负载)。

请勿将阀门安装在阀门出口侧与外部环境接通的系统中。阀门出口侧必须始终与系统连接或封住相应端口，例如用焊接盲板封堵。

组装

在组装之前清除管道和阀体中的焊接碎屑和灰尘。将功能模块安装回阀体之前，检查 O 型圈是否完好无损。如有可能，在上面涂一些冷冻油，以减小插入时的阻力，保护 O 型圈冷冻油。检查顶部垫片是否受损。如果垫片表面受损或者弯曲，必须更换垫片。

紧固 (图 6)

按照表中给出的力矩值，用转矩扳手上紧顶盖。

色彩和识别

ICLX 阀门已在出厂前进行了镀锌处理。然而此处理没有覆盖到阀门的焊接部分。如果需进一步的防腐蚀保护，可以为阀门喷漆处理。

完成焊接、装配等安装程序后，必须用适当的优质漆料，对阀体的外表面进行抗腐蚀保护。建议在重新喷漆时，做好对信息识别 (ID) 牌的保护。



关于 ICLX 阀门的重要说明：
ICLX 阀门在热气作用下保持开通。热气在冷的阀门内冷凝，在伺服活塞下方冷凝为液体。当导阀改变状态以关闭 ICLX 时，伺服活塞下的压力与经过导阀 (位置 2) 的吸气压力将趋于平衡。达到平衡需要一段时间，因为阀门内存在冷凝液体。从导阀开关发生变化到 ICLX 完全关闭，所需的确切时间取决于温度、压力、制冷剂 and 阀门尺寸。因此，我们无法准确给出阀门关闭所需的时间，但一般来说，温度越低，时间越长。

对蒸发器进行热气除霜时，必须考虑阀门关闭所需的时间，这非常重要。必须采取相关措施，确保吸入管路中的 ICLX 完全关闭之前，热气供给阀不会打开。如果吸入管路中的 ICLX 尚未关闭，热气阀就已打开，则会造成大量的能量流失，还可能因为“液击”而发生危险。在弹簧处于被压缩的第二阶段，如果气体和液体在 ICLX 压差 $\Delta p > 1.5 \text{ bar}$ 的情况下通过阀门，就会造成液击。最终可能使阀门严重受损。

根据经验，开始的时候通常可以设定 2 分钟的关闭时间。工厂在所需工作条件下初始启动之时，就必须为每个单独的系统确定其最佳的关闭时间。如果工作条件发生改变 (比如吸气压力、环境温度等发生了改变)，最好检查一下关闭时间是否需要作相应改变，另外在阀门运行期间也应检查关闭时间。在确定最佳关闭时间之后，建议在此之上再增加 30 秒的安全余量。

维护

服务

需要检修时，可以对 ICLX 阀门进行拆解。只允许通过专业训练的制冷工程师对 ICLX 阀门进行检修。

切勿在阀门承压的情况下拆开阀门。如需泄压，请小心打开手动阀杆。制冷剂会沿着螺纹旁的小凹槽排放到周围空气中。进行此项操作时，必须依照当地法律法规采取适当的措施。

如图 3 所示，只要对沟槽施加一个垂直方向的力，就能将功能模块向上取出。

拆开并取出功能模块后：

- 检查功能模块上的 O 型圈是否受损。O 型圈受损可能导致阀门无法按规格要求正常工作。
- 插入件和活塞组件的拆卸过程如图 8b 和 8c 所示。拆卸扣环时须小心谨慎 (图 8b，位置 7)。扣环 (图 8b，位置 7) 将承受来自压缩弹簧 (图 8b，位置 5) 的压力。



注意不要损坏图 8b 和 8c 中的两个密封阀座，因为钢表面一旦发生任何程度的变形，都会导致阀门功能失常。

- 检查活塞、柱体和阀座的磨损及刮擦情况，必要时予以更换。
- 检查活塞和阀座能否自由运动，摩擦力是否足够低。

更换阀板**(正常磨损元件)**

两个 PTFE 阀垫 (图 8c, 位置 2 和位置 5) 是可以更换的, 方法如图 9 所示。

图 9a 的位置 1 是一个工具 (专用), 将它插入活塞组件的密封阀座 (位置 3) 的孔中。

拆卸密封阀座时, 建议用台钳夹住两个钢销 (图 9a, 位置 2), 将它们装入六角螺栓 (图 8c, 位置 9) 的六角形螺孔处。

拆下密封承座后, 便可以向上取出阀板 (位置 4)。

抬高两个钢销 (图 9b, 位置 2), 让泄流活塞 (图 9b, 位置 3) 向下滑, 露出两个细长的小孔 (位置 4)。

露出小孔 (位置 4) 后, 将一个尺寸相配的钢条 (位置 5) 插入两个相对的小孔中, 位置 1 的工具 (或类似的叉形工具) 位于中央。

拧松主活塞 (图 9b, 位置 6)。

拆卸最后一个密封阀座时, 建议用一个三点悬架夹套来操作, 以免表面变形 (图 9c)。

小心夹住泄流活塞, 置于表面位置 1 的芯轴上。阻止芯轴旋转, 再用专用工具 (位置 2) 拧松密封阀座。

拆下密封承座后, 可以将剩下的阀板 (位置 3) 进行更换。

按照相反的顺序, 将活塞组件重新装配好。不同接点的扭矩值如图 9 所示。

组装

在组装阀门之前应清除阀体上的所有灰尘。检查阀门的各个通道, 确保未被颗粒或类似物体阻塞。

如有可能, 在上面涂一些冷冻油, 以减小插入时的阻力, 保护 O 型圈。

紧固 (图 6)

按照表中给出的力矩值, 用转矩扳手上紧顶盖。

从两步式改为一步式

ICLX 阀门在出厂时被设置为两步式。要将开通特性改为一步式, 必须依照下列步骤进行:

- 从阀体上取下功能模块 (图 3)。
- 取下锁环、上方弹簧承座、弹簧和下方弹簧承座 (图 4)。
- 更换两颗螺栓 (图 8c, 位置 9)。
- 两颗螺栓的长度对应于所需的阀门特性, 应当按照表格选用 (图 4)。
- 更换螺栓后, 将阀门重新装配好。

手动开通装置 (图 7)**正常工作模式**

要让阀门在导阀的影响下正常工作, 须将手动操作装置的旋杆沿顺时针方向旋转, 直至锁环 (A) 位于填料函的顶部。

手动强制开通

要手动开通阀门, 需要逆时针旋转手动操作装置的旋杆, 直至碰到机械挡块。

调试

ICLX 阀门完全关闭所需的时间取决于阀门尺寸和应用, 这要在现场确定。应当通过现场调试来确定最佳关闭时间。

只可使用 Danfoss 原厂元件, 包括用于更换的 O 型圈和垫片。新零件的材料应经证明适合相关制冷剂。

如有疑问请与 Danfoss 联系。

图示仅用于说明, 并不表示实际的尺寸或结构。

Montaż zaworu

Czynniki chłodnicze

Mogą być używane ze wszystkimi powszechnie stosowanymi, niepalnymi czynnikami chłodniczymi łącznie z R717 i R744 (CO₂) i wszystkimi gazami i cieczami niepowodującymi korozji. Nie zaleca się stosowania z łatwopalnymi węglowodorami. Zaleca się je stosować wyłącznie w obiegach zamkniętych. Aby uzyskać więcej informacji, należy skontaktować się z firmą Danfoss.

Zakres temperatur

-60/+120°C (-76/+248°F)

Ciśnienie

Maksymalne ciśnienie robocze zaworów wynosi 52 bar (g) (754 psi g).

Zastosowanie

Zawory ICLX wykorzystuje się w rurociągach ssawnych do otwierania przy wysokich różnicach ciśnień, np. po odszranianiu gorącym gazem w dużych przemysłowych instalacjach chłodniczych w których stosuje się amoniak, fluorowcopochodne czynniki chłodnicze lub CO₂.

Zawory ICLX otwierają się dwustopniowo: W pierwszym stopniu otwarcia, po wzbudzeniu elektromagnetycznych zaworów pilotowych, przepustowość wynosi około 10%. Drugi stopień otwiera się automatycznie, gdy różnica ciśnień przed i za zaworem osiągnie wartość około 1,25 bara.

Ciśnienie sterujące

Ciśnienie sterujące doprowadzane do zaworu ICLX zawsze powinno być o 1,5 bara wyższe od ciśnienia na wlocie zaworu. Dzięki temu maksymalna różnica ciśnień otwarcia (MOPD) zaworu będzie wynosić 28 bar. Jeśli będzie ono o 2 bary wyższe od ciśnienia na wlocie, MOPD zaworu ICLX wynosi 40 barów.

Połączenia elektryczne

Zawór ICLX jest zaworem normalnie zamkniętym (NC). Aby zawór pracował prawidłowo, należy elektromagnetyczny zawór pilotowy NC zamontować w gnieździe zaworu głównego, obok wlotu ciśnienia sterującego (rys. 2). W przypadku normalnej pracy do zaworów pilotowych należy równocześnie doprowadzić zasilanie, tzn., że dla obu zaworów sterujących można zastosować jeden sygnał.

Wymagania dotyczące cewki

Obie cewki muszą posiadać stopień ochrony IP67.
EVM NC: 10W AC (lub więcej) dla MOPD o wartości do 21 barów
EVM NC: 20W AC dla MOPD 21 → 40 barów
EVM NO: 10W AC (lub więcej)



Zawór będzie działał wadliwie, gdy podczas przepływu czynnika chłodniczego różnica ciśnień przed i za zaworem przekroczy 1 bar (15 psig). W takim przypadku może nastąpić zamknięcie drugiego stopnia.

Zawór/korpus zaworu można podnosić za pomocą śrub oczkowych ustawionych w sposób przedstawiony na rys. 8a, poz. 11.

Ustawienie

Zawór należy zamontować w taki sposób, aby strzałka wskazywała kierunek przepływu (rys. 2).

Górną pokrywę można obracać o kąt 4 x 90° względem korpusu zaworu.

ICLX 150

Zawór należy montować z wrzecionem skierowanym do góry i maksymalnie odchylnym od pionu o kąt 15° (rys. 1b).

ICLX 100 i 125

Zawór należy zamontować w taki sposób, aby zawory pilotowe były zwrócone w jedną ze stron pokazanych na rys. 1a. Montaż z zaworami pilotowymi skierowanymi w dół (pod jakimkolwiek kątem) jest niemożliwy. Jeśli zawór ICLX jest montowany z zaworami pilotowymi ustawionymi pionowo (patrz rys. 1a), należy pamiętać, że zawór EVM NO powinien znajdować się na dole. W razie potrzeby należy obrócić górną pokrywę.

Zawór jest wyposażony w mechanizm ręcznego otwierania. Należy zwrócić uwagę aby rurociąg ciśnienia sterującego został podłączony od góry do rurociągu głównego, aby zabrudzenia i olej pochodzący z instalacji nie dostawał się do mechanizmu sterującego.

Zawór został tak zaprojektowany, aby wytrzymał wysokie ciśnienie wewnętrzne. Jednak układ rurociągów powinien być zaprojektowany tak, aby uniknąć zamkniętych przestrzeni cieczowych i zmniejszyć ryzyko wzrostu ciśnienia spowodowanego rozszerzalnością cieplną. Należy zapewnić ochronę zaworu przed impulsami wysokiego ciśnienia wynikającymi z uderzeń cieczowych.

Spawanie (rys. 5 i 8a)

W przypadku metod spawania z kontrolą temperatury, przy których nie powstają odpryski, zawór może pozostać zmontowany na czas spawania.

Górna pokrywa (rys. 8a, poz. 2) i element roboczy (rys. 8a, poz. 3) mogą zostać zdemontowane przed rozpoczęciem spawania, aby zabezpieczyć przed uszkodzeniem pierścienia o-ring i teflon (PTFE) w module roboczym. Moduł roboczy można wyjąć, przykładając do rowków siłę działającą, w pionie w sposób pokazany na rys. 3. W celu ułatwienia wyjmowania można wkręcić dodatkowe śruby oczkowe, jak pokazano na rys. 8a, poz. 11.



Na powierzchniach wewnętrznych i końcówkach do spawania zaworu ICLX zastosowano zabezpieczone antykorozyjne.

Aby zachować skuteczność tego zabezpieczenia antykorozyjnego, ważne jest, aby zawór został rozmontowany tuż przed rozpoczęciem procesu spawania / lutowania.

W sytuacji, gdy moduł roboczy ma pozostać zdemontowany nawet przez krótki czas, należy zapewnić dodatkową ochronę modułu przez umieszczenie go w polietylenowym worku lub nałożenie na powierzchnię środka antykorozyjnego (np. olej chłodniczy lub BRANOROL).

Do spawania korpusu zaworu można stosować tylko materiały i metody spawania zgodne z materiałem obudowy.

Uważać, aby do wnętrza korpusu zaworu i modułu roboczego nie dostały się odpryski spawalnicze i inne zabrudzenia. Po montażu korpus zaworu nie może podlegać zewnętrznym naprężeniom mechanicznym.

Zawory te nie mogą być montowane w instalacjach, w których wylot zaworu jest otwarty do atmosfery. Wylot zaworu musi być zawsze podłączony do instalacji lub należyce zaślepiiony np. przyspawaną dennicą.

Montaż elementów zaworu

Przed złożeniem zaworu należy usunąć z rur oraz z korpusu zaworu odpryski spawalnicze i wszelkie zanieczyszczenia.

Przed zamontowaniem modułu roboczego sprawdzić, czy pierścienie o-ring nie zostały uszkodzone. Jeśli jest to możliwe, nałożyć niewielką ilość oleju chłodniczego, aby ułatwić montaż i zabezpieczyć pierścienie o-ring. Sprawdzić, czy uszczelka górna nie uległa uszkodzeniu. W przypadku uszkodzenia powierzchni lub wygięcia uszczelki należy ją wymienić.

Dokręcanie (rys. 6)

Dokręcić górną pokrywę kluczem dynamometrycznym momentem podanym w tabeli.

Kolory i identyfikacja

Zawory ICLX są fabrycznie zabezpieczone powłoką chromowo-cynkową. Powłoka chromowo-cynkowa nie pokrywa końcówek do spawania. Jeżeli wymagana jest większa ochrona antykorozyjna, zawory można pomalować.

Po złożeniu i zamontowaniu zaworu zewnętrzną powierzchnię korpusu należy zabezpieczyć odpowiednią powłoką ochronną. Przed przystąpieniem do malowania zaworu zaleca się zabezpieczenie tabliczki znamionowej.



Uwaga ważna dla zaworów ICLX:

Zawór ICLX jest utrzymywany w pozycji otwartej przez ciśnienie gorącego gazu. Gorący gaz skrapla się w zimnym zaworze, co powoduje zbieranie się cieczy pod tłokiem serwo-mechanizmu. Gdy zawory pilotowe zmieniają stan w celu zamknięcia zaworu ICLX, ciśnienie pod tłokiem serwo-mechanizmu wyrównuje się z ciśnieniem za zaworem przez zawór pilotowy. Wyrównywanie ciśnień wymaga czasu, ponieważ w zaworze znajduje się skroplony płyn.

Dokładny czas wymagany od zmiany położenia zaworów pilotowych do pełnego zamknięcia zaworu ICLX zależy od temperatury, ciśnienia, czynnika chłodniczego i wielkości zaworu. Z tego względu nie można podać dokładnego czasu zamknięcia zaworów, ale ogólnie rzecz ujmując, niższe temperatury powodują, że czasy zamykania są dłuższe.

Bardzo ważne jest, aby wziąć pod uwagę czasy zamykania zaworów, przy przeprowadzaniu odtajania parowników gorącym gazem. Muszą być podjęte kroki, zapewniające, że zawór doprowadzający gorący gaz do chłodnicy nie będzie otwarty przed całkowitym zamknięciem zaworu ICLX w przewodzie ssawnym. Jeśli zawór doprowadzający gorący gaz zostanie otwarty przed zamknięciem zaworu ICLX w przewodzie ssawnym, nastąpi strata znacznej ilości energii i mogą powstać niebezpieczne sytuacje wynikające z uderzeń hydraulicznych. W zaworach ICLX drugi stopień, otwierany jest siłą sprężyny, i może nastąpić jego zamknięcie jeżeli spadek ciśnienia na zaworze, powstający na skutek przepływu czynnika wyniesie $\Delta p > 1,5$ bara. Końcowym rezultatem mogłoby być poważne uszkodzenie zaworu.

Za punkt wyjścia przyjmuje się czas zamykania wynoszący 2 minuty. Optymalny czas zamykania dla każdego systemu musi zostać określony przy pierwszym uruchomieniu instalacji w planowanych warunkach eksploatacyjnych. Zalecane jest sprawdzenie, czy czas zamykania musi zostać zmieniony w przypadku zmiany warunków (ciśnienia ssania, temp. otoczenia itp.). Ponadto czas zamykania należy sprawdzać podczas serwisowania zaworu. Po dobraniu optymalnego czasu zamykania zaleca się dodanie marginesu bezpieczeństwa wynoszącego 30 sekund do optymalnego czasu zamykania.

POLSKI

Konservacja

Serwis

Zawory ICLX mogą być rozmontowywane w celu przeprowadzenia czynności serwisowych.

Wyłącznie wykwalifikowani i przeszkoleni technicy urządzeń chłodniczych mogą serwisować zawory ICLX.

Gdy wewnątrz zaworu nadal panuje ciśnienie, nie wolno go otwierać.

Ciśnienie można zredukować, ostrożnie wkręcając wrzeciono ręcznego otwierania. Niewielkie rowki wzdłuż gwintu pozwolą wypuścić czynnik chłodniczy na zewnątrz. Czynność tą należy przeprowadzić dopiero po zapewnieniu odpowiednich środków ostrożności zgodnych z lokalnymi przepisami. Moduł roboczy można wyjąć, przykładając do rowków siłę działającą pionowo do góry, w sposób pokazany na rys. 3.

Po otwarciu i zdemontowaniu modułu roboczego:

- Sprawdzić, czy pierścienie o-ring modułu roboczego nie uległy uszkodzeniu. Zawór z uszkodzonym pierścieniem O-ring może nie działać zgodnie z przeznaczeniem.
- Moduł roboczy i zespół tłoka można rozmontować zgodnie z rysunkami 8b i 8c. Zachować szczególną ostrożność podczas demontażu pierścienia blokującego (rys. 8b, poz. 7). Na pierścieniu ten działa siła ściśniętej sprężyny (rys. 8b, poz. 5).



Należy zwrócić uwagę, aby nie uszkodzić dwóch gniazd uszczelnienia pokazanych na rys. 8b i 8c gdyż każde uszkodzenie stalowej powierzchni spowoduje wadliwe działanie zaworu.

- Sprawdzić, czy tłoki, cylindry i uszczelki zaworu nie są zużyte lub porysowane, a w razie konieczności wymienić je na nowe.
- Sprawdzić, czy ruch tłoków i gniazd zaworowych jest swobodny i nie powoduje dużych oporów.

Wymiana płytek zaworu (części podlegające normalnemu zużyciu)

Istnieje możliwość wymiany dwóch płytek PTFE zaworu (rys. 8c, poz. 2 i 5) poprzez wykonanie czynności opisanych na rys. 9 i następującej instrukcji:

Na rys. 9a, (1) przedstawiono narzędzie (wykonane specjalnie do tego celu), które pasuje do układu otworów elementu ustalającego uszczelnień (3) zespołu tłoka.

W celu odkręcenia elementu ustalającego uszczelnień zaleca się użyć zestawu dwóch kołków stalowych (jako elementu kontrującego) których, rozstaw będzie identyczny jak gniazda imbusowych śrub sześciokątnych rys. 8c (9). Kołki należy zamocować w imadle jak na rys. 9a (2).

Po wykręceniu, element ustalającego rys. 9a (4) należy wyjąć razem z uszczelnieniem drugiego stopnia.

Dwa sześciokątne, stalowe kołki rys. 9b, (2) należy wysunąć do góry z imadła, aby umożliwić wsunięcie tłoka pomocniczego rys. 9b, (3) i odsłonięcie dwóch podłużnych otworów (4).

Gdy otwory (4) będą już odsłonięte należy wprowadzić stalowy kołek blokujący (5), o odpowiednich wymiarach, przez dwa przeciwległe otwory. Następnie wsunąć do otworu centralnego, narzędzie (1) do oporu na kołku (5).

Wykręcić główny tłok rys. 9b, (6).

Aby podczas demontażu ostatniego elementu ustalającego uszczelnienia uniknąć odkształcenia powierzchni, zaleca się użycie uchwytu tokarskiego rys. 9c.

Powierzchnię tłoka pomocniczego (1) ostrożnie zacisnąć w uchwycie. Zablokować uchwyt przed obracaniem i odkręcić element ustalający uszczelnienia za pomocą narzędzia (2) wykonanego w tym celu.

Gdy element ustalający uszczelnienia zostanie usunięty, będzie można wymienić drugie uszczelnienie zaworu (3).

Ponowny montaż zespołu tłoka przeprowadza się w odwrotnej kolejności. Wartości momentów dla różnych połączeń podano na rys. 9.

Montaż elementów zaworu

Przed zmontowaniem zaworu oczyścić dokładnie wnętrze korpusu. Sprawdzić, czy wszystkie kanały w zaworze są drożne i nie zostały zablokowane przez zabrudzenia itp.

O ile to możliwe, nałożyć niewielką ilość oleju chłodniczego, aby ułatwić montaż i zabezpieczyć pierścienie o-ring.

Dokręcenie (rys. 6)

Dokręcić górną pokrywę kluczem dynamometrycznym momentem podanym w tabeli.

Zmiana trybu pracy dwustopniowej na jednostopniową

Zawór ICLX jest ustawiony fabrycznie jako dwustopniowy. Aby zmienić sposób otwierania należy wykonać następujące czynności:

- Wymontować moduł roboczy z korpusu zaworu (rys. 3).
- Zdemontować pierścień blokujący, górny element ustalający sprężyny, sprężynę i jej dolny element ustalający (rys. 4).
- Wymienić dwie śruby (rys. 8c, poz. 9).
- Długość tych dwóch śrub odpowiada trybowi pracy zaworu i należy ją dobrać zgodnie z tabelą (rys. 4).
- Po zamianie śrub zawór można ponownie zmontować.

Mechanizm otwierania ręcznego (rys. 7)

Tryb pracy normalnej

Aby zawór pracował normalnie pod wpływem działania zaworów pilotowych, wrzeciono mechanizmu ręcznego otwierania należy wkręcić zgodnie z ruchem wskazówek zegara aż pierścień ustalający (A) oprze się na dławnicy.

Wymuszone ręcznie otwarcie

Aby ręcznie otworzyć zawór, wrzeciono mechanizmu ręcznego otwierania należy wykręcić przeciwnie do ruchu wskazówek zegara aż do osiągnięcia oporu mechanicznego.

Rozruch

Czas niezbędny dla zapewnienia pełnego zamknięcia zaworu ICLX zależy od wielkości zaworu i jego zastosowania. Parametr ten należy sprawdzić po zamontowaniu. Optymalny czas należy określić w trakcie rozruchu.

Używać wyłącznie oryginalnych części zamiennych Danfoss, łącznie z pierścieniami o-ring i uszczelkami. Materiały nowych części posiadają atest potwierdzający możliwość użytkowania z danym czynnikiem chłodniczym.

W razie wątpliwości należy skontaktować się z firmą Danfoss.

Rysunki zostały zamieszczone wyłącznie w celu zilustrowania instrukcji i nie wolno ich używać podczas wymiarowania i projektowania.

РУССКИЙ

Монтаж

Хладагенты

Используются со всеми традиционными негорючими хладагентами, включая R717, R744 (CO₂) и некоррозионными газами/жидкостями.

Не рекомендуется использование для работы с горючими углеводородными соединениями. Рекомендуется использовать клапан только в замкнутых контурах. Для получения более подробной информации обращайтесь в компанию Danfoss.

Диапазон температур

от -60 до +120 °C (от -76 до +248 °F)

Давление

Все клапаны разработаны для работы при максимальном давлении в 52 бар (изб.) (754 фунт/кв. дюйм (изб.)).

Применение

Клапан ICLX используется в линиях всасывания для открытия при высоком перепаде давления, например, после оттаивания горячим газом в крупных промышленных холодильных системах с аммиаком, фторсодержащими хладагентами или CO₂.

Клапан ICLX открывается в два этапа:

На первом этапе под действием пилотных электромагнитных клапанов, он открывается примерно на 10 % от своей пропускной способности.

На втором этапе происходит автоматическое открытие после того, как перепад давления на клапане достигает примерно 1 бар.

Внешнее давление

Внешнее давление, подаваемое на клапан ICLX, должно всегда быть на 1,5 бар выше, чем давление на входе клапана.

Это обеспечивает клапану максимальный открывающий перепад давлений (MOPD) в 28 бар.

Если внешнее давление на 2 бар выше, чем давление на входе, максимальный открывающий перепад давлений для клапана ICLX должен составлять 40 бар.

Электрическая проводка

Клапан ICLX имеет нормально закрытое исполнение. Для обеспечения штатной работы нормально закрытого клапана важно, чтобы пилотный клапан EVM NC был установлен в пилотный порт с маркировкой NC на верхней крышке, EVM NO - в порт с маркировкой NO, а внешнее давление подавалось в порт E (рис. 2). Для работы в штатном режиме оба пилота должны быть активированы одновременно, например, для обоих пилотов может быть использован один и тот же сигнал.

Требования к катушкам

Обе катушки должны иметь класс защиты IP67.

EVM H3: 10 Вт переменного тока (или выше) для максимального открывающего перепада давления до 21 бар

EVM H3: 20 Вт переменного тока для максимального открывающего перепада давления 21 → 40 бар

EVM NO: 10 Вт переменного тока (или выше)



Клапан будет работать со сбоями в системах, в которых перепад давления на клапане в открытом положении превышает 1 бар (15 фунт/кв. дюйм (изб.)). В этом случае второй этап открытия клапана прервется.

Клапан/корпус клапана может быть поднят посредством рым-болтов, расположение которых показано на рис. 8а, поз. 11.

Ориентация

При установке клапана стрелка должна указывать в направлении потока (рис. 2).

Верхняя крышка должна поворачиваться 4 x 90° относительно корпуса клапана.

ICLX 150

Клапан должен быть смонтирован таким образом, чтобы шток был направлен вверх 15°/15° (рис. 1b).

ICLX 100 и 125

При установке клапана пилоты должны указывать в одном из направлений, представленных на рис. 1а. Не допускается установка пилотов в направлении вниз (под любым углом).

Если клапан ICLX установлен таким образом, что пилоты имеют вертикальную ориентацию (см. рис. 1а), обеспечьте расположение клапана EVM NO в нижнем положении. При необходимости поворачивайте верхнюю крышку.

Клапан оснащен штоком ручного открытия. Убедитесь в том, что внешняя пилотная линия подсоединена к верхней стороне основной линии так, чтобы ни грязь, ни масло с установки не попадали в пилотную линию. Клапаны выдерживают очень высокое внутреннее давление. Тем не менее, система трубопроводов должна быть спроектирована таким образом, чтобы избежать появления участков скопления жидкого хладагента, и, следовательно, понизить риск роста давления при тепловом расширении. Необходимо удостовериться, что клапан защищен от резких изменений давления в системе, таких как «гидравлический удар».

Сварка (рис. 5 и 8а)

В случае применения методов сварки с контролем нагрева и методов сварки, обеспечивающих отсутствие сварочной окалины, клапан может оставаться собранным при выполнении сварочных работ.

Верхняя крышка (рис. 8а, поз. 2) и функциональный модуль (рис. 8а, поз. 3) могут быть сняты перед сваркой для предотвращения повреждения уплотнительных колец и флюоновой прокладки в функциональном модуле. Функциональный модуль может быть поднят вверх путем приложения вертикального усилия на прорезях, как показано на рисунке 3. для подъема могут быть навинчены дополнительные рым-болты, как показано на рис. 8а, поз. 11.



Внутренние поверхности и сварные соединения клапана ICLX прошли антикоррозионную обработку.

Чтобы поддерживать эффективность данной антикоррозионной обработки, необходимо убедиться в том, что клапан разбирается непосредственно перед выполнением сварки/пайки.

Если функциональные модули должны быть оставлены разобранными даже на короткий период времени, необходимо защитить их путем укладки в полиэтиленовый пакет или нанесения на их поверхности антикоррозионной защиты (например, холодильного масла или BRANOROL).

Должны использоваться только те материалы и методы сварки, которые совместимы с материалом корпуса клапана.

Избегайте попадания грязи и сварочной окалины в корпус клапана и функциональный модуль. После установки корпус клапана не должен подвергаться давлению (внешним нагрузкам).

Запрещается устанавливать клапаны в системах, где выпускная сторона клапана сообщается с атмосферой. Выпускная сторона клапана должна всегда подключаться к системе или быть должным образом перекрыта, например, при помощи приварной торцевой пластины.

Сборка

Перед сборкой удалите с труб и корпуса клапана сварочную окалину и всю грязь. Перед заменой функционального модуля убедитесь в том, что уплотнительные кольца не повреждены. По возможности нанесите какое-либо холодильное масло для облегчения установки и защиты уплотнительных колец. Убедитесь в том, что верхняя прокладка не повреждена. Если прокладка была согнута или ее поверхность повреждена, ее необходимо заменить.

Затяжка (рис. 6)

Затяните болты на верхней крышке при помощи динамометрического ключа до значений, указанных в таблице.

Покраска и идентификация

Клапаны ICLX являются оцинкованно-хромированными на заводе. Оцинковка и хромирование не покрывает сварные соединения. Если необходима дополнительная защита от коррозии, клапаны могут быть покрашены.

После монтажа, включая сварку и последующую сборку, необходимо обеспечить защиту наружной поверхности корпуса клапана от коррозии при помощи соответствующего финишного покрытия. При покраске клапана рекомендуется обеспечить защиту таблички с паспортными данными.



Важное замечание для клапанов ICLX:

Клапан ICLX поддерживается в открытом положении с помощью давления горячего газа. Горячий газ конденсируется на стенках холодного клапана и образует слой жидкости под сервопоршнем. Когда пилотные клапаны сработают на закрытие клапана ICLX, давление над сервопоршнем начнет выравниваться с давлением всасывания через пилотный клапан. Это выравнивание займет некоторое время, поскольку в клапане находится конденсированная жидкость.

Время с начала срабатывания пилотных клапанов до полного закрытия клапана ICLX зависит от температуры, давления, типа хладагента и размера клапана. Поэтому точное время закрытия клапана определить трудно, но, в общем случае, при более низких температурах время закрытия увеличивается.

Очень важно учитывать время закрытия клапана при оттаивании испарителя горячим газом. Необходимо соблюсти условие, чтобы клапан подачи горячего газа не был открыт до того, как будет полностью закрыт клапан ICLX в линии всасывания. Если клапан подачи горячего газа будет открыт до того, как полностью закроется клапан ICLX, будет потеряно много тепловой энергии, и могут возникнуть потенциально опасные ситуации, связанные с гидравлическим ударом. При перепаде давления $\Delta p > 1,5$ бар на клапанах ICLX на втором этапе открытия может произойти гидравлический удар, вызванный газом или жидкостью. В конечном итоге это может привести к серьезному повреждению клапана.

Как показывает опыт, время закрытия в 2 минуты можно использовать в качестве исходной точки. Оптимальное время закрытия для каждой отдельной системы должно определяться при первоначальном запуске установки в предусмотренных условиях эксплуатации. Рекомендуется проверять, необходимо ли изменить время закрытия в случае изменения условий (давление всасывания, температура окружающей среды и т. п.). Кроме того, время закрытия необходимо проверять при обслуживании клапана. После определения оптимального времени закрытия к нему рекомендуется прибавить запас по безопасности в 30 с.

РУССКИЙ

Техническое обслуживание**Обслуживание**

Клапаны ICLX могут быть разобраны в целях технического обслуживания.

К проведению технического обслуживания клапанов ICLX допускаются только квалифицированные и прошедшие обучение инженеры по холодильной технике. Запрещается открывать клапан, пока он находится под давлением.

Сброс давления может быть выполнен путем осторожного открытия штока ручного открытия. Небольшие прорезы вдоль резьбы выпустят хладагент наружу. Данная операция должна выполняться только после выполнения

предупредительных мер в соответствии с местным законодательством. Функциональный модуль может быть поднят

вверх путем приложения вертикального усилия на прорезях, как показано на рисунке 3.

После открытия и снятия функционального модуля:

- Убедитесь в том, что уплотнительные кольца функционального модуля не повреждены. Клапан с поврежденным уплотнительным кольцом не сможет работать в соответствии с техническими условиями.
- Функциональный модуль и поршень в сборе могут быть разобраны в соответствии с рис. 8b и 8c. Будьте осторожны при снятии стопорного кольца (рис. 8b, поз. 7), т.к. оно будет подвергаться воздействию усилия сжатой пружины (рис. 8b, поз. 5).



Будьте внимательны и не повредите два седловых уплотнения, показанных на рис. 8b и 8c, поскольку любая деформация стальной поверхности приведет к сбоям в работе клапана.

- Проверьте поршни, цилиндры и клапанные пластины на предмет износа и царапин и при необходимости замените их.
- Убедитесь в свободном, с низким уровнем трения ходе поршней и клапанных седел.

Замена клапанных пластин (обычные быстроизнашивающиеся детали)

Можно заменить две тефлоновые клапанные пластины (рис. 8c, поз. 2 и 5) согласно рис. 9 и следующим указаниям:

На рис. 9a, поз.1 изображен инструмент (специального назначения), который соответствует расположению отверстий фиксирующего уплотнения (поз. 3) поршня в сборе.

Для обеспечения стопора при отвинчивании фиксирующего уплотнения рекомендуется использовать два закрепленных в тисках стальных шплинта (рис. 9a, поз. 2), которые подходят для охватывающих шестигранных отверстий под болты с шестигранной головкой (рис. 8c, поз. 9).

Как только фиксирующее уплотнение будет снято, клапанная пластина (поз. 4) может быть извлечена.

Переместите два стальных шплинта (рис. 9b, поз. 2) в более высокое положение в тисках для того, чтобы позволить спусковому поршню (рис. 9b, поз. 3) соскользнуть вниз и открыть два продолговатых отверстия (поз. 4).

Поскольку имеется доступ к отверстиям (поз. 4), то стальной стержень (поз. 5) с соответствующими размерами вставляется в два противоположных отверстия, где он замыкается с помощью инструмента поз. 1 (или сходного вилкообразного инструмента).

Отвинтите основной поршень (рис. 9b, поз. 6).

Для разборки последнего фиксирующего уплотнения рекомендуется использование оправки с трехточечным упругим креплением (рис. 9c), чтобы предотвратить деформацию поверхностей.

Осторожно закрепите поверхность (поз. 1) спускового поршня на оправке. Зафиксируйте оправку во избежание ее вращения и отвинтите фиксирующее уплотнение предназначенным для этого инструментом (поз. 2).

Как только фиксирующее уплотнение будет снято, оставшаяся клапанная пластина (поз. 3) может быть извлечена.

Повторная сборка поршня выполняется в обратном порядке. Величина момента затяжки для различных соединений показана на рис. 9.

Сборка

Перед сборкой клапана удалите с корпуса всю грязь. Убедитесь в том, что никакие пазы клапана не засорены частицами или подобными веществами.

По возможности нанесите какое-либо холодильное масло для облегчения установки и защиты уплотнительных колец.

Затяжка (рис. 6)

Затяните болты на верхней крышке при помощи динамометрического ключа до значений, указанных в таблице.

Переход с двухступенчатого режима работы на одноступенчатый

Клапан ICLX имеет двухступенчатый режим в качестве заводской настройки. Чтобы изменить режим открытия клапана на одноступенчатый, необходимо выполнить следующее:

- Снять функциональный модуль с корпуса клапана (рис. 3).
- Снять стопорное кольцо, верхний стопор пружины, пружину и нижний стопор пружины (рис. 4).
- Заменить два болта (рис. 8c, поз. 9).
- Длина двух болтов соответствует желаемой характеристике клапана и должна задаваться в соответствии с таблицей (рис. 4).
- После замены болтов клапан может быть собран заново.

Шток ручного открытия (рис. 7)**Штатный режим**

Чтобы клапан работал в штатном режиме под управлением пилотных клапанов, шток ручного открытия должен быть полностью повернут по часовой стрелке до тех пор, пока стопорное кольцо (A) не окажется на поверхности сальника.

Принудительное ручное открытие

Чтобы открыть клапан вручную, шток ручного открытия должен быть полностью повернут против часовой стрелки до достижения механического упора.

Ввод в эксплуатацию

Время, необходимое для полного закрытия клапана ICLX, зависит от размера клапана и его области применения и должно измеряться на месте. Его оптимальное значение необходимо определить при вводе в эксплуатацию.

Для замены используйте только подлинные детали производства компании Danfoss, включая уплотнительные кольца и прокладки. Материалы новых деталей сертифицированы для соответствующего хладагента.

В случае возникновения вопросов обращайтесь в компанию Danfoss.

Чертежи приведены только для наглядности, а не для замеров или монтажа.

