

Data sheet

# Check & stop valve, SCA-X Check valve, CHV-X



SCA-X are check valves with a built-in shut-off valve function. SCA-X valves are available in angleway versions.

CHV-X are check valves only. CHV-X are available in both angleway and straightway versions.

The valves are designed to open at very low differential pressures, allow favourable flow conditions and are easy to disassemble for inspection and service.

The SCA-X is equipped with vented cap and has internal backseating enabling the spindle seal to be replaced whilst the valve still under pressure.

Laser cut V-ports provide excellent opening characteristics (SCA-X/CHV-X 50-125).

The valve cone has a built-in flexibility to ensure a precise and tight closing towards the valve seat.

A well balanced dampening effect between the piston and the cylinder gives an optimal protection during low loads and against pulsations.

## Features

- Applicable to HCFC, HFC, R717 (Ammonia), R744 (CO<sub>2</sub>), Propane, Butane, Iso-Butane and Ethane. R717 Heat Pump and Propylene applications with replaced O-ring.
- Modular Concept:
  - Each valve housing is available with several different connection types and sizes.
  - Possible to convert SCA-X or CHV-X to any other product in the Flexline™ SVL family (Hand operated regulating valve, shut-off valve or strainer) just by replacing the complete top part.
- Fast and easy valve overhaul service. It is easy to replace the top part and no welding is needed.
- Designed to open at a very low differential pressure of 0.04 bar / 0.58 psig.
- Designed with a built-in damping chamber preventing valve flutter in case of low refrigerant velocity and/or low density.
- Each valve is clearly marked with type, size and performance range. Additional ID ring to be installed when preparing for Ammonia Heat Pump or Propylene application.
- Easy to disassemble for inspection and service.
- Internal backseating enables replacement of the spindle seal whilst the valve is active, i.e. under pressure.
- Optimal flow characteristics ensuring quick opening to the fully open position.
- Protection against pulsation by built-in damping facility.
- Housing and bonnet material is low temperature steel according to requirements of the Pressure Equipment Directive and other international classification authorities.
- Equipped with Stainless steel bolts.
- Max. working pressure: 52 bar g / 754 psi g
- Temperature range: -60 – 150 °C / -76 – 302 °F
- Classification: DNV, CRN, BV, EAC etc. To get an updated list of certification on the products please contact your local Danfoss Sales Company.

**Design**

*Connections*

Available with the following connections:

- Butt-weld DIN (EN 10220)  
DN 15 - 125 (½ - 5 in.)
- Butt-weld ANSI (B 36.10 Schedule 80),  
DN 15 - 40 (½ - 1½ in.)
- Butt-weld ANSI (B 36.10 Schedule 40),  
DN 50 - 125 (2 - 5 in.)
- Butt-weld GOST, (8734-75 and 8732-78)  
DN 15 - 125 (½ - 5 in.)
- Socket-weld ANSI (B 16.11),  
DN 50 (2 in.)

*Housing*

The housing is made from special, cold resistant steel.

*Valve cone*

Valve cone with built in metallic stop - prevents damage to teflon ring in case of overtightening.

*Damping chamber*

The chamber is filled with refrigerants (gas or liquid), which provides a damping effect when the valve opens and closes.

*Spindle (SCA-X)*

Made of polished stainless steel, which is ideal for O-ring sealing.

*Packing Gland (SCA-X)*

The "full temperature range" packing gland is the standard for the entire SVL platform.

This ensures perfect tightness throughout the whole temperature range:  
-60 – 150 °C / -76 – 302 °F.

*Pressure Equipment Directive (PED)*

The SCA-X/CHV-X valves are approved according to the European standard specified in the Pressure Equipment Directive and are CE marked.

For further details / restrictions - see the product instruction.

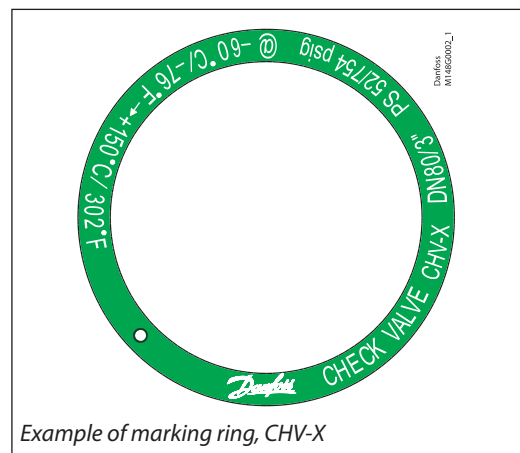
*Installation*

The valve must be mounted vertically with the cone downwards.

The valve is designed to resist very high internal pressure. However, the piping system in general should be designed to avoid liquid traps and reduce the risk of hydraulic pressure caused by thermal expansion.

For further information refer to installation instructions for SCA-X/CHV-X.

If cold refrigeration oil having low viscosity enters and settles in the damping chamber, problems with the check valve may arise. Consequently, it may be necessary to modify the valve for more viscous liquids by enlarging the hole to the damping chamber.



SCA-X/CHV-X valves			
Nominal bore	DN = < 25 mm (1 in.)	DN32-80 mm (1¼ - 3 in.)	DN100 - 125 mm (4 - 5 in.)
Classified for	Fluid group I		
Category	Article 3, paragraph 3	II	III

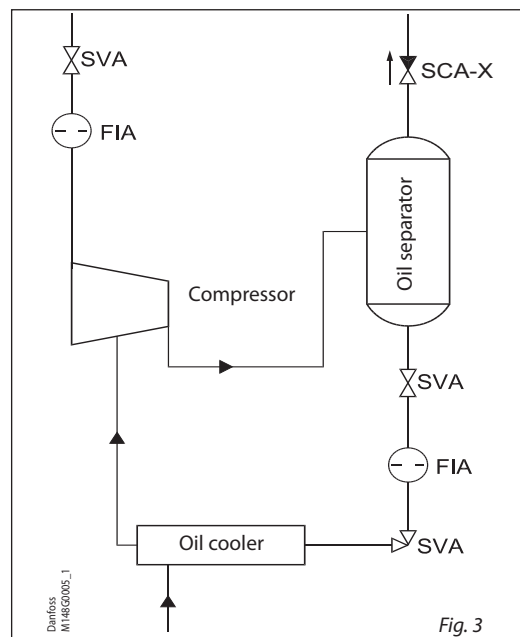
**Application**

Figure 3 shows the check & stop valve SCA-X in the discharge line of a screw compressor unit. The SCA-X valve in the discharge line prevents "back condensation" in the oil separator as well as pressure equalising through the compressor.

Compared to an ordinary shut-off and check valve arrangement the combined check & stop valve solution, as shown, is easier to install and has lower flow resistance.

Installation of the SCA-X/CHV-X in the economizer line is **not** recommended.

For horizontal installation of the function module; please contact Danfoss.



**Technical data**

- **Refrigerants**  
Applicable to HCFC, HFC, R717 (Ammonia), R744 (CO<sub>2</sub>), Propane, Butane, Iso-Butane and Ethane. R717 Heat Pump and Propylene applications with replaced O-ring.
- **Temperature range**  
-60 – 150 °C / -76 – 302 °F.
- **Max. working pressure**  
52 bar g / 754 psig.

**Computation and selection**

*Introduction*

When dimensioning SCA-X/CHV-X, it is important to select a valve that is best suited to all operating conditions. Therefore, it is necessary to consider both the nominal and part load working conditions.

The SCA-X/CHV-X valve can be calculated in two ways:

- Using the tables below.
- Using Coolselector®2

*Example*

*SI-Units*

Assumed working conditions:  
Maximum flow  $\dot{V} = 1000 \text{ m}^3/\text{h}$   
Density  $\rho = 3.0 \text{ kg/m}^3$   
Minimum part load = 33%

Used expressions:

- Recommended velocity -  $C_{rec}$  [m/s]
- Minimum recommended velocity -  $C_{min, rec}$  [m/s]
- Maximum velocity -  $C_{max}$  [m/s]
- Part load velocity -  $C_{part}$  [m/s]

We know the density  $\rho \approx 3.0 \text{ kg/m}^3$ , consequently  $C_{rec}$  as well as  $C_{min, rec}$  can be found in the figure below (standard valve).

$C_{rec} \approx 14 \text{ m/s}$   
 $C_{min, rec} \approx 3 \text{ m/s}$

*US-Units*

Assumed working conditions:  
Maximum flow  $\dot{V} = 1160 \text{ gpm}$   
Density  $\rho = 0.187 \text{ lb/feet}^3$   
Minimum part load = 33%

Used expressions:

- Recommended velocity -  $C_{rec}$  [ft/min]
- Minimum recommended velocity -  $C_{min, rec}$  [ft/min]
- Maximum velocity -  $C_{max}$  [ft/min]
- Part load velocity -  $C_{part}$  [ft/min]

We know the density  $\rho \approx 0.187 \text{ lb/feet}^3$ , consequently  $C_{rec}$  as well as  $C_{min, rec}$  can be found in the figure (standard valve).

$C_{rec} \approx 2756 \text{ ft/min}$   
 $C_{min, rec} \approx 591 \text{ ft/min}$

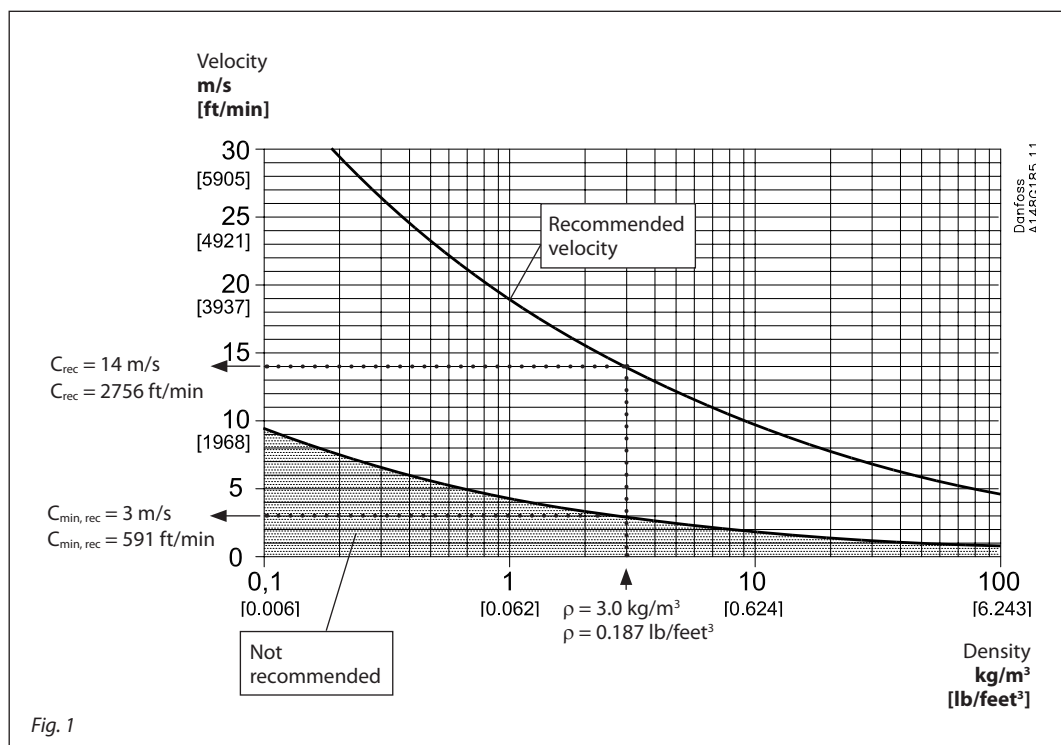


Fig. 1 Selection example continued on following page.

**Computation and selection**  
(continued)

Knowing that  $\dot{V} = 1000 \text{ m}^3/\text{h}$  (1160 gpm) fig. 2 gives the following choices:

For SCA-X/CHV-X in size DN 100 the maximum velocity  $C_{\text{max}} \approx 31 \text{ m/s}$  (6100 ft/min)  
 For SCA-X/CHV-X in size DN 125 the maximum velocity  $C_{\text{max}} \approx 20 \text{ m/s}$  (3900 ft/min)

In conclusion SCA-X in size DN 125 is selected because  $C_{\text{max}} \approx 20 \text{ m/s}$  (3900 ft/min) comes nearest to the recommended velocity  $C_{\text{rec}} \approx 14 \text{ m/s}$  (2756 ft/min) and at the same time part load conditions fulfil the requirements, as described:

We know that  $C_{\text{max}} \approx 20 \text{ m/s}$  (3900 ft/min) and that minimum part load is 33%. It follows that  $C_{\text{part}} \approx 6.5 \text{ m/s}$  (1290 ft/min). Thus,  $C_{\text{part}} (6.5 \text{ m/s}) > C_{\text{min,rec}}$

(3.0 m/s) and the selected SCA-X model DN125 is the perfect choice.

If the valve in question (for instance under part load conditions) provides a velocity less than  $C_{\text{min,rec}}$  the valve might start hammering and become noisy. As a result the valve may wear prematurely.

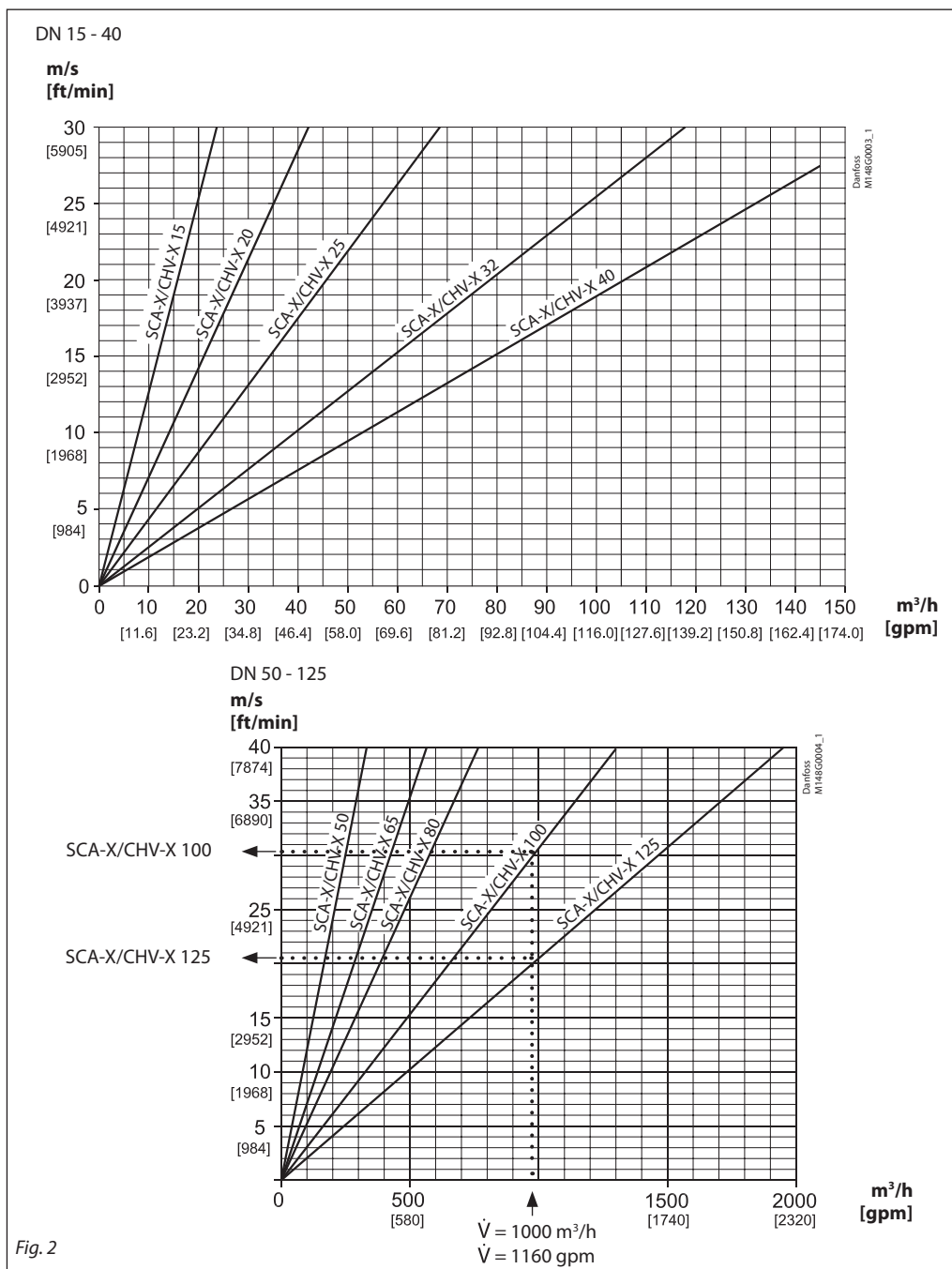
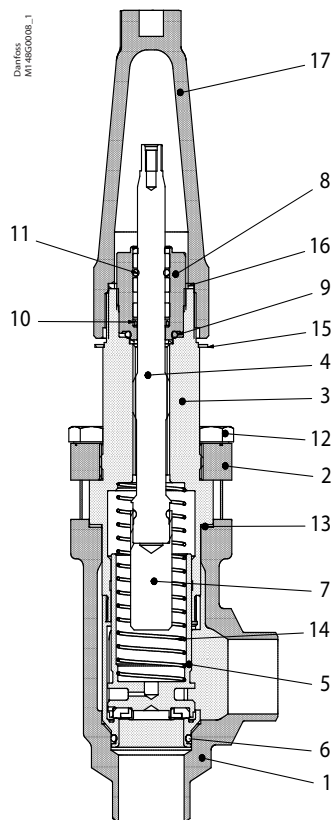
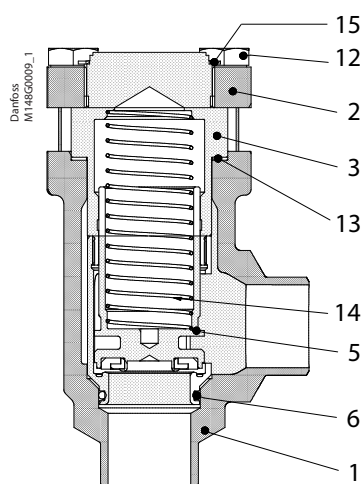


Fig. 2

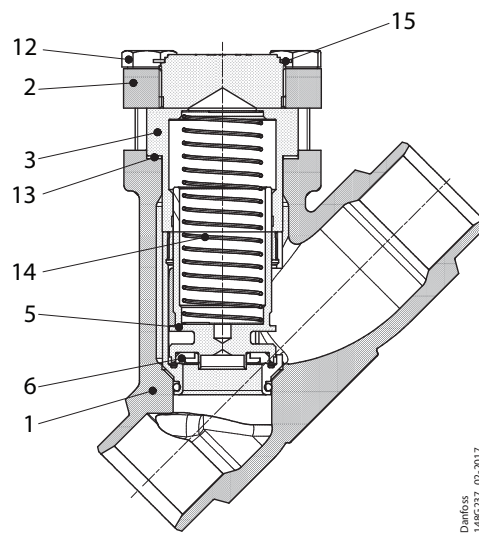
**Material specification**



SCA-X 15 - 40



CHV-X 15 - 40



CHV-X 15 - 40

Danfoss  
1485.237\_02-2017

No.	Part	Material	DIN/EN	ISO	ASTM
1	Housing	Steel	P285QH EN10222-4		LF2A350
2	Bonnet, Flange	Steel	P275NL1 EN10028-3		
3	Bonnet, Insert	Steel			
4	Spindle	Stainless steel	X 10CrNiS18-9	Type 17, 17440	AISI 303, 683/13
5	Cone	Steel Teflon (PTFE)			
6	O-ring	Cloroprene (Neoprene)			
7	Spindle extension	Steel			
8	Packing gland O-rings	Steel Cloroprene (Neoprene)			
9	Packing washer	Aluminium			
10	Spring loaded seal	Teflon (PTFE)			
11	O-ring	Cloroprene (Neoprene)			
12	Bolts	Stainless steel	A2-70	A2-70	Type 308
13	Gasket	Fiber, non-asbestos			
14	Spring	Steel			
15	Identification ring	Stainless steel			
16	Seal cap gasket	Nylon			
17	Spindle seal cap	Aluminium			

Material specification

SCA-X 50 - 125                      CHV-X 50 - 125                      CHV-X 50 - 125

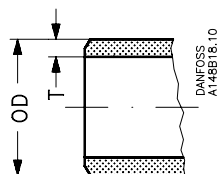
No.	Part	Material	DIN/EN	ISO	ASTM
1	Housing DN 50-65	Steel	P285 QH EN 10222-4		LF2A350
	Housing DN 80-125	Steel	G20Mn5 QT SEW 685		LCC, A352
2	Gasket	Fiber, Non-asbestos			
3	SCA-X: Valve bonnet CHV-X: End cover	Steel	P285 QH EN 10222-4		LF2A350
4	Bolts	Stainless steel	A2-70	A2-70	A-276
5	Tube	Steel			
6	Seat	Steel			
7	Valve plate	Steel			
8	Guide sleeve	Steel			
9	Spring ring	Steel			
10	Spring	Steel			
11	O-ring	Cloroprene (Neoprene)			
12	Teflon ring	Teflon (PTFE)			
13	Soft back seal	Teflon (PTFE)			
14	Spindle DN 50-65	Stainless steel	X8CrNiS18-9 17440	Type 17 R 683/13	AISI 303
	Spindle DN 80-125	Stainless steel	X5CrNi1810 17440	Type 11 683/13	AISI 304 A-276
15	Packing gland	Steel	9Mn28, 1651	Type 2, R 683/9	1213, SAE J403
16	Spindle seal cap and gasket	Aluminium			
17	Marking label	Stainless steel			
18	Eye bolt DIN 580	Steel			

Data sheet | Check & stop valve, type SCA-X - Check valve, type CHV-X

Connections

Size mm	Size in.	OD mm	T mm	OD in.	T in.			k <sub>v</sub> Angleway m <sup>3</sup> /h	C <sub>v</sub> Angleway USgal/min	K <sub>v</sub> Straightway m <sup>3</sup> /h	C <sub>v</sub> Straightway USgal/min
---------	----------	-------	------	--------	-------	--	--	---	---	--	--

ANSI



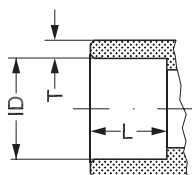
Butt-weld ANSI (B 36.10 Schedule 80)

15	½	21.3	3.7	0.839	0.146			8	9.3	4	4.6
20	¾	26.9	4.0	1.059	0.158			10	11.6	7	8.1
25	1	33.7	4.6	1.327	0.181			24	27.8	16	18.6
32	1¼	42.4	4.9	1.669	0.193			30	34.8	21	24.4
40	1½	48.3	5.1	1.902	0.201			30	34.8	21	24.4

Butt-weld ANSI (B 36.10 Schedule 40)

50	2	60.3	3.9	2.37	0.15			45	53	28	34
65	2½	73.0	5.2	2.87	0.20			72	85	41	48
80	3	88.9	5.5	3.50	0.22			103	129	81	94
100	4	114.3	6.0	4.50	0.24			196	232	157	182
125	5	141.3	6.6	5.56	0.26			301	356	250	290

SOC



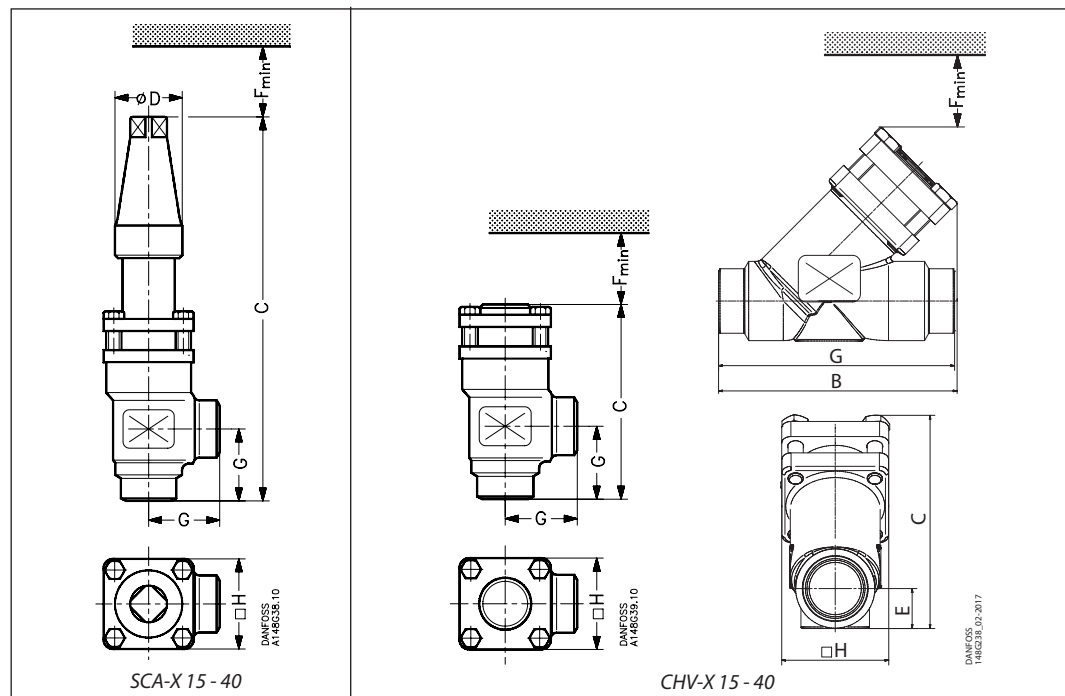
Size mm	Size in.	ID mm	T mm	ID in.	T in.	L mm	L in.				
---------	----------	-------	------	--------	-------	------	-------	--	--	--	--

Socket welding ANSI (B 16.11)

15	½	21.8	6	0.858	0.235	10	0.39				
20	¾	27.2	4.6	1.071	0.181	13	0.51				
25	1	33.9	7.2	1.335	0.284	13	0.51				
32	1¼	42.7	6.1	1.743	0.240	13	0.51				
40	1½	48.8	6.6	1.921	0.260	13	0.51				
50	2	61.2	6.2	2.41	0.24	16	0.63				

Dimensions and weights

SCA-X/CHV-X 15 - 40 (½- 1½ in.)



Valve size	C	G	ØD	F <sub>min</sub>	□H	Weight
------------	---	---	----	------------------	----	--------

SCA-X 15 - 40

SCA-X 15 (½ in.)	mm in.	212 8.35	45 1.77	38 1.50	60 2.36	60 2.36	1.6 kg 3.53 lb
SCA-X 20 (¾ in.)	mm in.	212 8.35	45 1.77	38 1.50	60 2.36	60 2.36	1.6 kg 3.53 lb
SCA-X 25 (1 in.)	mm in.	295 11.61	55 2.17	50 1.97	85 3.35	70 2.76	3.2 kg 7.05 lb
SCA-X 32 (1¼ in.)	mm in.	295 11.61	55 2.17	50 1.97	85 3.35	70 2.76	3.2 kg 7.05 lb
SCA-X 40 (1½ in.)	mm in.	295 11.61	55 2.17	50 1.97	85 3.35	70 2.76	3.2 kg 7.05 lb

CHV-X 15 - 40 Angleway

CHV-X 15 (½ in.)	mm in.	103 4.06	45 1.77		60 2.36	60 2.36	1.2 kg 2.65 lb
CHV-X 20 (¾ in.)	mm in.	103 4.06	45 1.77		60 2.36	60 2.36	1.2 kg 2.65 lb
CHV-X 25 (1 in.)	mm in.	143 5.63	55 2.17		85 3.35	70 2.76	2.3 kg 5.07 lb
CHV-X 32 (1¼ in.)	mm in.	143 5.63	55 2.17		85 3.35	70 2.76	2.3 kg 5.07 lb
CHV-X 40 (1½ in.)	mm in.	143 5.63	55 2.17		85 3.35	70 2.76	2.3 kg 5.07 lb

Valve size	C	B	E	G	F <sub>min</sub>	□H	Weight
------------	---	---	---	---	------------------	----	--------

CHV-X 15 - 40 Straightway

CHV-X 15 (½ in.)	mm in.	99 3.90	114 4.49	19 0.75	120 4.72	60 2.36	60 2.36	1.3kg 2.87lb
CHV-X 20 (¾ in.)	mm in.	99 3.90	114 4.49	19 0.75	120 4.72	60 2.36	60 2.36	1.3kg 2.87lb
CHV-X 25 (1 in.)	mm in.	141 5.55	157 6.18	26 1.02	155 6.10	85 3.35	70 2.76	2.6kg 5.73lb
CHV-X 32 (1¼ in.)	mm in.	141 5.55	157 6.18	26 1.02	155 6.10	85 3.35	70 2.76	2.6kg 5.73lb
CHV-X 40 (1½ in.)	mm in.	141 5.55	157 6.18	26 1.02	155 6.10	85 3.35	70 2.76	2.6kg 5.73lb

CHV-X 32-40 Straightway, Socket weld

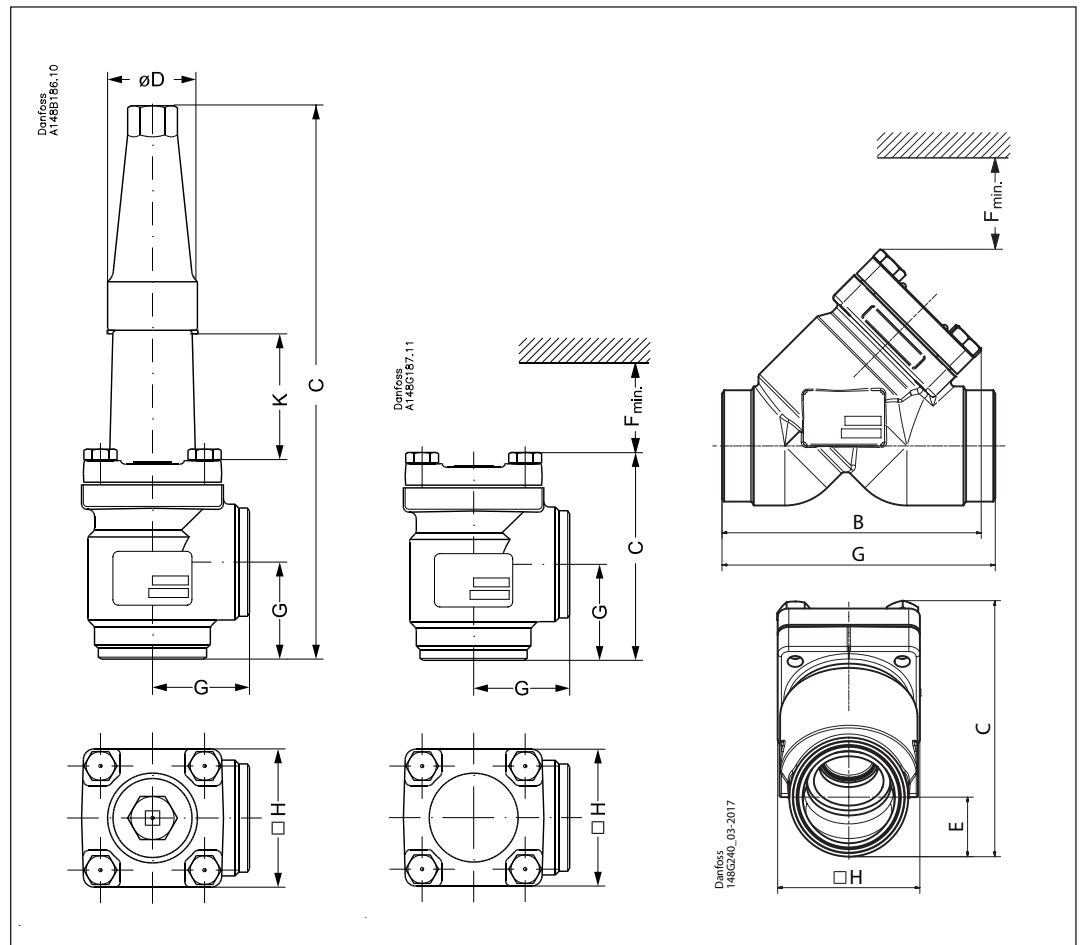
CHV-X 32-40 (1¼ - 1½ in.)	mm in.	132 5.20	156 6.14	26 1.02	155 6.10	85 3.35	70 2.76	2.8kg 6.11lb
---------------------------	-----------	-------------	-------------	------------	-------------	------------	------------	-----------------

Specified weights are approximate values only.



Dimensions and weights

SCA-X/CHV-X 50 - 65 (2 - 2½ in.)



Valve size	K	C	G	ØD	□H	Weight
------------	---	---	---	----	----	--------

SCA-X

SCA-X 50	mm	70	315	60	50	77	3.8 kg
SCA-X (2)	in.	2.76	12.40	2.36	1.97	3.03	8.40 lb
SCA-X 65	mm	70	335	70	50	90	5.5 kg
SCA-X (2½)	in.	2.76	13.19	2.76	1.97	3.54	12.16 lb

Valve size	C	G	F <sub>min.</sub>	□H	Weight
------------	---	---	-------------------	----	--------

CHV-X Angleway

CHV-X 50	mm	132	60	92	77	3.2 kg
CHV-X (2)	in.	5.20	2.36	3.62	3.03	7.10 lb
CHV-X 65	mm	152	70	107	90	4.5 kg
CHV-X (2½)	in.	5.98	2.76	4.21	3.54	9.95 lb

Valve size	C	B	E	G	F <sub>min.</sub>	□H	Weight
------------	---	---	---	---	-------------------	----	--------

CHV-X Straightway

CHV-X 50	mm	139	140	32	148	92	77	3 kg
CHV-X (2)	in.	5.47	5.51	1.26	5.83	3.62	3.03	6.72 lb
CHV-X 65	mm	163	164	40	176	107	90	4.3 kg
CHV-X (2½)	in.	6.4	6.4	1.6	6.9	4.21	3.54	9.44 lb

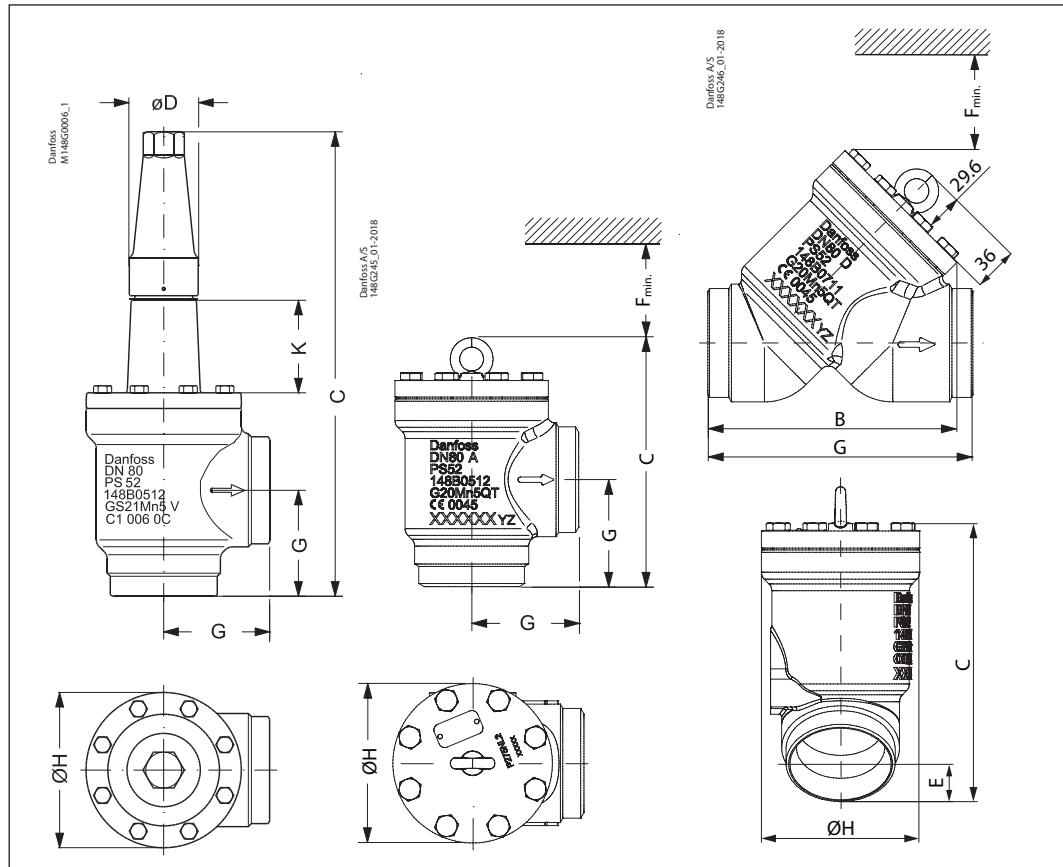
CHV-X Straightway, Socket weld

CHV-X 50	mm	142	147	37	162	92	77	3.8 kg
CHV-X (2)	in.	5.59	5.79	1.46	6.38	3.62	3.03	8.33 lb

Specified weights are approximate values only.

Dimensions and weights

SCA-X/CHV-X 80 - 125 (3 - 5 in.)



Valve size	K	C	G	ØD	ØH	Weight
------------	---	---	---	----	----	--------

SCA-X

SCA-X 80	mm	76	388	90	58	129	9.7 kg
SCA-X (3)	in.	3.00	15.28	3.54	2.28	5.08	21.4 lb
SCA-X 100	mm	90	437	106	58	156	15.3 kg
SCA-X (4)	in.	3.54	17.20	4.17	2.28	6.14	33.7 lb
SCA-X 125	mm	90	533	128	74	193	28.1 kg
SCA-X (5)	in.	3.54	20.98	5.04	2.91	7.60	61.9 lb

Valve size	C	G	F <sub>min.</sub>	ØH	Weight
------------	---	---	-------------------	----	--------

CHV-X Angleway

CHV-X 80	mm	218.6	90	103.4	129	8.7 kg
CHV-X (3)	in.	8.61	3.54	4.07	5.08	19.23 lb
CHV-X 100	mm	252.6	106	133.4	156	14.3 kg
CHV-X (4)	in.	9.94	4.17	5.25	6.14	31.60 lb
CHV-X 125	mm	297.6	128	160.4	193	25.6 kg
CHV-X (5)	in.	11.72	5.04	6.31	7.60	56.58 lb

Valve size	C	B	E	G	F <sub>min.</sub>	ØH	Weight
------------	---	---	---	---	-------------------	----	--------

CHV-X Straightway

CHV-X 80	mm	206	204	48	216	133	129	9.3 kg
CHV-X (3)	in.	8.11	8.03	1.89	8.50	5.24	5.08	20.4 lb
CHV-X 100	mm	256	248	62	264	163	156	14.6 kg
CHV-X (4)	in.	10.08	9.76	2.44	10.39	6.43	6.14	32.29 lb
CHV-X 125	mm	314	302	74	322	190	193	32.5 kg
CHV-X (5)	in.	12.36	11.89	2.91	12.68	7.48	7.60	71.65 lb

Specified weights are approximate values only.

**Ordering complete valves**

*How to order*

The table below is used to identify the valve required.

For further information please contact your local Danfoss Sales Company.

Please note that the type codes only serve to identify the valves, some of which may not form part of the standard product range.

Valve type	SCA-X CHV-X	Check & stop valve Check Valve		
(valve size measured on the connection diameter)	<b>15</b>	DN 15	<b>A</b> x	<b>SOC</b> x
	<b>20</b>	DN 20	x	x
	<b>25</b>	DN 25	x	x
	<b>32</b>	DN 32	x	x
	<b>40</b>	DN 40	x	x
	<b>50</b>	DN 50	x	x
	<b>65</b>	DN 65	x	
	<b>80</b>	DN 80	x	
	<b>100</b>	DN 100	x	
	<b>125</b>	DN 125	x	
	Connections	<b>A</b>	Welding branches: ANSI B 31.5 schedule 80 DN 15 - 40 (½ - 1½ in.)	
	<b>SOC</b>	Welding branches: ANSI B 31.5 schedule 40 DN 50 - 125 (2 - 5 in.) Socket weld: ANSI B 16.11		
Valve housing	<b>ANG</b>	Angle flow		
	<b>STR</b>	Straight flow		

**Important!**

Where products need to be certified according to specific certification societies the relevant information should be included at the time of order.

**Angleway**

*SCA-X Butt-weld ANSI (B 36.10 Schedule 80)*

Size		Type	Code No.
mm	in.		
15	½	SCA-X 15 A ANG	<b>148B5209</b>
20	¾	SCA-X 20 A ANG	<b>148B5309</b>
25	1	SCA-X 25 A ANG	<b>148B5409</b>
32	1¼	SCA-X 32 A ANG	<b>148B5509</b>
40	1½	SCA-X 40 A ANG	<b>148B5609</b>

**Angleway**

*CHV-X Butt-weld ANSI (B 36.10 Schedule 80)*

Size		Type	Code No.
mm	in.		
15	½	CHV-X 15 A ANG	<b>148B5237</b>
20	¾	CHV-X 20 A ANG	<b>148B5337</b>
25	1	CHV-X 25 A ANG	<b>148B5437</b>
32	1¼	CHV-X 32 A ANG	<b>148B5537</b>
40	1½	CHV-X 40 A ANG	<b>148B5637</b>

*SCA-X Butt-weld ANSI (B 36.10 Schedule 40)*

Size		Type	Code No.
mm	in.		
50	2	SCA-X 50 A ANG	<b>148B5703</b>
65	2½	SCA-X 65 A ANG	<b>148B5802</b>
80	3	SCA-X 80 A ANG	<b>148B5903</b>
100	4	SCA-X 100 A ANG	<b>148B6004</b>
125	5	SCA-X 125 A ANG	<b>148B6103</b>

*CHV-X Butt-weld ANSI (B 36.10 Schedule 40)*

Size		Type	Code No.
mm	in.		
50	2	CHV-X 50 A ANG	<b>148B5737</b>
65	2½	CHV-X 65 A ANG	<b>148B5837</b>
80	3	CHV-X 80 A ANG	<b>148B5937</b>
100	4	CHV-X 100 A ANG	<b>148B6037</b>
125	5	CHV-X 125 A ANG	<b>148B6137</b>

*SCA-X Socket welding ANSI (B 16.11)*

Size		Type	Code No.
mm	in.		
50	2	SCA-X 50 SOC ANG	<b>148B5704</b>

*CHV-X Socket welding ANSI (B 16.11)*

Size		Type	Code No.
mm	in.		
32	1¼	CHV 32 SOC ANG	<b>148B5539</b>
50	2	CHV 50 SOC ANG	<b>148B5740</b>

ANG = Angleway

**Ordering complete valves**  
(continued)

**Straightway**

*CHV-X Butt-weld ANSI (B 36.10 Schedule 80)*

Size		Type	Code No.
mm	in.		
15	½	CHV-X 15 A STR	<b>148B6582</b>
20	¾	CHV-X 20 A STR	<b>148B6584</b>
25	1	CHV-X 25 A STR	<b>148B6586</b>
32	1¼	CHV-X 32 A STR	<b>148B6588</b>
40	1½	CHV-X 40 A STR	<b>148B6590</b>

*CHV-X Butt-weld ANSI (B 36.10 Schedule 40)*

Size		Type	Code No.
mm	in.		
50	2	CHV-X 50 A STR	<b>148B6592</b>
65	2½	CHV-X 65 A STR	<b>148B6594</b>
80	3	CHV-X 80 A STR	<b>148B6596</b>
100	4	CHV-X 100 A STR	<b>148B6598</b>
125	5	CHV-X 125 A STR	<b>148B6600</b>

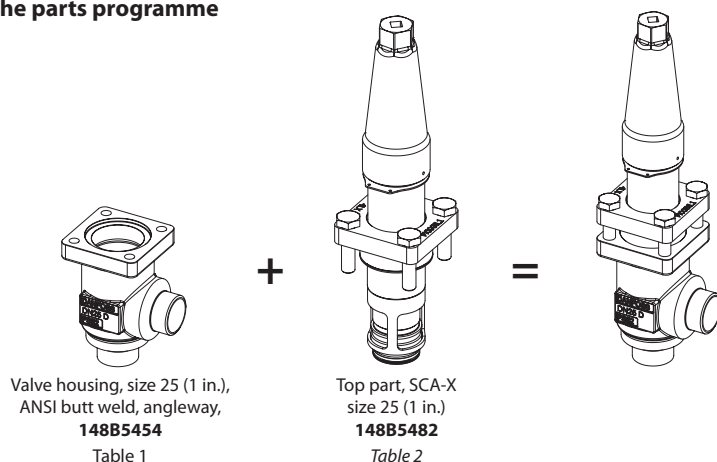
*CHV-X Socket welding ANSI (B 16.11)*

Size		Type	Code No.
mm	in.		
15	½	CHV-X 15 SOC STR	<b>148B6601</b>
20	¾	CHV-X 20 SOC STR	<b>148B6602</b>
25	1	CHV-X 25 SOC STR	<b>148B6603</b>
32	1¼	CHV-X 32 SOC STR	<b>148B6604</b>
40	1½	CHV-X 40 SOC STR	<b>148B6605</b>
50	2	CHV-X 50 SOC STR	<b>148B6606</b>

STR = Straightway

**Ordering SCA-X from the parts programme**

**Example**  
(select from  
table 1 and 2)



**Table 1**  
SVL valve housings  
w/different  
connections

Sizes [DN]		DN 15-65 mm (½ - 2½ in.)				DN 80-125 mm (3 - 5 in.)			
		ANSI-Butt weld		SOC		FPT		FPT	
mm	in.	ANG	STR	ANG	STR	ANG	STR	ANG	STR
15	½	<b>148B5254</b>	<b>148B5255</b>	<b>148B5256</b>	<b>148B5257</b>	<b>148B5258</b>	<b>148B5259</b>		
20	¾	<b>148B5354</b>	<b>148B5355</b>	<b>148B5356</b>	<b>148B5357</b>	<b>148B5358</b>	<b>148B5359</b>		
25	1	<b>148B5454</b>	<b>148B5455</b>	<b>148B5456</b>	<b>148B5457</b>	<b>148B5458</b>	<b>148B5459</b>		
32	1¼	<b>148B5578</b>	<b>148B5579</b>	<b>148B5580</b>	<b>148B5581</b>	<b>148B5582</b>	<b>148B5583</b>		
40	1½	<b>148B5654</b>	<b>148B5655</b>	<b>148B5656</b>	<b>148B5657</b>				
50	2	<b>148B5743</b>	<b>148B5744</b>	<b>148B5745</b>	<b>148B5746</b>				
65	2½	<b>148B5818</b>	<b>148B5819</b>						
80	3	<b>148B5914</b>	<b>148B5915</b>						
100	4	<b>148B6016</b>	<b>148B6017</b>						
125	5	<b>148B6114</b>	<b>148B6115</b>						

**Table 2**  
SCA-X complete top part  
including gaskets and  
bolts

Sizes [DN]		SCA-X 15-50	SCA-X 80-125
mm	in.	Complete top part SCA-X	
15	½	<b>148B5282</b>	
20	¾	<b>148B5282</b>	
25	1	<b>148B5482</b>	
32	1¼	<b>148B5482</b>	
40	1½	<b>148B5482</b>	
50	2	<b>148B5735</b>	
65	2½	<b>148B5825</b>	
80	3	<b>148B5918</b>	
100	4	<b>148B6019</b>	
125	5	<b>148B6118</b>	

**Replacement kit (O-ring replacement) for R717 Ammonia Heat Pump\* and Propylene applications (including ID tag)**

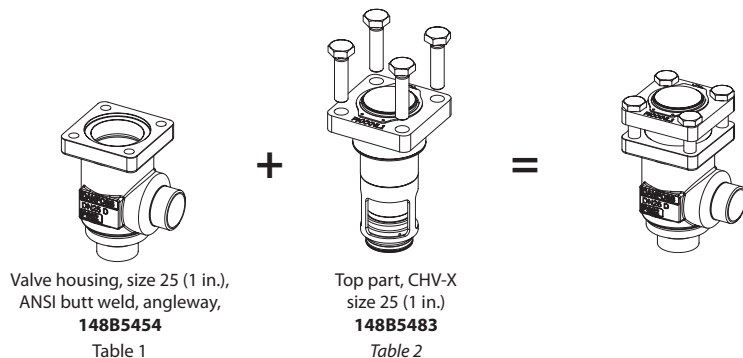
Size (DN)		O-ring kit for	
mm	in.	R717 Heat pump	R1270 Propylene
15	½	<b>148B6070</b>	<b>148B6077</b>
20	¾	<b>148B6070</b>	<b>148B6077</b>
25	1	<b>148B6071</b>	<b>148B6078</b>
32	1¼	<b>148B6071</b>	<b>148B6078</b>
40	1½	<b>148B6071</b>	<b>148B6078</b>
50	2	<b>148B6072</b>	<b>148B6079</b>
65	2½	<b>148B6073</b>	<b>148B6080</b>
80	3	<b>148B6074</b>	<b>148B6081</b>
100	4	<b>148B6075</b>	<b>148B6082</b>
125	5	<b>148B6076</b>	<b>148B6083</b>

\* Replacement kits for R717 Ammonia Heat Pump is applicable for continuous operating temperature between +100°C to 150°C (212°F to 302°F)

**Ordering CHV-X from the parts programme**

**Example**

(select from table 1 and 2)



**Table 1**  
SVL valve housings w/different connections

Sizes [DN]		DN 15-65 mm (½ - 2½ in.)				DN 80-125 mm (3 - 5 in.)			
		ANSI-Butt weld		Soc		Soc		FPT	
mm	in.	ANG	STR	ANG	STR	ANG	STR	ANG	STR
15	½	148B5254	148B5255	148B5256	148B5257	148B5258	148B5259		
20	¾	148B5354	148B5355	148B5356	148B5357	148B5358	148B5359		
25	1	148B5454	148B5455	148B5456	148B5457	148B5458	148B5459		
32	1¼	148B5578	148B5579	148B5580	148B5581	148B5582	148B5583		
40	1½	148B5654	148B5655	148B5656	148B5657				
50	2	148B5743	148B5744	148B5745	148B5746				
65	2½	148B5818	148B5819						
80	3	148B5914	148B5915						
100	4	148B6016	148B6017						
125	5	148B6114	148B6115						

**Table 2**  
CHV-X complete top part including gaskets and bolts

Sizes [DN]		CHV-X 15-50	CHV-X 80-125
mm	in.	Complete top part CHV-X	
15	½	148B5283	
20	¾	148B5283	
25	1	148B5483	
32	1¼	148B5483	
40	1½	148B5483	
50	2	148B5747	
65	2½	148B5827	
80	3	148B5919	
100	4	148B6022	
125	5	148B6119	

Replacement kit (O-ring replacement) for R717 Ammonia Heat Pump\* and Propylene applications (including ID tag)

Size (DN)		O-ring kit for	
mm	in.	R717 Heat pump	R1270 Propylene
15	½	148B6070	148B6077
20	¾		
25	1	148B6071	148B6078
32	1¼		
40	1½		
50	2	148B6072	148B6079
65	2½	148B6073	148B6080
80	3	148B6074	148B6081
100	4	148B6075	148B6082
125	5	148B6076	148B6083

\* Replacement kits for R717 Ammonia Heat Pump is applicable for continuous operating temperature between +100°C to 150°C (212°F to 302°F)



ENGINEERING  
TOMORROW



---

Danfoss can accept no responsibility for possible errors in catalogues, brochures and other printed material. Danfoss reserves the right to alter its products without notice. This also applies to products already on order provided that such alterations can be made without subsequential changes being necessary in specifications already agreed. All trademarks in this material are property of the respective companies. Danfoss and the Danfoss logotype are trademarks of Danfoss A/S. All rights reserved.