

Copeland Scroll™ Compressor ZFKQ for Refrigeration Applications



Product catalogue

COPELAND™


EMERSON™

Emerson developed the ZFKQ range of Copeland Scroll™ compressors to provide the best performance in low temperatures. The series has a wide application envelope that can operate from -40°C to +7°C evaporating temperature. Its optimized design perfectly fits frozen food application requirements while its scroll compliance mechanism makes it highly tolerant of liquid slugging.

The range consists of:

- The ZF*KQE models that operate with liquid injection in order to control discharge temperature and extend the operating envelope.
- The ZFI*KQE models that are optimized for vapor injection with the use of a subcooler. This boosts the refrigeration system's cooling capacity and efficiency.

Features and benefits

High efficiency all year round

- The unique Copeland Compliant Scroll design patented by Emerson operates under continuous scroll flank contact, maintained by centrifugal force. This minimizes gas leakage while maximizing efficiency.
- With its capability for condensing operation down to 4°C on low temperature applications, Copeland Scroll technology provides the best seasonal efficiencies.
- Equipped with dynamic discharge valve that allows the discharge gas to reach desired pressure. This helps reduce efficiency loss by preventing gas re-compression.
- The vapor injection technology allows ZFI*KQE compressors to perform higher efficiency than single-stage compressors at low temperature operation condition. Thus makes ZFI*KQE the best in-class performance.

Compactness

- The small footprint of Copeland Scroll compressors enables compact system designs.
- Weight and dimensions for refrigeration equipment is reduced with increased capacity per compressor weight.

Robustness and reliability

- The Copeland Compliant Scroll design is tolerant to stresses caused by liquid slugging, flooded starts and debris commonly found in refrigeration systems.
- Easy to service and maintain due to their compact size and lightweight, simple design.
- Engineered for optimum performance with today's chlorine-free refrigerants.
- The Copeland Scroll compressor design has several inherent reliability advantages:
 - 70% fewer moving parts than reciprocating compressors
 - Axial & radial scroll compliance provides improved liquid handling capability
 - Hermetic design reduces leak potential
- Redesigned suction gas flow results in lower oil circulation and better motor cooling.
- EVI CoreSense™ Control kits provide advanced features to ensure optimum system operation.



Compressor protection

- ZF*KQE and ZFI*KQE compressors are supplied with internal thermal protectors that prevent motor overheating in case of loss of phase or low refrigerant charge.
- The ZF*KQE models that operate with liquid injection through DTC Valve in order to control the discharge temperature.
- The ZFI*KQE models that can operate with Emerson EVI CoreSense™ control kits in order to control vapor injection superheat as well as a safe discharge temperature.

Smooth operation

- All Copeland Scroll compressors are designed with a discharge check valve that isolates the high pressure discharge gas. This allows the compressor to start unloaded, resulting in low inrush currents.
- Smooth operations are made possible by the continuous compression process. This generates less vibration than reciprocating technology.

Delivers unmatched energy efficiency: 5%–20% improvement

- Motor, scroll and bearing redesign minimize annual energy consumption.
- Precision machined scrolls provide the highest isentropic efficiency and wear-in for improved performance over time.
- New valving technology adjusts the scroll compression ratio based on operating condition, significantly improving low ambient performance.
- Using vapor injection improves system capacity by 50% and efficiency by 20% on average at the low temperature rating condition.

One model for multiple refrigerants

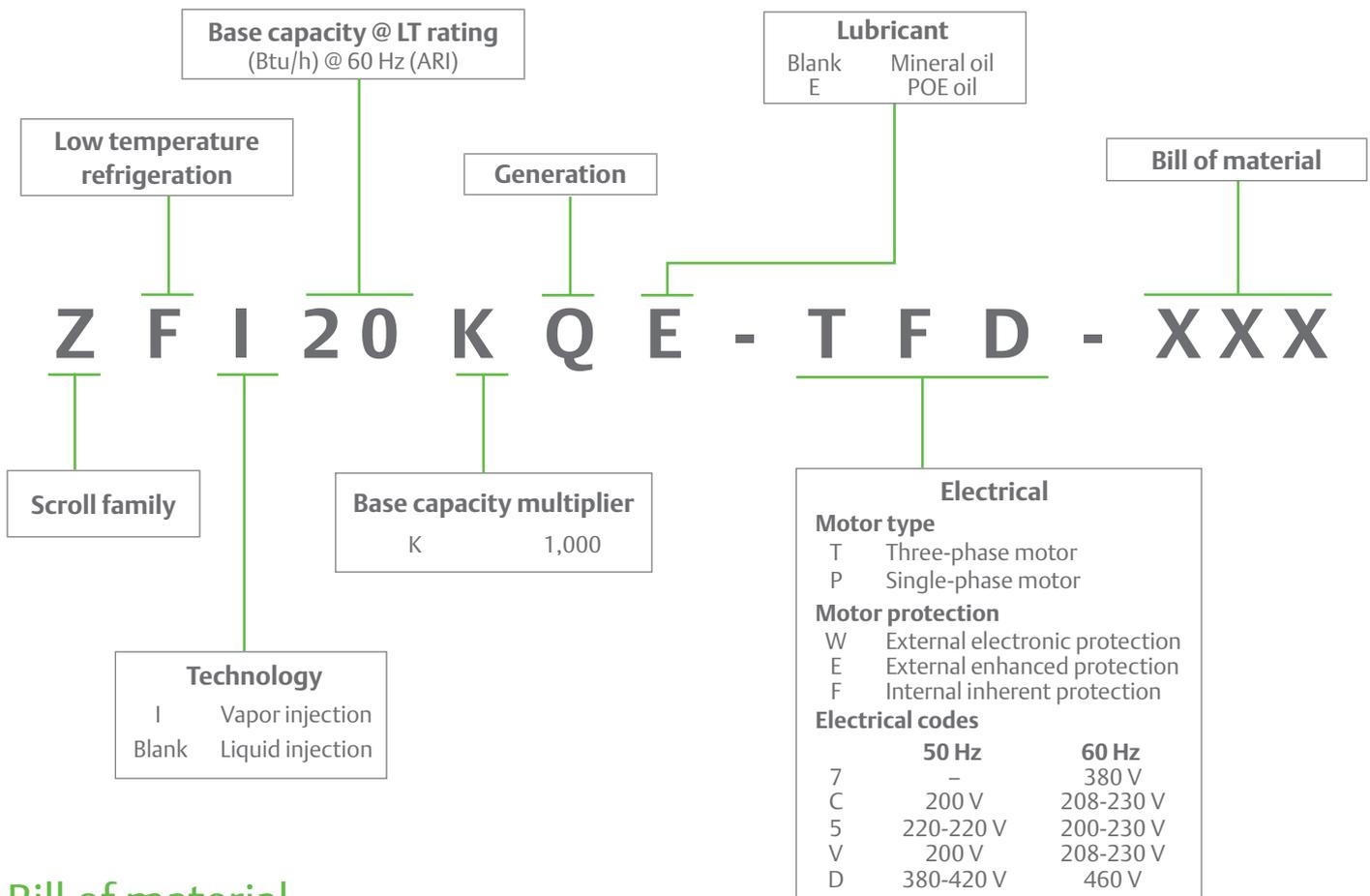
- All ZF and ZFI compressors are qualified for R22, R404A, R507, R407A/C, R407F, R448A, and R449A.

Notes: This catalogue only provides performance tables for R22 and R404A. Please visit Select Software Asia for more information.

Table of contents

Features and benefits	02
Nomenclature	05
Bill of material	05
Operating envelopes	06
Product line-up	08
Performance data	09
Technical data	17
EVI CoreSense™	19
Dimensional drawings	26
Schematic diagram	43
Available models list	44
Contact list	48

Nomenclature



Bill of material

Compressor model	Motor code	BOM number	Stub tube connection	Rotalock connection	Oil sight glass	Schrader valve
Liquid injection						
ZF06-11KQE	TFD, TF5, PFV	550	✓		✓	✓
		551		✓	✓	✓
ZF13-28KQE	TFD, TF7, TFC ¹	550	✓		✓	✓
		551		✓	✓	✓
ZF28KQE	TFC	580	✓		✓	✓
		591		✓	✓	✓
ZF34-54KQE	TFD, TF7, TFC	554	✓		✓	✓
		564 / 567 ²		✓	✓	✓
Vapor injection						
ZF120-39KQE	TFD, TF7, TFC ¹	550	✓		✓	✓
		552		✓	✓	✓
ZF139KQE	TFC	580	✓		✓	✓
		592		✓	✓	✓
ZF150-81KQE	TFD, TF7, TFC	554	✓		✓	✓
		564 / 567 ²		✓	✓	✓
ZF1122KQE	TED, TE7, TEC	522	✓		✓	✓
		523		✓	✓	✓

Remarks: See technical data sheet for the detailed connection size

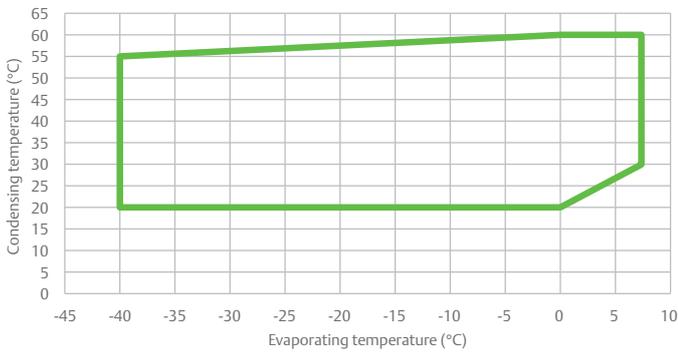
ZF06-ZF54KQE only provide rotalock connection to liquid injection fitting for the installation of DTC valve

¹Except ZF28KQE-TFC and ZF139KQE-TFC

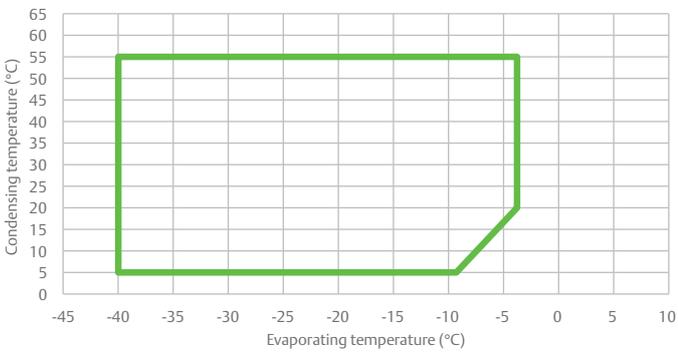
²BOM 554/564 (Sight glass fitting with restriction) only work with Emerson OMB oil management device, BOM567 (Standard sight glass fitting) works with Emerson OM3 in rack application.

Vapor injection

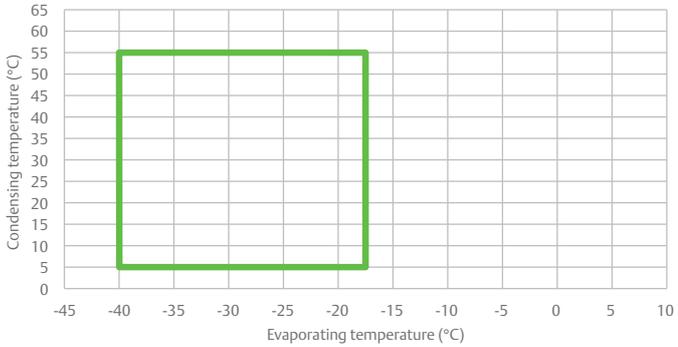
ZFI20-26KQE



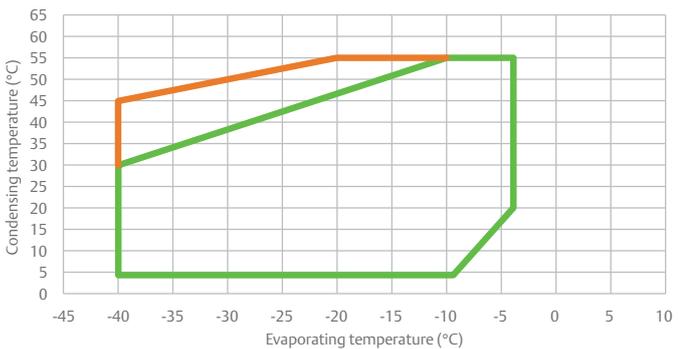
ZFI36-59KQE



ZFI68-81KQE



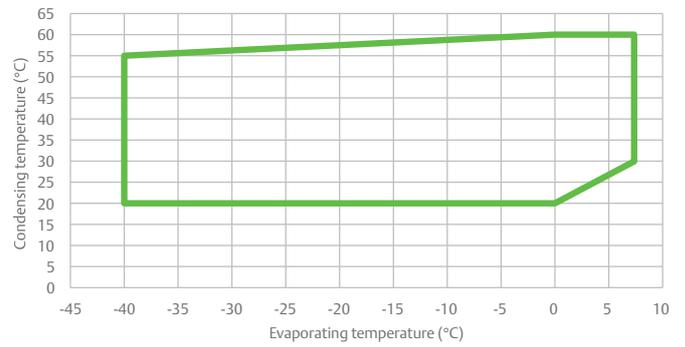
ZFI122KQE



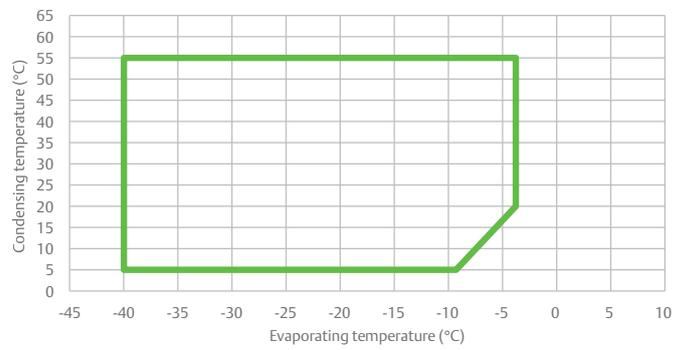
Note: — 20°C Return gas + Vapor injection — 20K Superheat + Vapor injection

Liquid injection

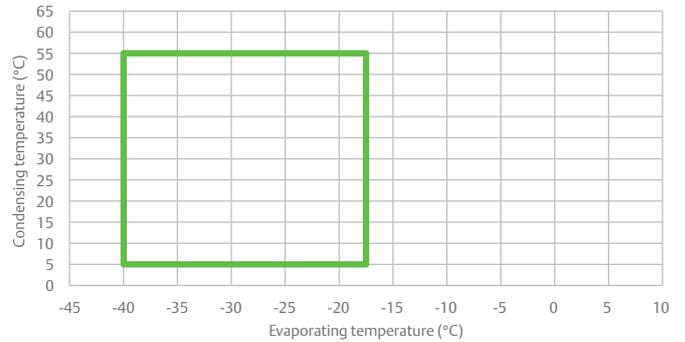
ZF06 - 18KQE



ZF25-41KQE



ZF49-54KQE



Note: — 20°C return gas + liquid injection

Operating envelopes

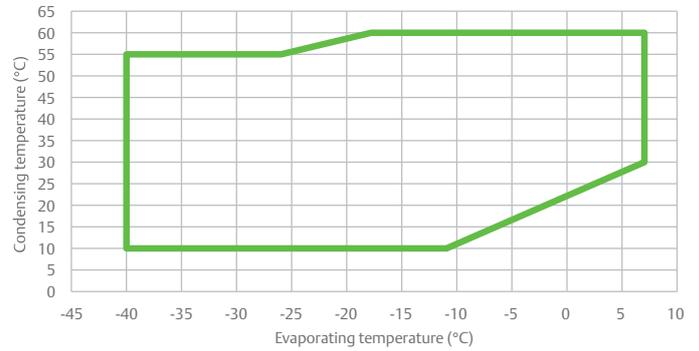
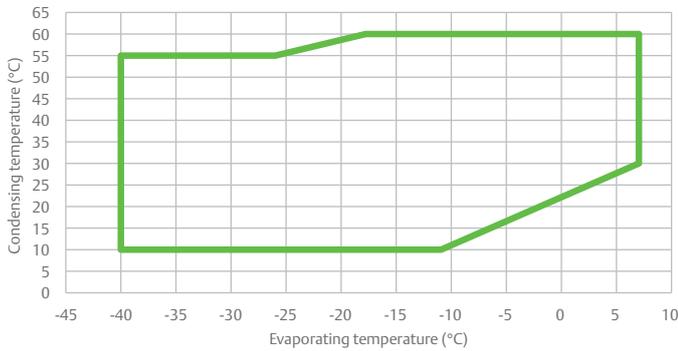
R404A

Vapor injection

Liquid injection

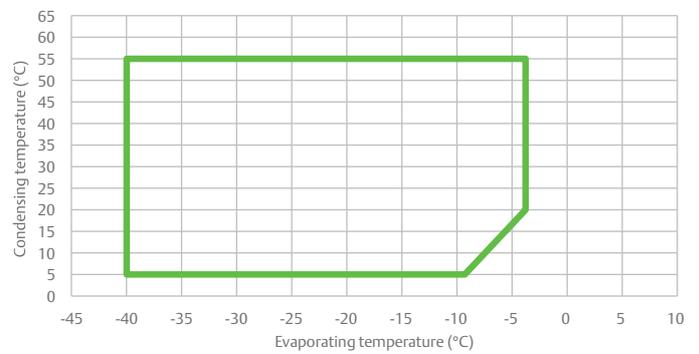
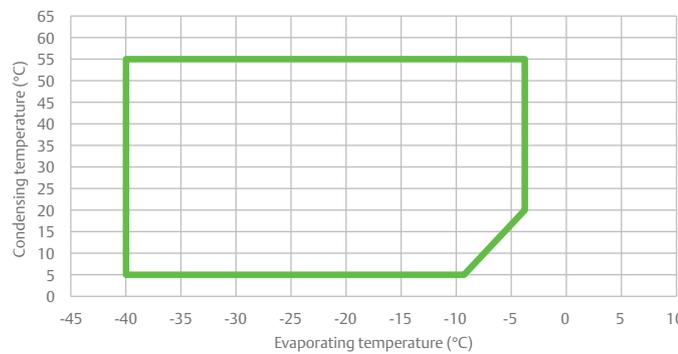
ZFI20 - 26KQE

ZF06 - 18KQE



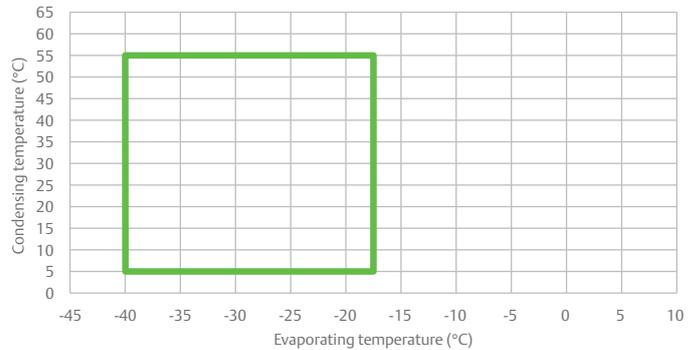
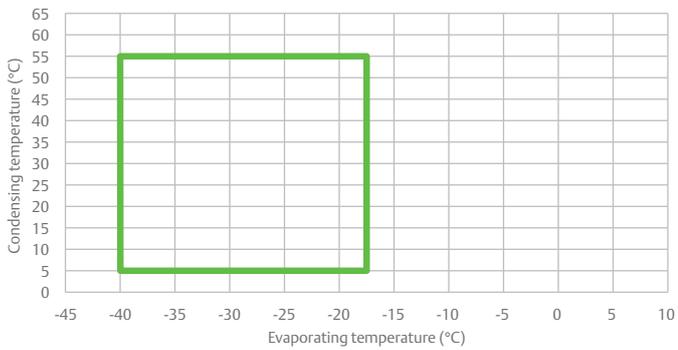
ZFI36 - 59KQE

ZF25 - 41KQE



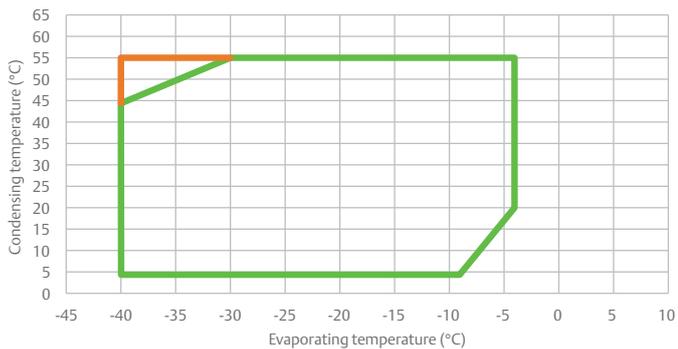
ZFI68-81KQE

ZF49-54KQE



Note: — 20°C return gas + liquid injection

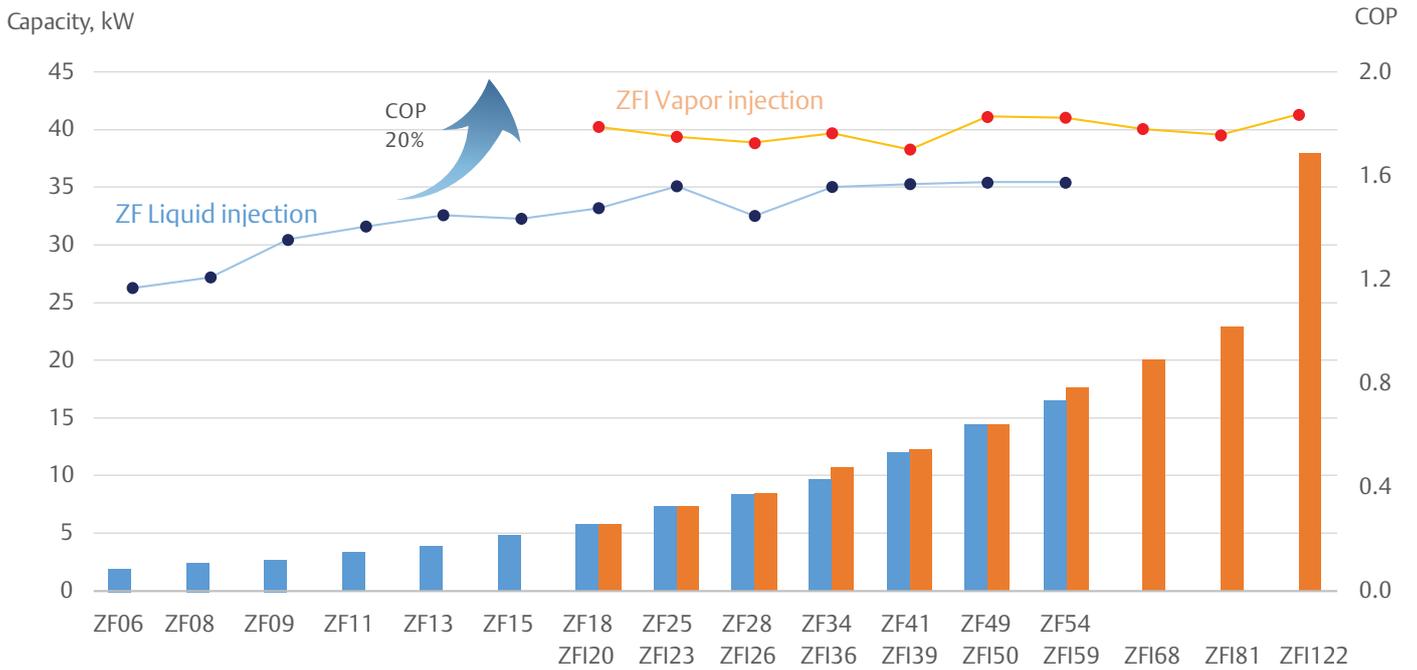
ZFI122KQE



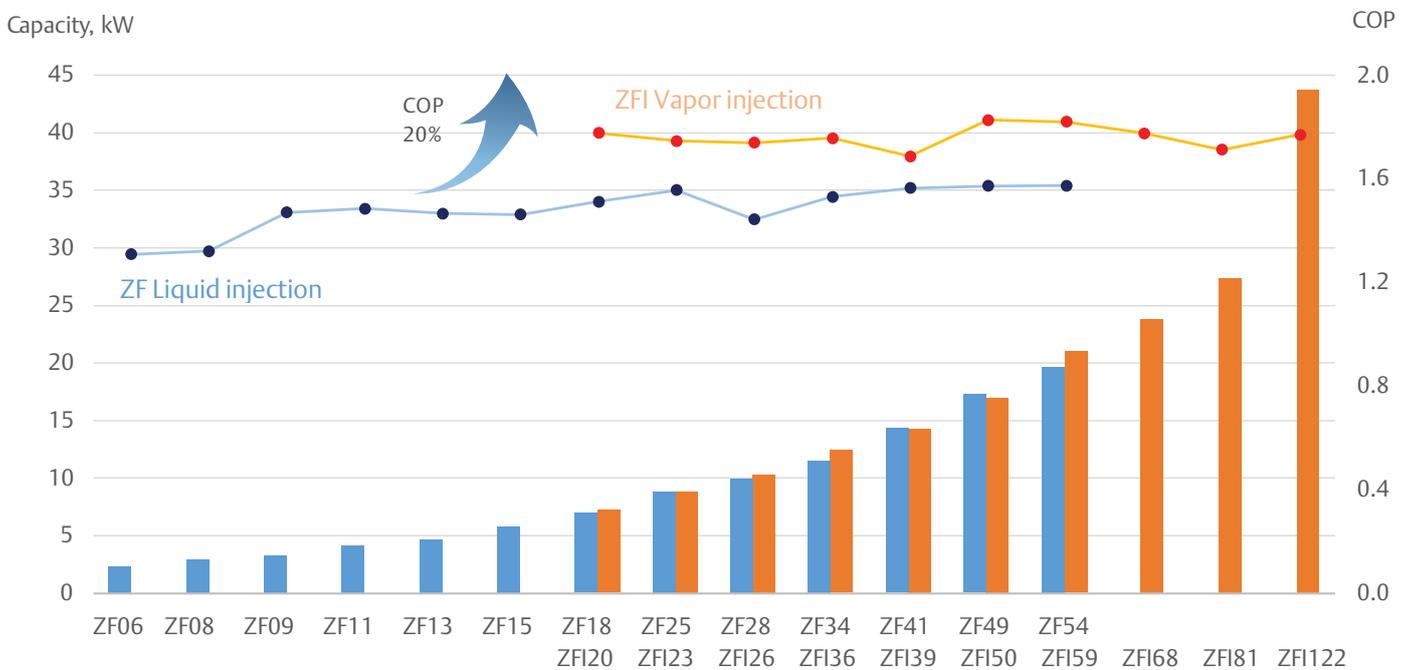
Note: — 20°C Return gas + Vapor injection — 20K Superheat + Vapor injection

Product line-up

R404A - 50 Hz



R404A - 60 Hz



Notes: Based on low temperature cold room conditions: -25°C evaporating, 45°C condensing and 20°C return gas temperature.

Performance data

TFC: 200 V ; 3-Phase, 50 Hz
TFD: 380-420 V ; 3-Phase, 50 Hz
Liquid injection

R22

Model			Cond. temp. °C	Evap. temp. °C										
				-40	-35	-30	-25	-20	-15	-10	-5	0	5	7
ZF06KQE	TFC	Q	30	1.15	1.46	1.82	2.24	2.73	3.31	3.98	4.74	5.62	6.61	7.05
			40	1.05	1.34	1.67	2.06	2.52	3.05	3.66	4.37	5.18	6.10	6.50
			50	0.97	1.23	1.53	1.88	2.29	2.77	3.32	3.96	4.70	5.55	5.91
	TFD	P	30	1.21	1.24	1.29	1.34	1.40	1.47	1.55	1.65	1.76	1.89	1.95
			40	1.43	1.47	1.52	1.58	1.64	1.70	1.78	1.87	1.98	2.10	2.15
			50	1.69	1.74	1.79	1.85	1.92	1.99	2.06	2.15	2.25	2.36	2.41
ZF08KQE	TFC	Q	30	1.41	1.79	2.23	2.75	3.36	4.07	4.89	5.83	6.91	8.13	8.66
			40	1.29	1.65	2.06	2.54	3.10	3.75	4.50	5.37	6.36	7.50	7.99
			50	1.19	1.52	1.89	2.32	2.82	3.40	4.09	4.87	5.78	6.82	7.27
	TFD	P	30	1.44	1.48	1.54	1.60	1.67	1.75	1.85	1.96	2.10	2.25	2.32
			40	1.70	1.76	1.81	1.88	1.95	2.03	2.12	2.23	2.35	2.50	2.56
			50	2.01	2.07	2.14	2.21	2.28	2.36	2.46	2.56	2.68	2.81	2.87
ZF09KQE	TFC	Q	30	1.59	2.01	2.50	3.09	3.78	4.58	5.51	6.58	7.79	9.17	9.77
			40	1.46	1.85	2.30	2.84	3.48	4.22	5.07	6.06	7.18	8.46	9.01
			50	1.34	1.69	2.11	2.59	3.16	3.83	4.60	5.50	6.52	7.69	8.20
	TFD	P	30	1.52	1.57	1.61	1.67	1.72	1.79	1.86	1.94	2.04	2.15	2.19
			40	1.80	1.85	1.90	1.95	2.01	2.07	2.14	2.22	2.31	2.41	2.45
			50	2.10	2.16	2.22	2.28	2.34	2.41	2.48	2.56	2.65	2.75	2.79
ZF11KQE	TFC	Q	30	1.97	2.49	3.10	3.82	4.67	5.65	6.78	8.07	9.54	11.20	11.91
			40	1.81	2.29	2.86	3.52	4.30	5.21	6.26	7.47	8.84	10.39	11.06
			50	1.65	2.08	2.59	3.19	3.89	4.72	5.67	6.78	8.04	9.47	10.09
	TFD	P	30	1.69	1.74	1.81	1.88	1.97	2.08	2.20	2.34	2.50	2.67	2.74
			40	2.00	2.06	2.13	2.21	2.30	2.40	2.52	2.65	2.80	2.97	3.04
			50	2.37	2.44	2.51	2.59	2.69	2.79	2.91	3.04	3.19	3.35	3.42
ZF13KQE	TFC	Q	30	2.30	2.89	3.60	4.44	5.44	6.60	7.94	9.48	11.23	13.21	14.07
			40	2.12	2.66	3.32	4.09	5.01	6.07	7.31	8.73	10.34	12.17	12.97
			50	1.93	2.43	3.02	3.72	4.55	5.51	6.63	7.93	9.41	11.08	11.82
	TFD	P	30	2.02	2.08	2.15	2.23	2.31	2.41	2.51	2.62	2.74	2.87	2.93
			40	2.38	2.45	2.52	2.61	2.70	2.81	2.92	3.04	3.17	3.31	3.37
			50	2.79	2.86	2.94	3.04	3.14	3.26	3.38	3.51	3.65	3.80	3.87
ZF15KQE	TFC	Q	30	2.79	3.52	4.39	5.42	6.63	8.03	9.63	11.47	13.54	15.87	16.87
			40	2.57	3.25	4.05	5.01	6.12	7.42	8.91	10.62	12.55	14.73	15.68
			50	2.34	2.95	3.68	4.54	5.56	6.74	8.11	9.68	11.46	13.48	14.35
	TFD	P	30	2.47	2.53	2.61	2.70	2.82	2.95	3.11	3.29	3.52	3.78	3.89
			40	2.89	2.97	3.06	3.15	3.27	3.40	3.55	3.74	3.95	4.19	4.30
			50	3.38	3.47	3.58	3.68	3.81	3.94	4.10	4.28	4.49	4.73	4.83
ZF18KQE	TFC	Q	30	3.25	4.12	5.17	6.42	7.89	9.60	11.58	13.84	16.41	19.31	20.57
			40	2.98	3.78	4.75	5.90	7.25	8.82	10.64	12.73	15.11	17.80	18.97
			50	2.69	3.42	4.30	5.34	6.56	7.99	9.65	11.55	13.73	16.20	17.27
	TFD	P	30	3.13	3.18	3.25	3.33	3.43	3.55	3.69	3.86	4.05	4.27	4.36
			40	3.68	3.75	3.82	3.91	4.02	4.14	4.29	4.46	4.65	4.86	4.96
			50	4.31	4.39	4.49	4.60	4.72	4.86	5.02	5.20	5.40	5.62	5.72
ZF25KQE	TFC	Q	30	4.08	5.17	6.48	8.04	9.89	12.04	14.52	17.35			
			40	3.73	4.74	5.95	7.39	9.09	11.06	13.34	15.96			
			50	3.37	4.29	5.39	6.69	8.22	10.02	12.09	14.48			
	TFD	P	30	3.93	3.99	4.07	4.17	4.30	4.45	4.63	4.84			
			40	4.62	4.70	4.79	4.90	5.04	5.19	5.38	5.59			
			50	5.40	5.50	5.62	5.76	5.92	6.09	6.29	6.52			
ZF28KQE	TFC	Q	30	4.79	6.07	7.61	9.45	11.62	14.14	17.06	20.39			
			40	4.39	5.57	7.00	8.69	10.68	13.00	15.68	18.76			
			50	3.96	5.04	6.33	7.86	9.66	11.77	14.21	17.02			
	TFD	P	30	4.72	4.79	4.88	5.01	5.16	5.34	5.55	5.80			
			40	5.54	5.63	5.75	5.88	6.04	6.23	6.45	6.70			
			50	6.48	6.61	6.75	6.91	7.10	7.31	7.55	7.82			
ZF34KQE	TFC	Q	30	5.31	6.77	8.52	10.59	13.01	15.82	19.06	22.74			
			40	4.81	6.19	7.83	9.75	12.00	14.59	17.58	20.99			
			50	4.22	5.51	7.03	8.79	10.84	13.22	15.95	19.06			
	TFD	P	30	4.32	4.50	4.68	4.87	5.06	5.26	5.46	5.66			
			40	4.95	5.21	5.46	5.71	5.95	6.19	6.42	6.64			
			50	5.67	6.02	6.36	6.68	6.98	7.27	7.53	7.77			
ZF41KQE	TFC	Q	30	6.35	8.03	10.03	12.41	15.21	18.48	22.26	26.61			
			40	5.80	7.40	9.27	11.46	14.03	17.01	20.46	24.42			
			50	5.09	6.61	8.36	10.38	12.72	15.43	18.56	22.15			
	TFD	P	30	5.24	5.49	5.75	6.01	6.27	6.53	6.80	7.06			
			40	6.05	6.38	6.71	7.03	7.35	7.66	7.97	8.27			
			50	6.95	7.36	7.76	8.16	8.53	8.90	9.26	9.61			
ZF49KQE	TFC	Q	30	7.81	9.82	12.30	15.28	18.78						
			40	7.10	8.99	11.31	14.08	17.33						
			50	6.23	8.00	10.16	12.72	15.71						
	TFD	P	30	6.48	6.68	6.94	7.25	7.59						
			40	7.52	7.76	8.08	8.45	8.86						
			50	8.78	9.07	9.43	9.86	10.32						
ZF54KQE	TFC	Q	30	8.99	11.36	14.18	17.49	21.36						
			40	8.31	10.54	13.16	16.23	19.82						
			50	7.50	9.56	11.96	14.78	18.06						
	TFD	P	30	4.26	4.73	5.16	5.62	6.14						
			40	5.54	6.02	6.48	6.95	7.47						
			50	7.25	7.80	8.31	8.83	9.40						

Notes:

1. Q for capacity; P for power. Units in kW
2. All ZF*KQE values are rated at return gas temperature: 20°C and subcooling: 0 K

Performance data

TFC: 200 V ; 3-Phase, 50 Hz

TFD: 380-420 V ; 3-Phase, 50 Hz

Vapor injection

R22

Model			Cond. temp. °C	Evap. temp. °C											
				-40	-35	-30	-25	-20	-15	-10	-5	0	5	7	
ZF120KQE	TFC	Q	30	2.56	3.22	4.01	4.94	6.00	7.18	8.47	9.87	11.37	12.97	13.64	
			40	2.55	3.21	3.99	4.90	5.93	7.06	8.30	9.63	11.06	12.56	13.18	
			50	2.32	2.99	3.78	4.68	5.68	6.78	7.97	9.24	10.59	12.01	12.60	
	TFD	P	30	2.14	2.18	2.27	2.39	2.55	2.72	2.91	3.09	3.28	3.45	3.51	
			40	2.39	2.50	2.63	2.76	2.90	3.02	3.13	3.22	3.26	3.27	3.26	
			50	2.98	3.13	3.27	3.39	3.48	3.53	3.53	3.48	3.37	3.18	3.09	
	LO	30	-7.70	-6.20	-4.40	-1.80	1.30	4.90	8.80	12.80	16.70	20.60	22.00		
		40	-4.90	-3.60	-1.70	0.90	4.30	8.10	12.20	16.30	20.40	24.40	25.90		
		50	3.60	2.60	3.10	5.00	7.90	11.60	15.60	19.80	23.90	28.00	29.50		
ZF126KQE	TFC	Q	30	3.85	4.79	5.97	7.36	8.94	10.66	12.51	14.45	16.45	18.49	19.30	
			40	3.79	4.73	5.89	7.25	8.78	10.45	12.22	14.07	15.96	17.87	18.63	
			50	3.44	4.38	5.55	6.89	8.38	9.99	11.70	13.47	15.26	17.06	17.77	
	TFD	P	30	2.98	3.08	3.21	3.36	3.57	3.84	4.19	4.65	5.21	5.91	6.23	
			40	3.37	3.57	3.75	3.92	4.10	4.31	4.56	4.86	5.24	5.70	5.91	
			50	4.23	4.49	4.69	4.84	4.95	5.05	5.15	5.26	5.41	5.60	5.69	
	LO	30	-5.40	-3.40	-1.70	0.50	3.50	7.20	11.50	16.20	21.10	26.10	28.10		
		40	-2.20	-0.40	1.20	3.50	6.60	10.50	15.00	19.80	24.80	29.90	32.00		
		50	6.20	5.90	6.20	7.70	10.40	14.10	18.50	23.30	28.40	33.60	35.60		
ZF136KQE	TFC	Q	30	5.37	6.66	8.04	9.62	11.52	13.85	16.72	20.25				
			40	5.00	6.28	7.63	9.17	11.02	13.29	16.09	19.54				
			50	4.41	5.65	6.96	8.44	10.22	12.42	15.13	18.49				
	TFD	P	30	3.08	3.38	3.73	4.11	4.51	4.90	5.29	5.64				
			40	4.00	4.27	4.57	4.90	5.24	5.57	5.88	6.16				
			50	5.64	5.82	6.03	6.27	6.51	6.73	6.93	7.09				
	LO	30	-12.40	-11.80	-7.70	-3.60	-0.90	-0.30	-1.70	-5.00					
		40	-2.20	-3.10	0.10	3.60	5.80	6.10	4.40	0.90					
		50	5.20	3.80	6.80	10.30	12.40	12.60	10.80	7.20					
ZF139KQE	TFC	Q	30	6.15	7.66	9.25	11.06	13.23	15.92	19.27	23.43				
			40	5.74	7.22	8.77	10.54	12.66	15.28	18.55	22.62				
			50	5.07	6.51	8.00	9.70	11.74	14.28	17.46	21.42				
	TFD	P	30	3.50	3.78	4.16	4.60	5.06	5.47	5.80	6.01				
			40	4.50	4.75	5.10	5.49	5.87	6.22	6.46	6.57				
			50	6.32	6.49	6.74	7.02	7.30	7.51	7.62	7.58				
	LO	30	-19.40	-14.90	-10.50	-6.90	-4.30	-3.00	-2.90	-3.80					
		40	-6.70	-5.20	-2.40	0.40	2.50	3.50	3.40	2.30					
		50	2.00	2.10	4.50	7.20	9.20	10.20	10.10	9.00					
ZF150KQE	TFC	Q	30	7.46	9.11	10.98	13.16	15.76	18.89	22.65	27.14				
			40	6.89	8.55	10.40	12.54	15.08	18.12	21.77	26.12				
			50	6.04	7.67	9.48	11.55	14.00	16.92	20.43	24.63				
	TFD	P	30	4.09	4.41	4.87	5.39	5.92	6.40	6.77	6.99				
			40	5.26	5.55	5.96	6.42	6.88	7.27	7.55	7.65				
			50	7.39	7.59	7.88	8.22	8.54	8.78	8.90	8.82				
	LO	30	-12.90	-11.40	-7.40	-3.50	-0.90	-0.10	-1.00	-3.50					
		40	-2.20	-2.40	0.40	3.60	5.70	6.20	5.10	2.60					
		50	5.30	4.40	7.10	10.20	12.30	12.80	11.70	9.10					
ZF159KQE	TFC	Q	30	8.79	10.88	13.11	15.67	18.75	22.54	27.23	32.99				
			40	8.19	10.25	12.43	14.93	17.94	21.63	26.19	31.81				
			50	7.19	9.20	11.32	13.74	16.64	20.21	24.63	30.10				
	TFD	P	30	5.07	5.37	5.91	6.57	7.23	7.76	8.05	7.97				
			40	6.45	6.73	7.23	7.83	8.40	8.83	8.98	8.74				
			50	9.02	9.20	9.58	10.03	10.43	10.66	10.60	10.12				
	LO	30	-11.60	-9.20	-5.00	-1.20	1.30	2.20	1.40	-0.70					
		40	-0.50	-0.20	2.70	5.80	7.80	8.40	7.50	5.10					
		50	7.30	6.60	9.30	12.30	14.30	14.90	13.90	11.50					
ZF168KQE	TFC	Q	30	10.54	12.93	15.57	18.63	22.31							
			40	9.77	12.15	14.76	17.76	21.34							
			50	8.55	10.90	13.44	16.35	19.81							
	TFD	P	30	5.92	6.38	7.04	7.79	8.56							
			40	7.61	8.03	8.62	9.29	9.95							
			50	10.69	10.97	11.40	11.89	12.35							
	LO	30	-9.50	-8.30	-4.20	-0.20	2.30								
		40	0.70	0.30	3.30	6.70	8.80								
		50	8.20	7.10	10.00	13.20	15.20								
ZF1122KQE	TEC	Q	30	19.81	23.68	28.57	34.68	42.18	51.26	62.10	74.88				
			40	19.42	23.58	28.34	33.36	40.00	47.83	57.05	67.82				
			50			26.57	31.90	37.83	44.57	52.15	61.16				
	TED	P	30	11.73	12.30	12.90	13.56	14.30	15.14	16.12	17.26				
			40	14.80	15.48	16.12	16.60	17.33	18.11	18.97	19.94				
			50			20.01	20.72	21.40	21.99	22.76	23.58				
	LO	30	-20.50	-9.30	-1.90	2.60	4.90	5.50	5.10	3.70					
		40	-6.70	-3.50	1.70	7.00	11.60	15.10	17.50	18.90					
		50			9.50	13.50	18.80	24.10	28.60	32.10					

Notes:

1. Q for capacity, P for power. Units in kW; LO for liquid out temperature in °C
2. All ZF*KQE values are rated at return gas temperature: 20°C and max subcooling
3. 20K Superheat

Performance data

TF7: 380 V ; 3-Phase, 60 Hz
 TFC : 208-230 V ; 3-Phase, 60 Hz
 TFD : 460 V ; 3-Phase, 60 Hz

Liquid injection

R22

Model			Cond. temp. °C	Evap. temp. °C										
				-40	-35	-30	-25	-20	-15	-10	-5	0	5	7
ZF06KQE	TFC	Q	30	1.32	1.66	2.08	2.59	3.18	3.87	4.66	5.54	6.54	7.64	8.11
			40	1.23	1.55	1.94	2.42	2.97	3.61	4.35	5.17	6.10	7.13	7.57
			50	1.15	1.44	1.80	2.23	2.73	3.32	3.99	4.75	5.59	6.54	6.94
	TFD	P	30	1.31	1.35	1.39	1.44	1.49	1.56	1.65	1.75	1.88	2.05	2.12
			40	1.57	1.60	1.64	1.67	1.71	1.77	1.85	1.95	2.07	2.23	2.30
			50	1.90	1.92	1.94	1.96	2.00	2.05	2.12	2.21	2.33	2.48	2.55
ZF08KQE	TFC	Q	30	1.68	2.11	2.64	3.29	4.04	4.92	5.92	7.05	8.31	9.71	10.31
			40	1.57	1.97	2.47	3.07	3.78	4.60	5.53	6.58	7.76	9.06	9.62
			50	1.46	1.83	2.29	2.83	3.47	4.22	5.07	6.03	7.11	8.31	8.83
	TFD	P	30	1.63	1.68	1.73	1.79	1.86	1.94	2.05	2.18	2.34	2.55	2.64
			40	1.96	2.00	2.03	2.08	2.13	2.20	2.30	2.42	2.58	2.77	2.86
			50	2.36	2.39	2.41	2.44	2.49	2.55	2.63	2.75	2.89	3.08	3.17
ZF09KQE	TFC	Q	30	1.92	2.43	3.03	3.74	4.56	5.52	6.64	7.92	9.38	11.04	11.77
			40	1.76	2.24	2.80	3.45	4.20	5.09	6.11	7.29	8.65	10.19	10.86
			50	1.62	2.06	2.56	3.14	3.83	4.62	5.55	6.62	7.85	9.26	9.87
	TFD	P	30	1.64	1.69	1.75	1.82	1.91	2.00	2.11	2.25	2.40	2.58	2.66
			40	1.95	2.01	2.07	2.15	2.23	2.32	2.43	2.55	2.69	2.86	2.93
			50	2.30	2.37	2.44	2.52	2.61	2.70	2.81	2.93	3.07	3.22	3.29
ZF11KQE	TFC	Q	30	2.38	3.01	3.75	4.62	5.63	6.81	8.16	9.70	11.46	13.44	14.30
			40	2.18	2.76	3.45	4.25	5.19	6.28	7.54	8.99	10.63	12.50	13.31
			50	1.98	2.51	3.12	3.84	4.69	5.68	6.83	8.16	9.68	11.40	12.16
	TFD	P	30	1.82	1.89	1.98	2.09	2.22	2.37	2.54	2.75	2.97	3.23	3.34
			40	2.16	2.24	2.33	2.44	2.57	2.72	2.89	3.08	3.29	3.53	3.63
			50	2.57	2.66	2.77	2.88	3.01	3.16	3.32	3.51	3.71	3.94	4.04
ZF13KQE	TF7	Q	30	2.75	3.46	4.33	5.35	6.56	7.96	9.57	11.41	13.49	15.83	16.84
			40	2.54	3.20	3.99	4.94	6.04	7.33	8.81	10.51	12.43	14.60	15.54
			50	2.30	2.90	3.62	4.48	5.48	6.65	8.00	9.55	11.31	13.31	14.17
	TFD	P	30	2.17	2.29	2.41	2.53	2.64	2.75	2.85	2.95	3.04	3.12	3.14
			40	2.55	2.67	2.80	2.94	3.08	3.22	3.37	3.53	3.68	3.83	3.90
			50	2.97	3.08	3.21	3.36	3.52	3.70	3.88	4.09	4.30	4.52	4.61
ZF15KQE	TF7	Q	30	3.38	4.27	5.32	6.57	8.02	9.70	11.63	13.82	16.29	19.06	20.25
			40	3.12	3.94	4.92	6.07	7.41	8.97	10.76	12.80	15.11	17.70	18.82
			50	2.83	3.57	4.46	5.50	6.73	8.15	9.79	11.67	13.80	16.20	17.24
	TFD	P	30	2.75	2.84	2.95	3.08	3.25	3.45	3.68	3.96	4.28	4.64	4.80
			40	3.21	3.32	3.44	3.58	3.74	3.94	4.16	4.42	4.73	5.07	5.22
			50	3.75	3.87	4.01	4.16	4.33	4.53	4.76	5.01	5.30	5.63	5.77
ZF18KQE	TF7	Q	30	3.96	5.02	6.28	7.79	9.56	11.63	14.01	16.75	19.86	23.37	24.89
			40	3.65	4.62	5.79	7.17	8.79	10.68	12.87	15.39	18.26	21.50	22.91
			50	3.31	4.20	5.26	6.51	7.97	9.69	11.68	13.97	16.59	19.57	20.86
	TFD	P	30	3.38	3.43	3.52	3.66	3.83	4.03	4.23	4.44	4.63	4.81	4.88
			40	3.94	4.01	4.12	4.29	4.48	4.70	4.94	5.18	5.41	5.62	5.70
			50	4.57	4.66	4.80	4.98	5.21	5.46	5.73	6.00	6.27	6.53	6.62
ZF25KQE	TF7	Q	30	4.97	6.29	7.88	9.76	11.99	14.58	17.57	21.00			
			40	4.57	5.80	7.26	8.99	11.02	13.39	16.14	19.30			
			50	4.15	5.27	6.59	8.16	10.00	12.15	14.64	17.52			
	TFD	P	30	4.24	4.30	4.42	4.59	4.81	5.05	5.30	5.56			
			40	4.95	5.02	5.17	5.37	5.62	5.90	6.19	6.49			
			50	5.74	5.84	6.01	6.25	6.53	6.85	7.18	7.52			
ZF28KQE	TF7	Q	30	5.84	7.39	9.26	11.47	14.08	17.13	20.64	24.67			
			40	5.37	6.81	8.52	10.56	12.95	15.74	18.97	22.67			
			50	4.87	6.19	7.74	9.58	11.75	14.28	17.21	20.58			
	TFD	P	30	5.09	5.15	5.30	5.51	5.77	6.06	6.37	6.68			
			40	5.93	6.03	6.20	6.45	6.74	7.08	7.43	7.79			
			50	6.88	7.01	7.22	7.50	7.84	8.21	8.62	9.03			
ZF34KQE	TF7	Q	30	6.40	8.16	10.27	12.76	15.68	19.06	22.96	27.40			
			40	5.79	7.46	9.43	11.75	14.45	17.58	21.18	25.28			
			50	5.08	6.64	8.47	10.59	13.07	15.92	19.21	22.96			
	TFD	P	30	5.21	5.42	5.64	5.86	6.10	6.33	6.58	6.82			
			40	5.96	6.27	6.58	6.88	7.17	7.46	7.73	8.00			
			50	6.83	7.25	7.66	8.04	8.41	8.75	9.07	9.37			
ZF41KQE	TF7	Q	30	7.65	9.67	12.09	14.95	18.32	22.26	26.82	32.06			
			40	6.99	8.91	11.16	13.81	16.90	20.49	24.65	29.43			
			50	6.13	7.97	10.07	12.51	15.33	18.59	22.36	26.69			
	TFD	P	30	6.31	6.62	6.93	7.24	7.55	7.87	8.19	8.51			
			40	7.29	7.69	8.08	8.47	8.85	9.23	9.60	9.96			
			50	8.38	8.87	9.35	9.83	10.28	10.73	11.16	11.57			
ZF49KQE	TF7	Q	30	9.41	11.83	14.82	18.41	22.63						
			40	8.56	10.84	13.63	16.97	20.88						
			50	7.50	9.64	12.24	15.32	18.93						
	TFD	P	30	7.81	8.04	8.36	8.73	9.14						
			40	9.06	9.35	9.74	10.18	10.67						
			50	10.58	10.92	11.36	11.88	12.44						
ZF54KQE	TF7	Q	30	10.79	13.63	17.01	20.99	25.64						
			40	9.98	12.65	15.79	19.48	23.79						
			50	9.00	11.47	14.35	17.73	21.68						
	TFD	P	30	7.93	8.49	9.01	9.56	10.19						
			40	9.46	10.05	10.59	11.16	11.79						
			50	11.51	12.18	12.79	13.41	14.09						

Notes:

1. Q for capacity; P for power. Units in kW
2. All ZF* KQE values are rated at return gas temperature: 20°C and subcooling: 0 K

Performance data

TF7: 380 V ; 3-Phase, 60 Hz
 TFC : 208-230 V ; 3-Phase, 60 Hz
 TFD : 460 V ; 3-Phase, 60 Hz

Vapor injection

R22

Model			Cond. temp. °C	Evap. temp. °C										
				-40	-35	-30	-25	-20	-15	-10	-5	0	5	7
ZFI20KQE	TF7 TFC TFD	Q	30	3.17	3.98	4.96	6.11	7.42	8.88	10.50	12.26	14.16	16.21	17.06
			40	3.16	3.98	4.96	6.08	7.35	8.75	10.30	11.97	13.77	15.70	16.50
			50	2.88	3.72	4.70	5.81	7.05	8.41	9.89	11.49	13.21	15.02	15.78
	P	30	2.47	2.52	2.62	2.76	2.93	3.14	3.36	3.62	3.88	4.16	4.28	
		40	2.77	2.91	3.05	3.21	3.36	3.50	3.64	3.77	3.87	3.96	3.99	
		50	3.46	3.65	3.81	3.94	4.04	4.10	4.12	4.09	4.00	3.86	3.79	
	LO	30	-6.90	-5.80	-4.00	-1.40	1.80	5.30	8.90	12.50	16.00	19.30	20.50	
		40	-5.00	-4.00	-2.00	0.90	4.40	8.10	12.00	15.90	19.60	23.10	24.40	
		50	3.50	2.00	2.60	4.70	7.80	11.40	15.30	19.20	23.00	26.60	28.00	
ZFI26KQE	TF7 TFC TFD	Q	30	4.70	5.84	7.28	8.97	10.89	12.99	15.24	17.60	20.04	22.51	23.50
			40	4.63	5.78	7.19	8.85	10.71	12.74	14.89	17.13	19.43	21.75	22.67
			50	4.20	5.36	6.77	8.41	10.23	12.20	14.27	16.42	18.60	20.78	21.64
	P	30	3.51	3.64	3.79	3.98	4.23	4.56	4.99	5.54	6.24	7.10	7.50	
		40	3.95	4.20	4.42	4.63	4.85	5.10	5.41	5.79	6.27	6.86	7.14	
		50	4.98	5.29	5.52	5.70	5.84	5.96	6.09	6.25	6.45	6.72	6.85	
	LO	30	-3.00	-1.60	0.00	2.30	5.30	8.80	12.70	16.90	21.30	25.60	27.40	
		40	-0.30	0.90	2.60	5.00	8.10	11.90	16.00	20.40	24.90	29.40	31.20	
		50	7.70	6.90	7.30	9.00	11.70	15.30	19.40	23.80	28.40	33.10	34.90	
ZFI36KQE	TF7 TFC TFD	Q	30	6.45	8.00	9.65	11.54	13.82	16.63	20.12	24.42			
			40	6.00	7.53	9.15	10.99	13.21	15.95	19.35	23.56			
			50	5.29	6.78	8.35	10.12	12.26	14.91	18.20	22.28			
	P	30	3.63	3.99	4.40	4.85	5.32	5.79	6.23	6.62				
		40	4.73	5.03	5.39	5.78	6.18	6.57	6.93	7.24				
		50	6.66	6.87	7.12	7.40	7.68	7.94	8.17	8.33				
	LO	30	-10.70	-10.10	-5.90	-1.70	0.80	1.10	-0.80	-4.70				
		40	-0.40	-1.40	1.80	5.30	7.40	7.40	5.30	1.30				
		50	6.70	5.20	8.30	11.80	13.90	13.90	11.70	7.60				
ZFI39KQE	TF7 TFC TFD	Q	30	7.41	9.17	11.08	13.27	15.89	19.09	23.01	27.81			
			40	6.89	8.64	10.51	12.64	15.20	18.32	22.14	26.82			
			50	6.08	7.78	9.58	11.64	14.10	17.11	20.81	25.35			
	P	30	4.10	4.47	4.93	5.44	5.96	6.47	6.93	7.30				
		40	5.31	5.63	6.03	6.48	6.93	7.35	7.71	7.98				
		50	7.46	7.68	7.97	8.28	8.60	8.88	9.09	9.19				
	LO	30	-17.90	-13.00	-8.60	-5.20	-2.70	-1.30	-0.90	-1.40				
		40	-5.00	-3.20	-0.60	2.00	3.90	5.10	5.30	4.80				
		50	3.60	4.00	6.10	8.60	10.60	11.80	12.10	11.50				
ZFI50KQE	TF7 TFC TFD	Q	30	9.02	11.02	13.28	15.92	19.08	22.86	27.41	32.84			
			40	8.34	10.35	12.59	15.18	18.25	21.93	26.34	31.61			
			50	7.30	9.29	11.47	13.98	16.94	20.48	24.72	29.80			
	P	30	4.88	5.27	5.82	6.44	7.07	7.64	8.09	8.34				
		40	6.28	6.64	7.12	7.67	8.22	8.69	9.02	9.14				
		50	8.83	9.07	9.42	9.82	10.20	10.50	10.63	10.54				
	LO	30	-12.80	-11.30	-7.40	-3.50	-0.90	-0.10	-0.90	-3.20				
		40	-2.10	-2.40	0.50	3.60	5.70	6.20	5.30	2.80				
		50	5.20	4.40	7.10	10.20	12.30	12.80	11.80	9.30				
ZFI59KQE	TF7 TFC TFD	Q	30	10.78	13.13	15.81	18.96	22.71	27.21	32.59	39.00			
			40	9.96	12.33	14.98	18.07	21.73	26.10	31.31	37.52			
			50	8.70	11.05	13.65	16.64	20.17	24.37	29.39	35.35			
	P	30	5.87	6.45	7.12	7.85	8.61	9.36	10.08	10.73				
		40	7.63	8.13	8.72	9.35	10.00	10.64	11.23	11.73				
		50	10.77	11.11	11.52	11.97	12.43	12.85	13.22	13.49				
	LO	30	-11.50	-8.10	-4.30	-1.10	1.20	2.50	2.80	2.30				
		40	0.30	1.20	3.40	5.80	7.70	8.70	8.90	8.20				
		50	7.60	7.70	9.80	12.20	14.10	15.20	15.50	14.90				
ZFI68KQE	TF7 TFC TFD	Q	30	12.64	15.56	18.75	22.45	26.88						
			40	11.73	14.64	17.78	21.40	25.71						
			50	10.30	13.15	16.20	19.70	23.86						
	P	30	7.03	7.49	8.25	9.16	10.07							
		40	8.97	9.40	10.10	10.91	11.70							
		50	12.57	12.85	13.37	13.98	14.53							
	LO	30	-8.50	-5.20	-1.30	2.10	4.50							
		40	2.80	3.70	6.30	8.90	10.80							
		50	10.50	10.40	12.60	15.20	17.10							
ZFI122KQE	TE7 TEC TED	Q	30	23.12	27.63	33.35	40.48	49.23	59.83	72.48	87.40			
			40	22.59	27.44	32.99	38.94	46.69	55.83	66.58	79.16			
			50			30.92	37.15	44.07	51.94	60.87	71.39			
	P	30	14.17	14.86	15.58	16.38	17.27	18.30	19.48	20.86				
		40	17.80	18.63	19.41	20.05	20.93	21.88	22.92	24.09				
		50			24.10	24.98	25.81	26.57	27.50	28.49				
	LO	30	-14.60	-3.80	3.30	7.50	9.70	10.40	9.90	8.60				
		40	-1.30	1.70	6.70	11.80	16.20	19.60	21.80	23.10				
		50			14.20	18.00	23.20	28.20	32.50	35.90				

- Notes:**
 1. Q for capacity, P for power. Units in kW; LO for liquid out temperature in °C
 2. All ZF*KQE values are rated at return gas temperature: 20°C and max subcooling
 3. 20K Superheat

Performance data

TFC: 200 V ; 3-Phase, 50 Hz
TFD: 380-420 V ; 3-Phase, 50 Hz

Liquid injection

R404A

Model			Cond. temp. °C	Evap. temp. °C										
				-40	-35	-30	-25	-20	-15	-10	-5	0	5	7
ZF06KQE	TFC	Q	30	1.28	1.61	2.00	2.47	3.01	3.64	4.38	5.22	6.19	7.28	7.76
			40	1.13	1.43	1.77	2.18	2.65	3.21	3.85	4.58	5.43	6.39	6.81
			50	0.96	1.22	1.51	1.85	2.25	2.71	3.25	3.87	4.59	5.41	5.77
	TFD	P	30	1.17	1.23	1.30	1.37	1.45	1.54	1.64	1.75	1.87	2.00	2.05
			40	1.40	1.46	1.52	1.59	1.67	1.76	1.85	1.96	2.08	2.20	2.26
			50	1.72	1.77	1.82	1.89	1.96	2.04	2.13	2.24	2.35	2.47	2.52
ZF08KQE	TFC	Q	30	1.58	1.98	2.46	3.03	3.70	4.48	5.38	6.42	7.61	8.96	9.54
			40	1.39	1.75	2.18	2.68	3.26	3.94	4.73	5.64	6.68	7.86	8.37
			50	1.18	1.50	1.86	2.28	2.77	3.34	4.00	4.76	5.64	6.65	7.10
	TFD	P	30	1.39	1.47	1.54	1.63	1.73	1.84	1.95	2.08	2.22	2.37	2.44
			40	1.67	1.74	1.81	1.89	1.99	2.09	2.21	2.33	2.47	2.62	2.69
			50	2.05	2.10	2.17	2.25	2.33	2.43	2.54	2.66	2.79	2.94	3.00
ZF09KQE	TFC	Q	30	1.71	2.17	2.71	3.35	4.10	4.97	5.97	7.13	8.45	9.96	10.61
			40	1.53	1.94	2.41	2.96	3.60	4.35	5.23	6.23	7.39	8.71	9.29
			50	1.32	1.67	2.07	2.52	3.06	3.69	4.42	5.27	6.25	7.38	7.88
	TFD	P	30	1.46	1.48	1.52	1.57	1.65	1.74	1.84	1.96	2.09	2.23	2.29
			40	1.77	1.78	1.81	1.86	1.92	2.00	2.10	2.21	2.33	2.47	2.52
			50	2.16	2.16	2.18	2.22	2.27	2.34	2.43	2.53	2.65	2.78	2.84
ZF11KQE	TFC	Q	30	2.17	2.74	3.41	4.19	5.10	6.16	7.41	8.85	10.50	12.39	13.22
			40	1.94	2.45	3.03	3.70	4.49	5.41	6.49	7.75	9.20	10.86	11.60
			50	1.65	2.09	2.58	3.15	3.81	4.58	5.48	6.55	7.78	9.22	9.86
	TFD	P	30	1.79	1.82	1.87	1.94	2.03	2.14	2.27	2.41	2.57	2.75	2.83
			40	2.13	2.15	2.20	2.26	2.34	2.45	2.57	2.70	2.85	3.02	3.09
			50	2.53	2.56	2.60	2.67	2.75	2.85	2.97	3.10	3.24	3.40	3.47
ZF13KQE	TFC	Q	30	2.45	3.15	3.98	4.93	6.03	7.30	8.74	10.36	12.19	14.24	15.12
			40	2.19	2.78	3.48	4.31	5.27	6.38	7.66	9.11	10.76	12.61	13.41
			50	1.94	2.40	2.95	3.62	4.42	5.35	6.44	7.70	9.13	10.77	11.48
	TFD	P	30	1.87	1.93	2.00	2.08	2.19	2.30	2.44	2.59	2.76	2.95	3.03
			40	2.27	2.33	2.41	2.49	2.59	2.70	2.83	2.97	3.13	3.30	3.37
			50	2.78	2.85	2.93	3.02	3.12	3.23	3.35	3.48	3.62	3.78	3.85
ZF15KQE	TFC	Q	30	3.01	3.89	4.91	6.08	7.44	9.01	10.82	12.89	15.26	17.93	19.10
			40	2.66	3.42	4.29	5.30	6.47	7.84	9.43	11.26	13.36	15.76	16.81
			50	2.36	2.95	3.64	4.44	5.40	6.53	7.86	9.41	11.22	13.31	14.22
	TFD	P	30	2.21	2.33	2.45	2.58	2.73	2.90	3.09	3.31	3.56	3.85	3.97
			40	2.68	2.82	2.95	3.09	3.24	3.41	3.60	3.80	4.04	4.30	4.41
			50	3.26	3.42	3.58	3.73	3.90	4.07	4.25	4.45	4.67	4.92	5.02
ZF18KQE	TFC	Q	30	3.70	4.70	5.85	7.20	8.78	10.64	12.81	15.33	18.25	21.58	23.04
			40	3.29	4.17	5.17	6.34	7.70	9.30	11.17	13.36	15.91	18.84	20.13
			50	2.81	3.57	4.41	5.37	6.50	7.83	9.40	11.25	13.42	15.94	17.06
	TFD	P	30	2.79	2.89	3.01	3.14	3.29	3.46	3.65	3.85	4.07	4.30	4.40
			40	3.29	3.40	3.53	3.67	3.83	4.00	4.18	4.38	4.59	4.82	4.91
			50	3.92	4.04	4.18	4.33	4.49	4.67	4.85	5.05	5.26	5.48	5.57
ZF25KQE	TFC	Q	30	4.59	5.81	7.32	9.08	11.09	13.32	15.75	18.37			
			40	4.09	5.12	6.42	7.96	9.73	11.71	13.87	16.20			
			50	3.63	4.45	5.50	6.79	8.28	9.96	11.81	13.82			
	TFD	P	30	3.03	3.31	3.54	3.76	4.00	4.30	4.67	5.16			
			40	3.43	3.80	4.11	4.39	4.69	5.03	5.44	5.95			
			50	3.84	4.31	4.72	5.09	5.46	5.85	6.32	6.87			
ZF28KQE	TFC	Q	30	5.25	6.65	8.36	10.38	12.67	15.22	18.00	21.00			
			40	4.67	5.85	7.34	9.10	11.12	13.38	15.85	18.51			
			50	4.15	5.08	6.29	7.76	9.46	11.39	13.50	15.79			
	TFD	P	30	3.74	4.08	4.37	4.64	4.94	5.30	5.76	6.37			
			40	4.23	4.68	5.07	5.42	5.78	6.20	6.71	7.34			
			50	4.74	5.32	5.82	6.28	6.73	7.22	7.79	8.48			
ZF34KQE	TFC	Q	30	6.03	7.72	9.67	11.94	14.57	17.62	21.16	25.23			
			40	5.30	6.82	8.54	10.51	12.79	15.44	18.51	22.06			
			50	4.47	5.79	7.25	8.90	10.81	13.01	15.59	18.58			
	TFD	P	30	4.18	4.41	4.67	4.93	5.22	5.53	5.85	6.20			
			40	4.85	5.16	5.46	5.77	6.08	6.40	6.73	7.07			
			50	5.66	6.04	6.41	6.77	7.13	7.48	7.82	8.16			
ZF41KQE	TFC	Q	30	7.57	9.62	11.96	14.69	17.88	21.62	25.98	31.04			
			40	6.71	8.56	10.62	12.98	15.71	18.90	22.64	26.99			
			50	5.65	7.29	9.06	11.04	13.31	15.96	19.05	22.68			
	TFD	P	30	5.07	5.40	5.75	6.11	6.48	6.88	7.30	7.75			
			40	5.95	6.33	6.72	7.12	7.52	7.94	8.36	8.81			
			50	6.95	7.40	7.85	8.29	8.74	9.18	9.63	10.09			
ZF49KQE	TFC	Q	30	9.14	11.54	14.39	17.75	21.67						
			40	8.07	10.21	12.72	15.65	19.05						
			50	6.80	8.66	10.80	13.27	16.14						
	TFD	P	30	6.24	6.53	6.90	7.33	7.81						
			40	7.36	7.67	8.06	8.52	9.02						
			50	8.73	9.07	9.48	9.97	10.51						
ZF54KQE	TFC	Q	30	10.46	13.21	16.47	20.31	24.80						
			40	9.23	11.69	14.56	17.91	21.80						
			50	7.78	9.91	12.36	15.19	18.47						
	TFD	P	30	7.14	7.47	7.90	8.39	8.94						
			40	8.42	8.77	9.22	9.75	10.33						
			50	9.99	10.37	10.85	11.41	12.03						

Notes:

1. Q for capacity; P for power. Units in kW
2. All ZF*KQE values are rated at return gas temperature: 20°C and subcooling: 0 K

Performance data

R404A

TFC: 200 V ; 3-Phase, 50 Hz

TFD: 380-420 V ; 3-Phase, 50 Hz

Vapor injection

Model			Cond. temp. °C	Evap. temp. °C										
				-40	-35	-30	-25	-20	-15	-10	-5	0	5	7
ZF120KQE	TFC	Q	30	3.43	4.28	5.23	6.30	7.50	8.86	10.40	12.14	14.09	16.28	17.23
			40	3.25	4.07	4.99	6.04	7.23	8.60	10.14	11.90	13.88	16.11	17.08
			50	2.92	3.70	4.59	5.62	6.80	8.17	9.73	11.50	13.51	15.76	16.74
	TFD	P	30	2.17	2.23	2.30	2.38	2.46	2.53	2.58	2.62	2.62	2.59	2.57
			40	2.73	2.78	2.84	2.92	3.01	3.09	3.16	3.22	3.25	3.27	3.26
			50	3.56	3.58	3.62	3.68	3.75	3.82	3.90	3.96	4.01	4.04	4.05
	LO	30	-13.50	-9.80	-6.10	-2.00	2.30	6.50	10.50	14.20	17.40	20.00	20.90	
		40	-6.70	-4.80	-2.20	1.00	4.60	8.30	12.00	15.40	18.20	20.60	21.40	
		50	6.00	4.80	5.10	6.50	8.90	11.60	14.50	17.20	19.70	21.80	22.50	
ZF126KQE	TFC	Q	30	5.14	6.29	7.61	9.14	10.90	12.91	15.20	17.79	20.72	24.02	25.44
			40	5.09	6.12	7.33	8.74	10.39	12.30	14.49	17.01	19.86	23.06	24.45
			50	5.08	5.97	7.03	8.32	9.84	11.62	13.70	16.10	18.83	21.94	23.30
	TFD	P	30	3.22	3.38	3.54	3.70	3.84	3.98	4.11	4.24	4.37	4.50	4.55
			40	3.85	4.07	4.28	4.47	4.65	4.81	4.97	5.12	5.26	5.39	5.44
			50	4.74	5.01	5.26	5.50	5.70	5.90	6.07	6.24	6.38	6.52	6.57
	LO	30	-13.00	-8.10	-4.00	-0.10	3.70	7.20	10.50	13.60	16.10	18.10	18.80	
		40	-10.10	-5.20	-0.80	3.30	7.30	10.90	14.20	17.10	19.50	21.50	22.10	
		50	-7.30	-2.10	2.60	7.00	11.10	14.90	18.20	21.00	23.40	25.10	25.70	
ZF136KQE	TFC	Q	30	6.48	8.01	9.76	11.70	13.85	16.20	18.73	21.45			
			40	6.29	7.67	9.27	11.08	13.09	15.32	17.74	20.32			
			50	6.24	7.42	8.82	10.43	12.26	14.30	16.54	18.97			
	TFD	P	30	3.78	4.05	4.29	4.52	4.75	4.97	5.19	5.42			
			40	4.46	4.86	5.21	5.52	5.80	6.05	6.27	6.47			
			50	5.21	5.78	6.29	6.72	7.09	7.42	7.69	7.91			
	LO	30	-13.80	-10.00	-5.40	-0.70	3.90	8.10	12.00	15.40				
		40	-10.80	-5.80	-0.50	4.50	9.10	13.20	16.90	20.20				
		50	-11.10	-3.70	3.00	9.00	14.20	18.50	22.30	25.40				
ZF139KQE	TFC	Q	30	7.44	9.19	11.19	13.43	15.89	18.58	21.49	24.61			
			40	7.22	8.80	10.63	12.71	15.04	17.58	20.35	23.34			
			50	7.16	8.51	10.12	11.97	14.06	16.41	18.97	21.76			
	TFD	P	30	4.49	4.81	5.10	5.38	5.64	5.91	6.17	6.45			
			40	5.30	5.78	6.19	6.56	6.90	7.19	7.46	7.70			
			50	6.19	6.87	7.47	7.99	8.43	8.82	9.14	9.40			
	LO	30	-13.80	-10.00	-5.40	-0.70	3.90	8.10	12.00	15.40				
		40	-10.80	-5.80	-0.50	4.50	9.00	13.20	16.90	20.10				
		50	-11.10	-3.70	3.00	9.00	14.20	18.50	22.30	25.40				
ZF150KQE	TFC	Q	30	9.11	10.80	12.99	15.63	18.68	22.06	25.71	29.59			
			40	8.66	10.29	12.40	14.91	17.77	20.94	24.34	27.91			
			50	8.04	9.65	11.68	14.07	16.79	19.75	22.91	26.23			
	TFD	P	30	5.04	5.42	5.76	6.08	6.38	6.67	6.98	7.31			
			40	6.06	6.49	6.89	7.26	7.61	7.97	8.33	8.72			
			50	7.31	7.79	8.25	8.67	9.09	9.50	9.92	10.38			
	LO	30	-18.10	-7.60	-2.60	0.50	3.40	6.70	10.50	14.80				
		40	-12.10	-2.70	1.90	5.00	8.10	11.70	15.70	20.20				
		50	-3.60	3.70	7.30	10.10	13.10	16.70	20.80	25.20				
ZF159KQE	TFC	Q	30	11.10	13.15	15.82	19.05	22.74	26.86	31.31	36.02			
			40	10.55	12.53	15.09	18.16	21.65	25.51	29.65	34.01			
			50	9.80	11.75	14.21	17.14	20.45	24.05	27.92	31.93			
	TFD	P	30	6.15	6.61	7.03	7.41	7.77	8.14	8.51	8.92			
			40	7.39	7.91	8.39	8.85	9.29	9.72	10.17	10.65			
			50	8.92	9.51	10.05	10.58	11.09	11.58	12.11	12.66			
	LO	30	-15.40	-5.10	-0.30	2.70	5.60	8.80	12.60	16.70				
		40	-9.50	-0.30	4.20	7.20	10.20	13.60	17.50	21.80				
		50	-1.20	5.90	9.50	12.10	15.00	18.60	22.50	26.90				
ZF168KQE	TFC	Q	30	12.60	14.92	17.95	21.61	25.81						
			40	11.97	14.23	17.13	20.60	24.56						
			50	11.12	13.33	16.14	19.45	23.20						
	TFD	P	30	7.15	7.68	8.17	8.62	9.04						
			40	8.60	9.20	9.77	10.29	10.80						
			50	10.36	11.05	11.70	12.30	12.89						
	LO	30	-15.40	-5.10	-0.30	2.70	5.50							
		40	-9.60	-0.40	4.10	7.20	10.20							
		50	-1.20	5.90	9.40	12.10	15.00							
ZF181KQE	TFC	Q	30	14.37	17.01	20.46	24.63	29.43						
			40	13.66	16.23	19.55	23.50	28.03						
			50	12.68	15.21	18.41	22.18	26.47						
	TFD	P	30	8.26	8.87	9.44	9.96	10.45						
			40	9.94	10.64	11.30	11.90	12.49						
			50	11.98	12.78	13.53	14.23	14.91						
	LO	30	-10.00	-0.20	4.40	7.30	9.90							
		40	-4.50	4.20	8.50	11.40	14.20							
		50	3.50	10.20	13.60	16.10	18.80							
ZF1122KQE	TEC	Q	30	23.14	27.67	33.39	40.53	49.30	59.91	72.57	87.50			
			40	21.96	26.81	32.42	38.99	46.75	55.91	66.68	79.27			
			50	18.04	23.62	30.52	36.81	43.84	51.83	60.98	71.51			
	TED	P	30	13.14	13.77	14.45	15.18	16.01	16.96	18.06	19.33			
			40	16.21	17.02	17.80	18.59	19.40	20.28	21.24	22.32			
			50	20.57	21.72	22.09	22.95	23.78	24.62	25.48	26.39			
	LO	30	-10.40	-2.80	2.10	5.00	6.40	6.60	5.90	4.60				
		40	-0.90	1.10	4.60	8.10	11.00	13.20	14.60	15.20				
		50	16.20	10.20	10.00	12.50	16.10	19.50	22.40	24.40				

Notes:

1. Q for capacity, P for power. Units in kW; LO for liquid out temperature in °C
2. All ZF*KQE values are rated at return gas temperature: 20°C and max subcooling
3. 20K Superheat

Performance data

TF7: 380 V ; 3-Phase, 60 Hz
 TFC : 208-230 V ; 3-Phase, 60 Hz
 TFD : 460 V ; 3-Phase, 60 Hz

Liquid injection

R404A

Model			Cond. temp. °C	Evap. temp. °C										
				-40	-35	-30	-25	-20	-15	-10	-5	0	5	7
ZF06KQE	TFC	Q	30	1.49	1.90	2.36	2.90	3.53	4.26	5.12	6.12	7.27	8.59	9.17
			40	1.30	1.67	2.09	2.56	3.10	3.74	4.48	5.34	6.34	7.49	7.99
			50	1.11	1.45	1.80	2.20	2.65	3.17	3.78	4.49	5.32	6.29	6.72
	TFD	P	30	1.27	1.29	1.34	1.43	1.52	1.63	1.74	1.84	1.93	1.99	2.00
			40	1.57	1.57	1.60	1.67	1.77	1.88	2.00	2.12	2.22	2.32	2.34
			50	1.94	1.90	1.92	1.97	2.06	2.17	2.30	2.43	2.56	2.68	2.72
ZF08KQE	TFC	Q	30	1.90	2.39	2.98	3.66	4.47	5.42	6.51	7.76	9.20	10.83	11.53
			40	1.68	2.12	2.64	3.24	3.95	4.77	5.72	6.81	8.07	9.50	10.12
			50	1.42	1.81	2.25	2.76	3.35	4.03	4.83	5.76	6.82	8.04	8.58
	TFD	P	30	1.57	1.63	1.71	1.80	1.92	2.04	2.17	2.32	2.46	2.61	2.66
			40	1.91	1.95	2.01	2.09	2.20	2.32	2.45	2.60	2.75	2.91	2.98
			50	2.40	2.40	2.44	2.50	2.59	2.69	2.82	2.96	3.11	3.27	3.34
ZF09KQE	TFC	Q	30	2.11	2.67	3.32	4.08	4.98	6.02	7.23	8.62	10.23	12.05	12.85
			40	1.87	2.37	2.94	3.60	4.37	5.27	6.32	7.53	8.93	10.54	11.24
			50	1.60	2.03	2.51	3.06	3.71	4.46	5.34	6.36	7.56	8.94	9.55
	TFD	P	30	1.58	1.63	1.69	1.78	1.88	2.01	2.15	2.31	2.49	2.68	2.76
			40	1.92	1.95	2.01	2.09	2.18	2.30	2.44	2.59	2.76	2.95	3.03
			50	2.34	2.37	2.41	2.48	2.56	2.67	2.80	2.95	3.12	3.30	3.38
ZF11KQE	TFC	Q	30	2.60	3.30	4.11	5.07	6.19	7.49	8.99	10.72	12.68	14.90	15.87
			40	2.33	2.94	3.65	4.48	5.46	6.59	7.90	9.41	11.13	13.10	13.95
			50	1.99	2.52	3.11	3.81	4.62	5.57	6.68	7.96	9.44	11.14	11.88
	TFD	P	30	1.90	1.97	2.06	2.18	2.33	2.50	2.70	2.92	3.17	3.45	3.57
			40	2.30	2.37	2.46	2.57	2.71	2.86	3.05	3.25	3.48	3.74	3.85
			50	2.79	2.86	2.95	3.06	3.19	3.35	3.52	3.71	3.93	4.17	4.27
ZF13KQE	TF7	Q	30	2.95	3.80	4.79	5.93	7.24	8.73	10.40	12.29	14.40	16.74	17.74
			40	2.60	3.32	4.16	5.15	6.31	7.63	9.14	10.85	12.77	14.92	15.85
			50	2.28	2.83	3.50	4.31	5.27	6.39	7.70	9.20	10.91	12.84	13.68
	TFC	P	30	2.24	2.30	2.39	2.50	2.65	2.82	3.03	3.28	3.56	3.89	4.03
			40	2.70	2.76	2.85	2.95	3.09	3.25	3.44	3.67	3.92	4.22	4.35
			50	3.30	3.37	3.45	3.55	3.68	3.83	4.01	4.21	4.45	4.71	4.83
ZF15KQE	TF7	Q	30	3.74	4.72	5.88	7.25	8.86	10.73	12.90	15.40	18.26	21.50	22.91
			40	3.30	4.16	5.17	6.35	7.74	9.36	11.24	13.41	15.91	18.76	20.00
			50	2.81	3.54	4.38	5.36	6.51	7.85	9.43	11.27	13.39	15.83	16.90
	TFC	P	30	2.70	2.79	2.92	3.07	3.26	3.49	3.78	4.13	4.54	5.02	5.24
			40	3.19	3.34	3.49	3.66	3.85	4.07	4.32	4.62	4.96	5.36	5.54
			50	3.77	3.98	4.19	4.40	4.62	4.84	5.08	5.36	5.66	6.01	6.16
ZF18KQE	TF7	Q	30	4.46	5.67	7.07	8.70	10.61	12.84	15.43	18.42	21.87	25.81	27.53
			40	3.98	5.05	6.26	7.66	9.29	11.21	13.44	16.04	19.05	22.51	24.03
			50	3.47	4.37	5.37	6.53	7.87	9.46	11.32	13.51	16.06	19.03	20.34
	TFC	P	30	3.27	3.37	3.52	3.72	3.96	4.24	4.55	4.88	5.23	5.59	5.73
			40	3.88	3.98	4.13	4.34	4.59	4.87	5.19	5.53	5.88	6.24	6.39
			50	4.57	4.68	4.85	5.07	5.33	5.63	5.96	6.31	6.68	7.05	7.20
ZF25KQE	TF7	Q	30	5.52	7.01	8.78	10.86	13.27	16.05	19.21	22.79			
			40	4.93	6.19	7.72	9.53	11.67	14.15	17.01	20.27			
			50	4.44	5.42	6.65	8.15	9.96	12.10	14.60	17.48			
	TFC	P	30	3.63	3.96	4.28	4.60	4.90	5.21	5.53	5.87			
			40	4.06	4.50	4.91	5.30	5.68	6.04	6.41	6.78			
			50	4.46	5.03	5.56	6.06	6.52	6.97	7.40	7.82			
ZF28KQE	TF7	Q	30	6.31	8.01	10.03	12.41	15.16	18.33	21.94	26.03			
			40	5.63	7.07	8.82	10.89	13.33	16.17	19.43	23.15			
			50	5.07	6.19	7.59	9.31	11.38	13.82	16.67	19.97			
	TFC	P	30	4.47	4.89	5.29	5.67	6.05	6.43	6.83	7.25			
			40	5.00	5.55	6.06	6.54	7.00	7.45	7.90	8.36			
			50	5.50	6.21	6.86	7.47	8.05	8.59	9.12	9.64			
ZF34KQE	TF7	Q	30	7.22	9.25	11.58	14.29	17.44	21.10	25.33	30.21			
			40	6.34	8.16	10.22	12.59	15.32	18.49	22.16	26.41			
			50	5.35	6.93	8.68	10.66	12.94	15.58	18.66	22.24			
	TFC	P	30	5.08	5.37	5.68	6.01	6.36	6.73	7.13	7.55			
			40	5.91	6.28	6.65	7.02	7.40	7.79	8.19	8.60			
			50	6.89	7.35	7.80	8.25	8.68	9.10	9.52	9.93			
ZF41KQE	TF7	Q	30	9.12	11.59	14.41	17.70	21.55	26.05	31.30	37.40			
			40	8.09	10.31	12.80	15.64	18.93	22.78	27.27	32.51			
			50	6.81	8.79	10.92	13.30	16.04	19.22	22.96	27.33			
	TFC	P	30	6.11	6.51	6.92	7.36	7.81	8.29	8.80	9.34			
			40	7.17	7.63	8.10	8.57	9.06	9.56	10.08	10.61			
			50	8.37	8.92	9.45	9.99	10.52	11.06	11.60	12.15			
ZF49KQE	TF7	Q	30	11.01	13.90	17.34	21.38	26.11						
			40	9.72	12.31	15.33	18.85	22.95						
			50	8.19	10.44	13.01	15.99	19.44						
	TFC	P	30	7.52	7.87	8.31	8.83	9.41						
			40	8.86	9.24	9.71	10.26	10.87						
			50	10.52	10.92	11.43	12.01	12.67						
ZF54KQE	TF7	Q	30	12.55	15.85	19.76	24.38	29.76						
			40	11.08	14.03	17.47	21.49	26.17						
			50	9.33	11.90	14.83	18.23	22.16						
	TFC	P	30	8.57	8.97	9.48	10.07	10.73						
			40	10.10	10.53	11.07	11.70	12.39						
			50	11.99	12.45	13.02	13.69	14.44						

Notes:

1. Q for capacity; P for power. Units in kW
2. All ZF*KQE values are rated at return gas temperature: 20°C and subcooling: 0 K

Performance data

TF7: 380 V ; 3-Phase, 60 Hz
 TFC: 208-230 V ; 3-Phase, 60 Hz
 TFD: 460 V ; 3-Phase, 60 Hz

Vapor injection

R404A

Model			Cond. temp. °C	Evap. temp. °C										
				-40	-35	-30	-25	-20	-15	-10	-5	0	5	7
ZFI20KQE	TF7	Q	30	4.27	5.27	6.40	7.69	9.15	10.81	12.68	14.80	17.16	19.82	20.96
			40	4.21	5.16	6.25	7.48	8.89	10.50	12.32	14.38	16.71	19.30	20.43
			50	4.01	4.91	5.95	7.13	8.49	10.05	11.82	13.84	16.11	18.67	19.78
	TFC	P	30	2.65	2.79	2.93	3.05	3.16	3.26	3.35	3.43	3.49	3.55	3.57
			40	3.24	3.41	3.57	3.72	3.86	3.99	4.10	4.21	4.31	4.39	4.42
			50	4.00	4.19	4.38	4.55	4.71	4.87	5.01	5.15	5.28	5.40	5.45
	TFD	LO	30	-9.30	-6.50	-3.30	0.20	3.90	7.70	11.30	14.50	17.50	19.80	20.60
			40	-9.40	-6.00	-2.40	1.60	5.70	9.80	13.50	16.90	19.80	22.20	22.90
			50	-7.10	-3.50	0.40	4.70	8.90	13.00	16.80	20.10	22.90	25.10	25.80
ZFI26KQE	TF7	Q	30	6.30	7.81	9.47	11.34	13.43	15.81	18.50	21.55	24.98	28.86	30.55
			40	6.03	7.47	9.04	10.79	12.76	14.98	17.49	20.35	23.58	27.23	28.81
			50	5.64	6.99	8.46	10.08	11.89	13.94	16.27	18.91	21.90	25.29	26.77
	TFC	P	30	3.80	4.05	4.30	4.55	4.80	5.07	5.34	5.64	5.97	6.33	6.49
			40	4.50	4.83	5.15	5.46	5.75	6.04	6.34	6.64	6.95	7.29	7.43
			50	5.46	5.89	6.28	6.64	6.98	7.30	7.61	7.92	8.22	8.54	8.67
	TFD	LO	30	-12.20	-8.00	-4.10	-0.10	3.90	7.80	11.30	14.40	17.20	19.20	19.90
			40	-9.60	-4.70	-0.20	4.30	8.60	12.60	16.20	19.30	21.90	23.90	24.50
			50	-5.80	-0.30	4.80	9.60	14.10	18.20	21.80	24.90	27.40	29.20	29.80
ZFI36KQE	TF7	Q	30	7.73	9.58	11.62	13.92	16.56	19.64	23.23	27.39			
			40	7.53	9.15	10.97	13.08	15.56	18.50	21.95	26.01			
			50	7.74	9.00	10.49	12.29	14.48	17.14	20.35	24.21			
	TFC	P	30	4.46	4.84	5.16	5.45	5.73	6.03	6.38	6.79			
			40	5.25	5.74	6.17	6.56	6.95	7.36	7.80	8.31			
			50	6.26	6.85	7.37	7.88	8.38	8.89	9.44	10.08			
	TFD	LO	30	-12.60	-9.00	-4.10	0.60	4.70	7.70	9.80	11.00			
			40	-9.90	-3.90	2.10	7.10	10.80	13.40	14.90	15.50			
			50	-16.10	-3.90	5.40	12.10	16.70	19.50	20.90	21.00			
ZFI39KQE	TF7	Q	30	8.89	11.02	13.36	16.01	19.06	22.59	26.72	31.51			
			40	8.66	10.53	12.62	15.05	17.90	21.28	25.25	29.93			
			50	8.91	10.35	12.06	14.14	16.65	19.72	23.41	27.86			
	TFC	P	30	5.35	5.80	6.18	6.53	6.87	7.23	7.65	8.14			
			40	6.29	6.88	7.39	7.87	8.33	8.82	9.35	9.96			
			50	7.51	8.21	8.84	9.45	10.04	10.66	11.32	12.08			
	TFD	LO	30	-12.60	-9.00	-4.10	0.60	4.70	7.70	9.80	11.00			
			40	-9.90	-3.90	2.10	7.10	10.80	13.40	14.90	15.50			
			50	-16.10	-3.90	5.40	12.10	16.70	19.50	20.90	21.00			
ZFI50KQE	TF7	Q	30	10.79	12.78	15.38	18.52	22.10	26.11	30.43	35.02			
			40	10.25	12.19	14.67	17.65	21.05	24.80	28.83	33.06			
			50	9.53	11.42	13.82	16.66	19.88	23.40	27.14	31.04			
	TFC	P	30	5.95	6.40	6.80	7.18	7.53	7.88	8.24	8.63			
			40	7.15	7.66	8.13	8.57	8.99	9.41	9.84	10.31			
			50	8.63	9.20	9.73	10.25	10.74	11.23	11.72	12.25			
	TFD	LO	30	-15.40	-5.10	-0.30	2.70	5.60	8.80	12.60	16.70			
			40	-9.50	-0.40	4.20	7.20	10.20	13.60	17.50	21.80			
			50	-1.20	5.90	9.50	12.10	15.00	18.60	22.50	26.90			
ZFI59KQE	TF7	Q	30	13.38	15.84	19.06	22.95	27.40	32.36	37.72	43.40			
			40	12.71	15.10	18.18	21.88	26.09	30.74	35.73	40.97			
			50	11.81	14.16	17.12	20.65	24.64	28.97	33.64	38.46			
	TFC	P	30	7.41	7.96	8.46	8.93	9.37	9.80	10.25	10.74			
			40	8.90	9.53	10.11	10.66	11.19	11.71	12.25	12.83			
			50	10.74	11.45	12.11	12.75	13.36	13.95	14.59	15.25			
	TFD	LO	30	-15.40	-5.10	-0.30	2.70	5.60	8.80	12.60	16.70			
			40	-9.50	-0.30	4.20	7.20	10.20	13.60	17.50	21.80			
			50	-1.20	5.90	9.50	12.10	15.00	18.60	22.50	26.90			
ZFI68KQE	TF7	Q	30	15.12	17.91	21.54	25.94	30.99						
			40	14.37	17.08	20.57	24.73	29.49						
			50	13.35	16.00	19.37	23.35	27.85						
	TFC	P	30	8.58	9.22	9.80	10.34	10.86						
			40	10.32	11.05	11.73	12.35	12.96						
			50	12.44	13.27	14.05	14.77	15.48						
	TFD	LO	30	-15.40	-5.10	-0.30	2.70	5.50						
			40	-9.60	-0.40	4.10	7.20	10.20						
			50	-1.20	5.90	9.40	12.10	15.00						
ZFI81KQE	TF7	Q	30	17.37	20.58	24.75	29.80	35.61						
			40	16.52	19.63	23.63	28.41	33.88						
			50	15.33	18.39	22.26	26.82	32.00						
	TFC	P	30	10.23	10.99	11.69	12.33	12.94						
			40	12.30	13.17	13.98	14.73	15.45						
			50	14.83	15.82	16.74	17.61	18.45						
	TFD	LO	30	-15.40	-5.10	-0.30	2.70	5.50						
			40	-9.60	-0.40	4.10	7.20	10.20						
			50	-1.20	5.90	9.40	12.10	15.00						
ZFI122KQE	TE7	Q	30	27.01	32.29	38.98	47.31	57.54	69.93	84.71	102.13			
			40	25.63	31.29	37.84	45.51	54.57	65.26	77.84	92.54			
			50	20.92	27.41	35.62	42.97	51.17	60.50	71.18	83.48			
	TEC	P	30	15.86	16.63	17.45	18.34	19.34	20.48	21.81	23.35			
			40	19.58	20.55	21.49	22.44	23.43	24.49	25.65	26.96			
			50	24.75	26.13	26.66	27.71	28.72	29.72	30.76	31.87			
	TED	LO	30	-6.40	0.90	5.70	8.40	9.70	9.90	9.30	8.00			
			40	2.80	4.70	8.00	11.40	14.20	16.30	17.60	18.20			
			50	19.30	13.50	13.20	15.70	19.10	22.30	25.10	27.00			

Notes:

1. Q for capacity, P for power. Units in kW; LO for liquid out temperature in °C
2. All ZF*KQE values are rated at return gas temperature: 20°C and max subcooling
3. 20K Superheat

Technical data

Compressor model				Liquid injection												
				ZF06KQE	ZF08KQE	ZF09KQE	ZF11KQE	ZF13KQE	ZF15KQE	ZF18KQE	ZF25KQE	ZF28KQE	ZF34KQE	ZF41KQE	ZF49KQE	ZF54KQE
Nominal horsepower			hp	2	2.5	3	3.5	4	5	6	7.5	9	10	13	15	17
Displacement	50 Hz	m ³ /hr		5.9	7.3	8.0	10.0	11.7	14.4	17.1	21.4	25.1	29.1	35.3	42.4	48.3
	60 Hz			7.1	8.8	9.7	12.1	14.1	17.4	20.6	25.8	30.3	35.1	42.6	51.2	58.3
Motor type	50 Hz		TFD	TFD	TFD	TFD	TFD	TFD	TFD	TFD	TFD	TFD	TFD	TFD	TFD	TFD
			TFC	TFC	TFC	TFC	TFC	TFC	TFC	TFC	TFC	TFC	TFC	TFC	TFC	TFC
	60 Hz		TFD	TFD	TFD	TFD	TFD	TFD	TFD	TFD	TFD	TFD	TFD	TFD	TFD	TFD
			TFC	TFC	TFC	TFC	TFC	TFC	TFC	TFC	TFC	TFC	TFC	TFC	TFC	TFC
Locked rotor current (LRA)	50 Hz	Amps	TFD	26.0	32.0	40.0	46.0	51.5	64.0	74.0	102.0	121.4	100.0	118.0	139.0	168.0
			TFC	56.0	70.0	83.0	87.0	94.0	122.0	171.0	223.0	197.9	220.0	248.0	338.7	404.0
	60 Hz	Amps	TFD	27.0	31.0	39.0	44.0	49.5	75.0	75.0	99.0	121.4	100.0	125.0	139.0	185.0
			TFC	55.0	63.0	77.0	88.0	99.0	123.0	156.0	224.0	199.0	239.0	248.0	338.7	404.0
Maximum operating current (MOC)	50 Hz	Amps	TFD	5.0	6.0	6.0	7.1	8.0	10.0	12.5	13.7	16.8	25.0	29.0	30.0	31.0
			TFC	10.0	12.0	13.0	14.5	16.0	22.0	25.0	28.8	38.7	51.4	57.7	67.9	31.0
	60 Hz	Amps	TFD	5.0	6.0	6.0	7.1	8.0	10.0	12.5	13.7	16.8	25.0	29.0	30.0	31.0
			TFC	10.0	12.0	13.0	14.5	16.0	22.0	25.0	28.8	38.7	51.4	57.7	67.9	31.0
Maximum continuous current (MCC)	50 Hz	Amps	TFD	6.0	7.0	6.5	8.0	10.0	12.0	12.5	16.6	20.1	25.0	27.0	28.3	40.0
			TFC	13.0	13.5	13.5	16.5	18.5	23.5	28.5	36.3	42.6	52.0	59.0	71.0	82.2
	60 Hz	Amps	TFD	6.0	7.0	7.0	9.0	10.0	12.5	12.5	16.6	20.1	25.0	27.0	28.3	40.0
			TFC	13.0	13.5	13.5	17.0	18.5	26.5	30.5	37.4	42.6	52.0	59.0	71.0	82.2
Rated load current (RLA=MCC/1.4)	50 Hz	Amps	TFD	4.3	5.0	4.6	5.7	7.1	8.6	8.9	11.9	14.4	17.9	19.3	20.2	28.6
			TFC	9.3	9.6	9.6	11.8	13.2	16.8	20.4	25.9	30.4	37.1	42.1	50.7	58.7
	60 Hz	Amps	TFD	4.3	5.0	5.0	6.4	7.1	8.9	8.9	11.9	14.4	17.9	19.3	20.2	28.6
			TFC	9.3	9.6	9.6	12.1	13.2	18.9	21.8	26.7	30.4	37.1	42.1	50.7	58.7
Rated load current (RLA=MCC/1.56)	50 Hz	Amps	TFD	3.8	4.5	4.2	5.1	6.4	7.7	8.0	10.6	12.9	16.0	17.3	18.1	25.6
			TFC	8.3	8.7	8.7	10.6	11.9	15.1	18.3	23.3	27.3	33.3	37.8	45.5	52.7
	60 Hz	Amps	TFD	3.8	4.5	4.5	5.8	6.4	8.0	8.0	10.6	12.9	16.0	17.3	18.1	25.6
			TFC	8.3	8.7	8.7	10.9	11.9	17.0	19.6	24.0	27.3	33.3	37.8	45.5	52.7
Winding resistance at 25 °C	Ohm	TFD	7.15	5.94	4.83	4.03	3.64	2.75	2.27	1.74	1.63	1.24	1.24	1.09	0.78	
		TFC	1.79	1.46	1.23	1.00	0.91	0.69	0.56	0.39	0.37	0.31	0.28	0.22	0.18	
		TF7	NA	NA	NA	NA	2.78	2.23	1.92	1.20	1.06	0.85	0.85	0.56	0.56	
Connection size	Rotalock connection															
	Suction	in	1 1/4	1 1/4	1 1/4	1 1/4	1 1/4	1 1/4	1 1/4	1 1/4	1 1/4	1 3/4	1 3/4	1 3/4	1 3/4	
	Discharge	in	1	1	1	1	1	1	1	1 1/4	1 1/4	1 1/4	1 1/4	1 1/4	1 1/4	
	Injection	in	11/16	11/16	11/16	11/16	11/16	11/16	11/16	11/16	11/16	1	1	1	1	
	Brazing connection															
	Suction	in	NA	NA	NA	NA	7/8	7/8	7/8	7/8	7/8	1 3/8	1 3/8	1 3/8	1 3/8	
	Discharge	in	NA	NA	NA	NA	1/2	1/2	1/2	3/4	3/4	7/8	7/8	7/8	7/8	
Injection	in	NA	NA	NA	NA	1 1/16 (Rotalock only)					1 (Rotalock only)					
Outline dimension	Length	mm	246	246	246	246	246	246	246	246	280	280	280	280		
	Width	mm	246	246	246	246	257	257	257	257	280	280	280	280		
	Height	mm	369	391	391	405	442	442	442	442	451	534	534	552	552	
Sight glass fitting thread	in	1 1/4"-12UNF					1 1/4"-12UNF					1 1/4"-12UNF				
Oil quantity	L	1.3	1.5	1.5	1.5	1.9	1.9	1.9	1.9	1.9	3.4	3.4	3.4	3.4		
Net weight	kg	25	27	27	29	39	39	39	39	40	63	63	66	66		
Terminal box IP grade		IP21					IP21 (Except ZF28KQE-TFC with IP54)					IP54				
Crankcase heater power	W	70					70					90				
Mounting parts Installation size (hole size)	mm	190 x 190 (Ø19)														

Technical data

Compressor model			Vapor injection								
			ZFI20KQE	ZFI26KQE	ZFI36KQE	ZFI39KQE	ZFI50KQE	ZFI59KQE	ZFI68KQE	ZFI81KQE	ZFI122KQE
Nominal horsepower		hp	4	6	8	10	12	15	18	20	30
Displacement	50 Hz	m ³ /hr	11.7	17.1	21.4	25.1	29.1	35.3	42.4	48.3	77.3
	60 Hz		14.1	20.6	25.8	30.3	35.1	42.6	51.2	58.3	93.3
Motor type	50 Hz		TFD	TFD	TFD	TFD	TFD	TFD	TFD	TFD	TFD
			TFC	TFC	TFC	TFC	TFC	TFC	TFC	TFC	TFC
	60 Hz		TFD	TFD	TFD	TFD	TFD	TFD	TFD	TFD	TFD
			TFC	TFC	TFC	TFC	TFC	TFC	TFC	TFC	TFC
Locked rotor current (LRA)	50 Hz	Amps	TFD	74.0	102.0	121.4	100.0	118.0	139.0	168.0	310
			TFC	135.0	172.0	223.0	197.9	220.0	248.0	338.7	404.0
	60 Hz	Amps	TFD	70.0	99.0	121.4	100.0	125.0	139.0	185.0	310
			TFC	123.0	156.0	224.0	199.0	239.0	248.0	338.7	404.0
Maximum operating current (MOC)	50 Hz	Amps	TFD	13.7	16.0	18.1	25.0	29.0	30.0	31.0	53.6
			TFC	18.0	26.0	36.7	37.2	51.4	57.7	67.9	31.0
	60 Hz	Amps	TFD	13.7	16.0	18.1	25.0	29.0	30.0	31.0	53.6
			TFC	18.0	26.0	36.7	37.2	51.4	57.7	67.9	31.0
Maximum continuous current (MCC)	50 Hz	Amps	TFD	13.0	16.6	20.3	25.0	27.0	28.3	40.0	65.4
			TFC	24.0	28.5	35.3	42.6	52.0	59.0	71.0	82.2
	60 Hz	Amps	TFD	13.0	18.5	20.3	25.0	27.0	28.3	40.0	71.7
			TFC	24.0	30.5	38.2	42.6	52.0	59.0	71.0	82.2
Rated load current (RLA=MCC/1.4)	50 Hz	Amps	TFD	9.3	11.9	14.5	17.9	19.3	20.2	28.6	46.7
			TFC	17.1	20.4	25.2	30.4	37.1	42.1	50.7	58.7
	60 Hz	Amps	TFD	9.3	11.9	14.5	17.9	19.3	20.2	28.6	51.2
			TFC	17.1	21.8	27.3	30.4	37.1	42.1	50.7	58.7
Rated load current (RLA=MCC/1.56)	50 Hz	Amps	TFD	8.3	10.6	13.0	16.0	17.3	18.1	25.6	41.9
			TFC	15.4	18.3	22.6	27.3	33.3	37.8	45.5	52.7
	60 Hz	Amps	TFD	8.3	10.6	13.0	16.0	17.3	18.1	25.6	46.0
			TFC	15.4	19.6	24.5	27.3	33.3	37.8	45.5	52.7
Winding resistance at 25 °C	Ohm	TFD	2.27	1.74	1.63	1.24	1.24	1.09	0.78	0.36	
		TFC	0.69	0.56	0.39	0.37	0.31	0.28	0.22	0.18	0.09
		TF7	2.23	1.92	1.20	1.06	0.85	0.85	0.56	0.56	0.25
Connection size	Rotalock connection										
	Suction	in	1 1/4	1 1/4	1 1/4	1 1/4	1 3/4	1 3/4	1 3/4	1 3/4	2-1/4" x 12UN
	Discharge	in	1	1	1 1/4	1 1/4	1 1/4	1 1/4	1 1/4	1 1/4	1-3/4"x 12UN
	Injection	in	1	1	1	1	1	1	1	1	1"-14
	Brazing connection										
	Suction	in	7/8	7/8	7/8	7/8	1 3/8	1 3/8	1 3/8	1 3/8	1-5/8"
Discharge	in	1/2	1/2	3/4	3/4	7/8	7/8	7/8	7/8	1-3/8"	
Injection	in	1/2	1/2	1/2	1/2	5/8	5/8	5/8	5/8	3/4"	
Outline dimension	Length	mm	246	246	246	246	328	328	328	328	448
	Width	mm	257	257	257	257	297	297	297	297	409.3
	Height	mm	442	442	442	451	534	534	552	552	715
Sight glass fitting thread	in	1 1/4"-12UNF					1 1/4"-12UNF				1-3/4" x 12 UNF
Oil quantity	L	1.9	1.9	1.9	1.9	3.4	3.4	3.4	3.4	6.0	
Net weight	kg	39	39	39	40	63	63	66	66	179	
Terminal box IP grade		IP21 (Except ZFI39KQE-TFC with IP54)					IP54				IP56
Crankcase heater power	W	70					90				150
Mounting parts Installation size (hole size)	mm	190 x 190 (Ø19)								266.7 x 266.7 (Ø22.6)	

EVI CoreSense™ control kits and wiring diagram

EVI CoreSense control kits

Introduction

The EVI CoreSense control kit of ZFI compressor is intended to control vapor injection, maintain a safe discharge temperature, and provide intelligent diagnosis and protection.

The kit includes a printed circuit board (PCB), an electronic expansion valve (EXV), and three sensors, as well as containing a transformer and an EXV filter. All parts are common, except the EXV valve orifice size, which will be applied to different ZFI models.

In vapor injection application, the valve is driven by sensors mounted near the heat exchanger and attempts to maintain the vapor outlet sensor 5K higher than the vapor inlet. The system will switch to discharge line temperature control if vapor injection is insufficient to maintain a safe discharge temperature. If the discharge temperature becomes dangerously high, the system will stop the compressor, turn on an LED alarm, and trigger a voltage free alarm relay contact. The compressor can auto-reset, but not lockout.

Emerson provides customer EVI CoreSense control kits with and without CoreSense box.

EVI CoreSense control kits			
Part number without CoreSense box	Part number with CoreSense box	Apply for ZFI models	EXV valve orifice size (Identification code)
562-0313-00	562-0291-01	ZFI20~ZFI26	Ø1.3mm (TS113C03)
562-0313-01	562-0291-02	ZFI36~ZFI59	Ø1.65mm (TS116C03)
562-0313-02	562-0291-03	ZFI68~ZFI81	Ø1.8mm (TS118C03)
562-0313-03	562-0291-06	ZFI122	Ø2.4mm (TS124C03)

Printed circuit board

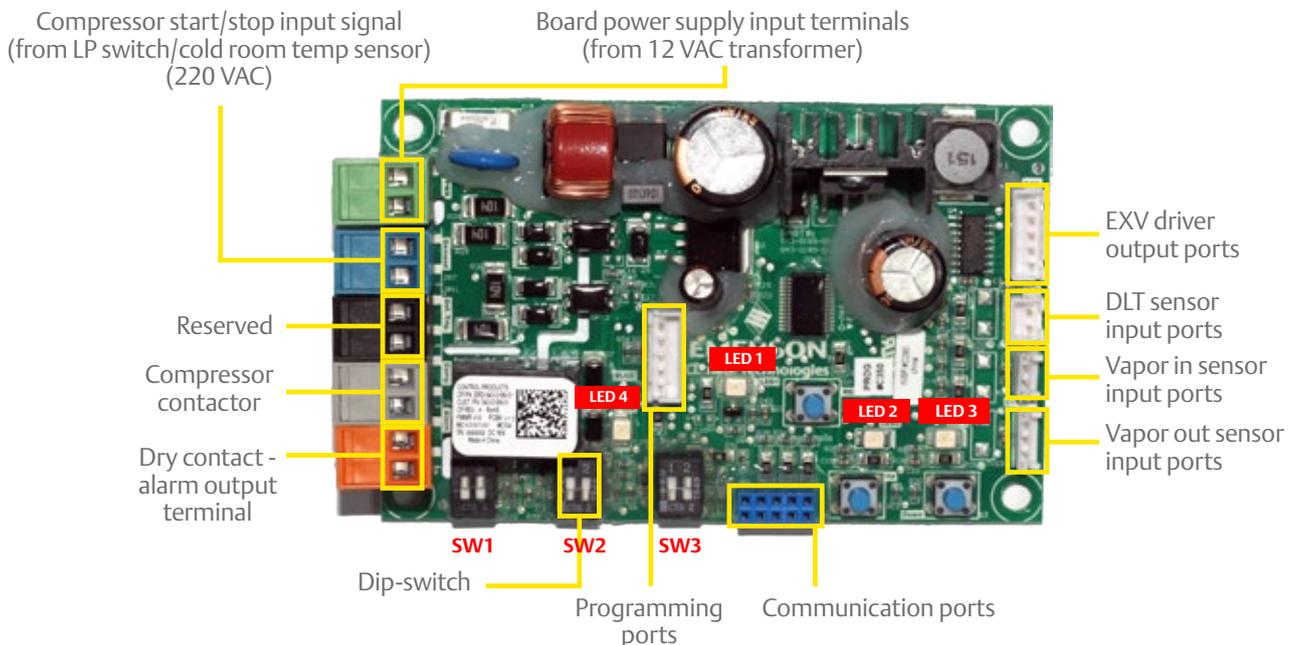
Wear a ground strap when working with the PCB to avoid the risk of damage from static discharges.

General PCB layout, input and output ports are shown in the image below, the ports to EXV, DLT, as well as the vapor in and vapor out sensors are done with Poka-yoke connector design. Connect sensors, EXV, and system wiring as shown in wiring diagram.

The PCB is supplied power through a transformer with a power input of 50/60 Hz, 220VAC, and an output of 12VAC to the PCB board.

For EVI control kits with CoreSense box, the board and transformer are both mounted in the box, using 4 x Ø5mm holes at 61 x 101mm centers, fastened by screws. Spare part number is 543-0189-01 for field service.

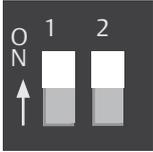
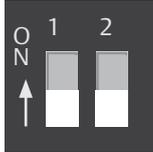
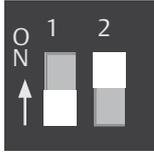
For EVI control kits without CoreSense box, we provide individual parts for compact system design. The board is with 4 x Ø4mm holes at 61 x 101mm centers, please use plastic stakes provided. Spare part number is 543-0219-01 for field service.



Dip-switch setting

The dip-switch default setting has been done in-factory, please do not change setting and ensure that the replacement board is set correctly.

For the glide-refrigerants application like R407A, R407F, R407C, we would recommend 10K superheat. Please contact your local Emerson sales and application engineer to reset the dip-switch.

Dip-switch default factory setting			
	SW1	SW2	SW3
BIT1	ON	OFF	OFF
BIT2	ON	OFF	ON
Dip-switch Setting position			
Function description of default setting	<ol style="list-style-type: none"> 1. Discharge Line Temperature (DLT) control target $\leq 110^{\circ}\text{C}$ 2. Vapor out superheat target is 5K 3. Compressor will shut down If DLT above 125°C 4. Compressor can auto-reset and no lockout due to DLT overheat protection 5. Compressor minimum stop time is 0 minute 6. Vapor injection mode 		

LED functions

LED1 (yellow-green)

LED1 will light up during initialization after power on, after that, blinking lights will indicate the sensor status.

LED	Color	Compressor or sensor status	LED1 behavior
LED1	Yellow-Green	Idle compressor waiting to start	Blinks at 1 Hz
		DLT overheat protection	Blinks 2 times at 1 Hz, waiting 5s, then repeat...
		DLT failure	Blinks 3 times at 1 Hz, waiting 5s, then repeat...
		Vapor in sensor failure	Blinks 4 times at 1 Hz, waiting 5s, then repeat...
		Vapor out sensor failure	Blinks 5 times at 1 Hz, waiting 5s, then repeat...

LED2, LED3 (yellow-green)

LED2 and LED3 will blink once when entering or exiting EXV manual operation, and also indicate EXV opening and closing.

LED	Color	EXV status	LED2, LED3 behavior
LED2 LED3	Yellow-Green	Opening	LED2 is flashing at 1 Hz, LED3 off
		Closing	LED3 is flashing at 1 Hz, LED2 off
		Fully open	LED2 constant on, LED3 off
		Fully closed	LED3 constant on, LED2 off

LED4 (red color) alarm

LED4 will turn on when alarm is triggered by the following items

LED	Color	Sensor status	LED4 behavior
LED4	Red	DLT overheat protection	LED4 on, red color
		DLT sensor failure	LED4 on, red color
		Vapor in sensor failure	LED4 on, red color
		Vapor out sensor failure	LED4 on, red color

Temperature sensors

The EVI kits include 3 temperature sensors. Please ensure all sensors are mounted in the correct locations, fastened, and insulated properly.

The discharge temperature sensor should be installed approximately 178mm (7 inches) from discharge tube outlet. If a service valve is installed at the discharge tube, the sensor should be located 127mm (5 inches) from the valve braze.

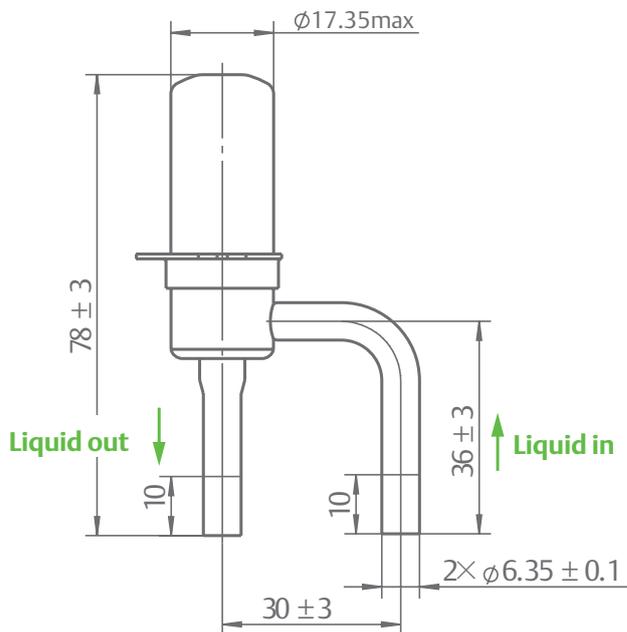
The vapor-in sensor is connected to the pipe between the EXV and PHE. The vapor-out sensor is connected to the pipe from the PHE to the compressor vapor injection port. Don't make the vapor-in and vapor-out sensor location reversed.

Sensor	Wire length	Resistance value vs. temperature	Open	Short
Discharge temperature sensor	930mm or 1800mm	351.6 kΩ @0°C 100.0 kΩ @25°C 5.8 kΩ @100°C	>1000kΩ	<400Ω
Vapor-in sensor	1360mm or 1800mm	28.1 kΩ @0°C 10.0 kΩ @25°C 0.9 kΩ @100°C	>500kΩ	<500Ω
Vapor-out sensor	750mm or 1800mm	28.1 kΩ @0°C 10.0 kΩ @25°C 0.9 kΩ @100°C	>500kΩ	<500Ω

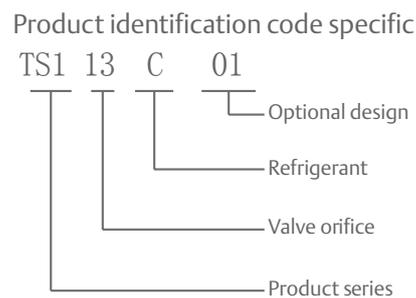
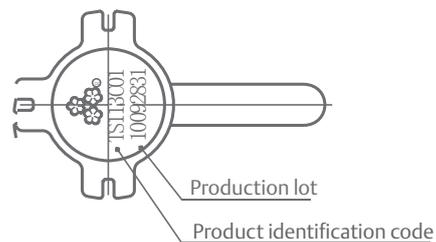
Electronic expansion valve (EXV)

The EXV contains an EXV-valve and EXV-coil, lead wire length for coil is 1796mm, the valve size includes Ø1.3mm, Ø1.65mm and Ø1.8mm depending on system size, applied to different ZFI models.

The liquid refrigerant should pass from the bending tube and flow out from the straight tube. Please weld the filter before the EXV provided along with the kits.

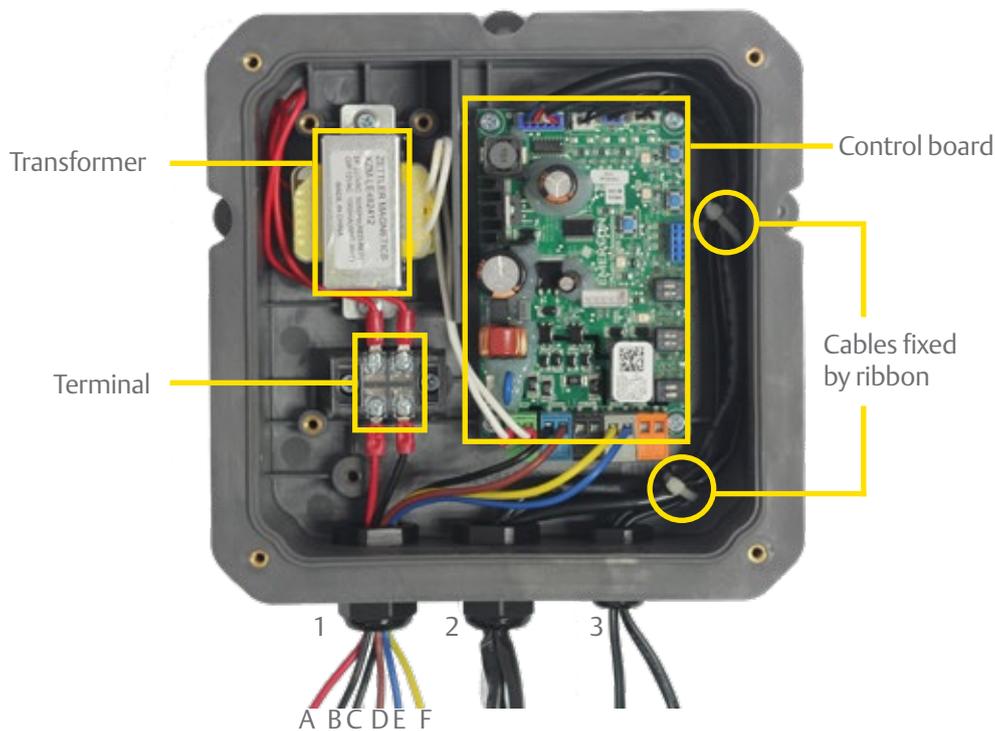


EXV valve connection size, mm



EXV valve identification code

ZFI standard control box wiring example



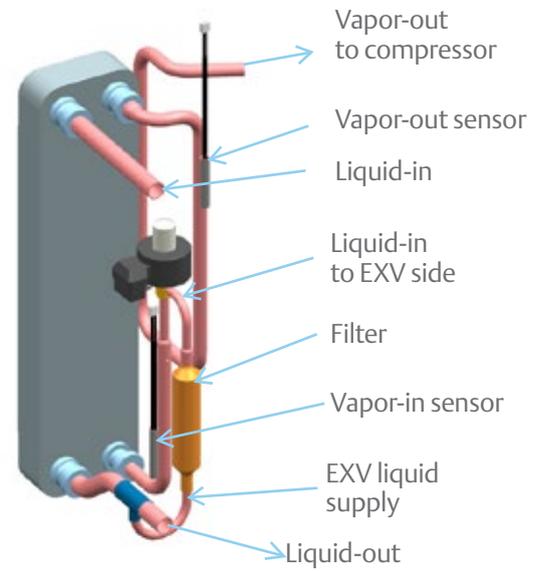
Waterproof gland no.	Gland 1	Gland 2	Gland 3
Wire function	A (red) and B (black): Controller power supply input (220–240 VAC 50/60 Hz)	EXV Coil DLT Sensor	Vapor-in sensor Vapor-out sensor
	C (black) and D (brown): Compressor start/stop input (220–240 VAC 50/60 Hz)		
	E (blue) and F (yellow): Compressors contactor coil Control output		
Wire connection	Wires A and B: Connect to terminal	Connect to the EXV, DLT sensor at the top edge of the control board	Connect to the vapor-in/out port at the top edge of the control board
	Wires C and D: Connect to the blue connector on the control board		
	Wires E and F: Connect to the gray connector on the control board		
Gland internal diameter range	2–3 mm		
Jacket line requirement	Internal wire size: 18 AWG		
	Rated voltage: 300 V/600 V		
	Rated temperature: 80/105 °C		
	Recommended: UL105, UL1011, UL1007		

Plate heat exchanger (PHE) and liquid line temperature

Mount plate heat exchanger in the vertical position and oriented correctly. Ensure that sensors are located correctly as well.

ZFI vapor injection compressors can deliver very cold liquid with economizer cycle. The sub-cooling of liquid line calls for these recommendations:

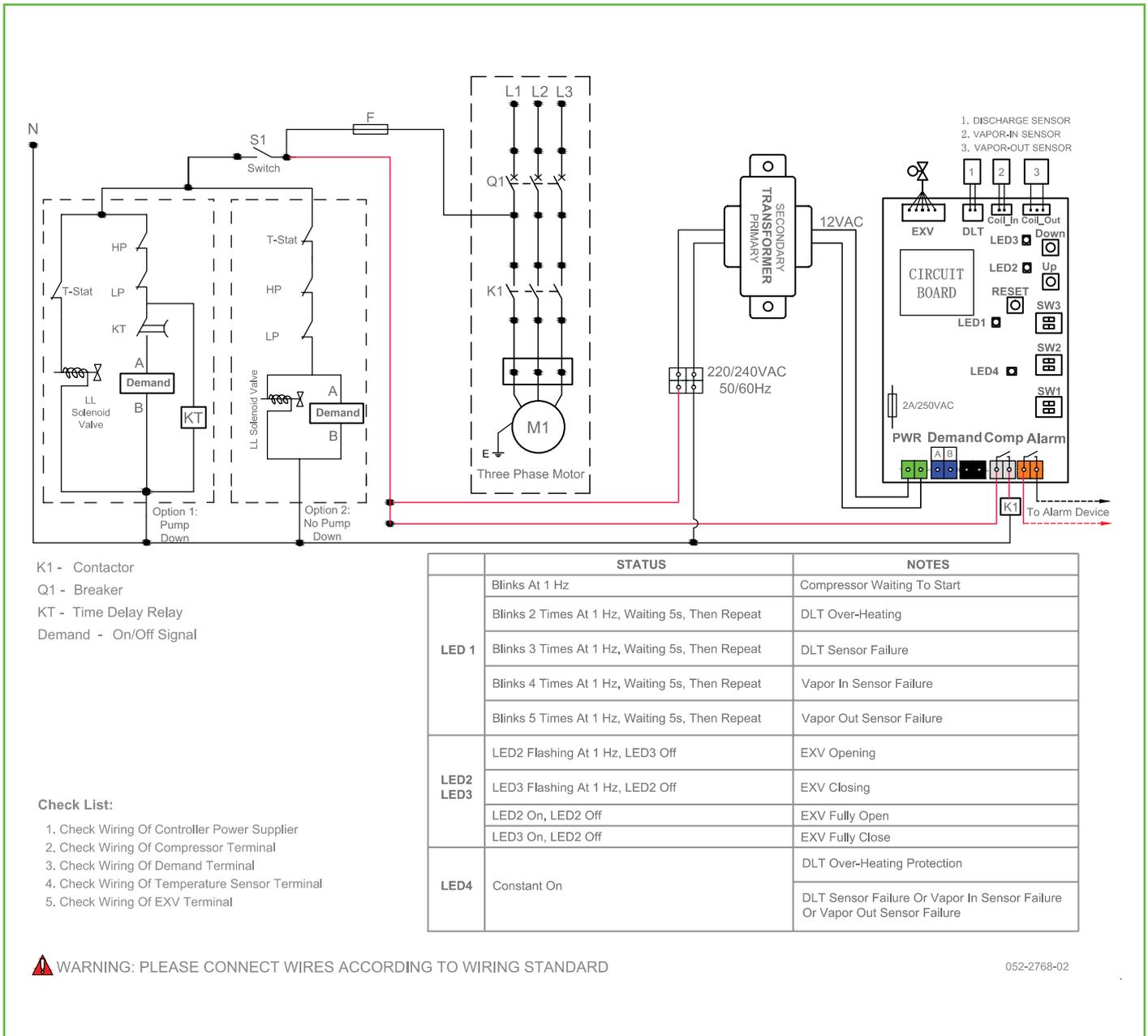
1. Liquid line pipe connecting the economizer to the evaporator expansion valve should be well-insulated separately.
2. The lower liquid line temperature can increase the evaporator valve capacities. Please follow the valve manufacturer's recommended liquid temperature correction factors for proper selection of evaporator expansion valve. Refer to product catalogue or select software for liquid line temperature.

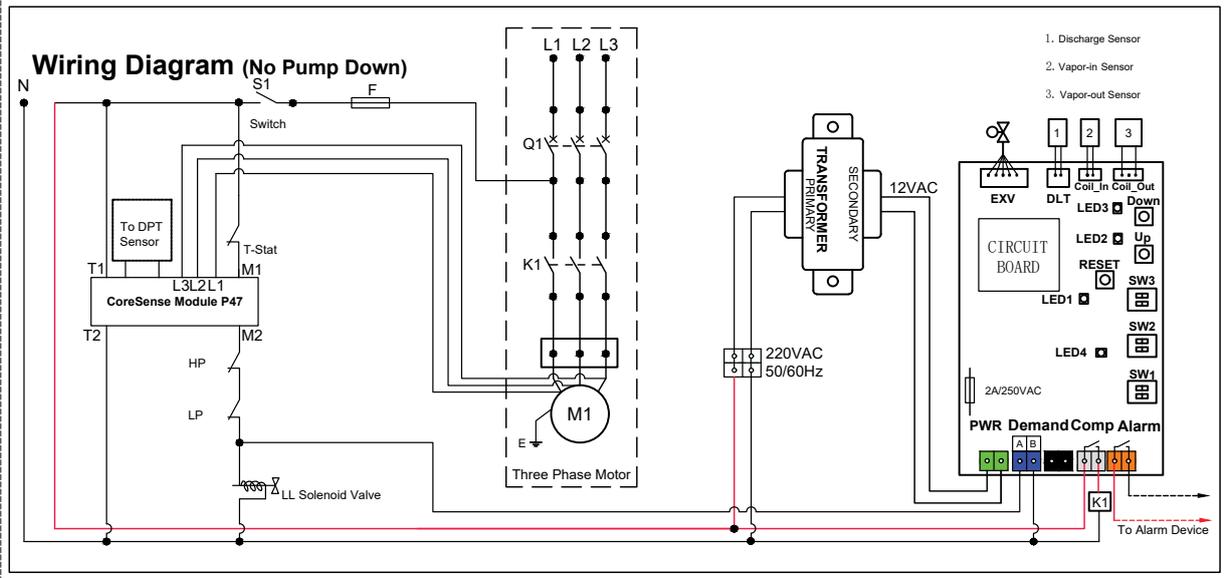
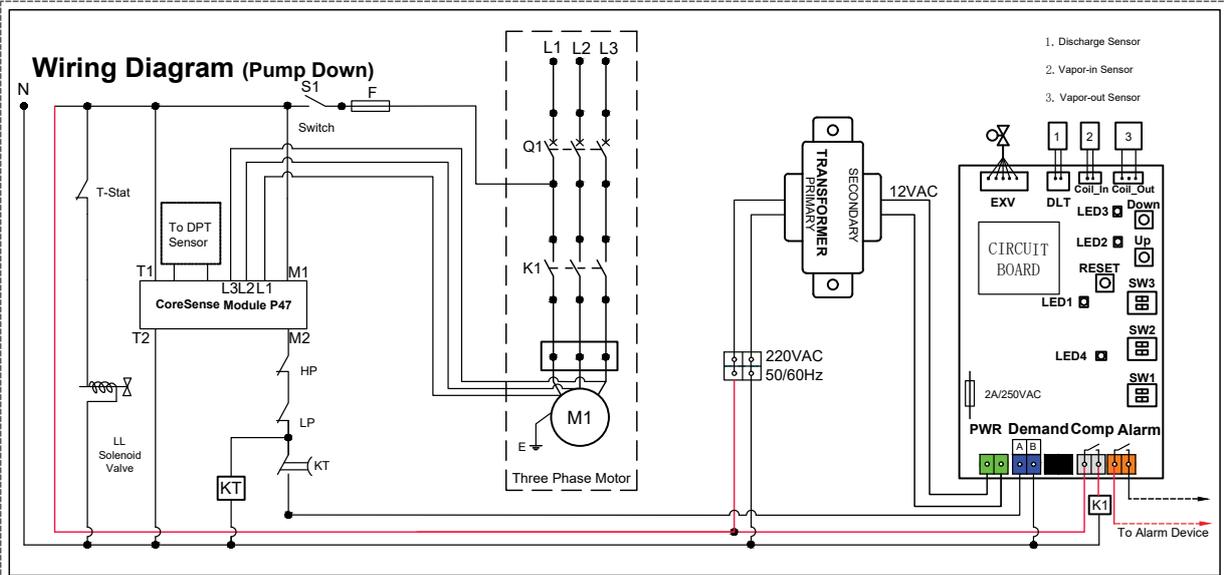


Example of PHE assembly with downstream liquid supply

Wiring diagram

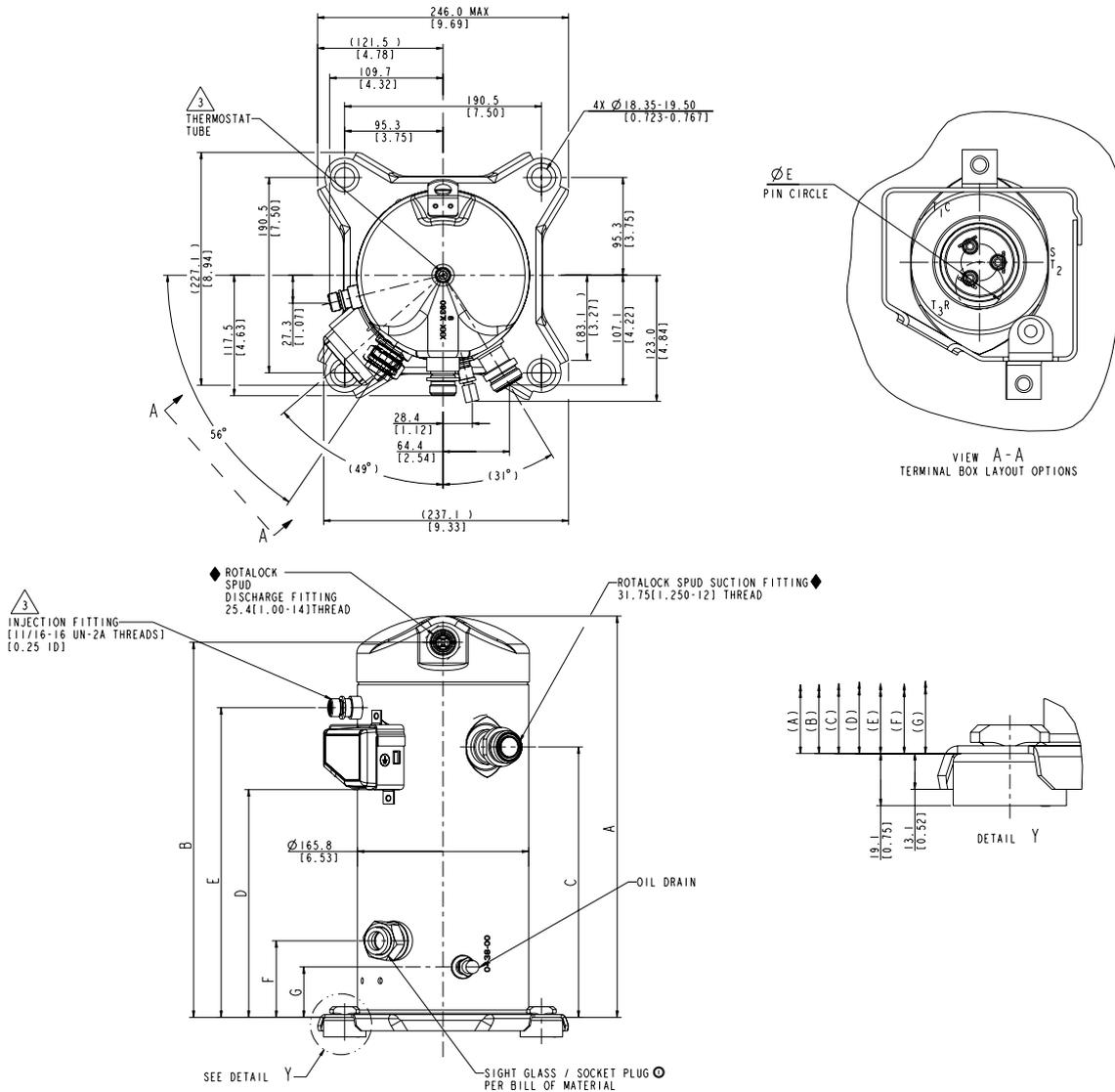
ZFI 20 - ZFI81





Dimensional drawings

ZF06KQE - ZF11KQE (BOM 551) Rotalock connection



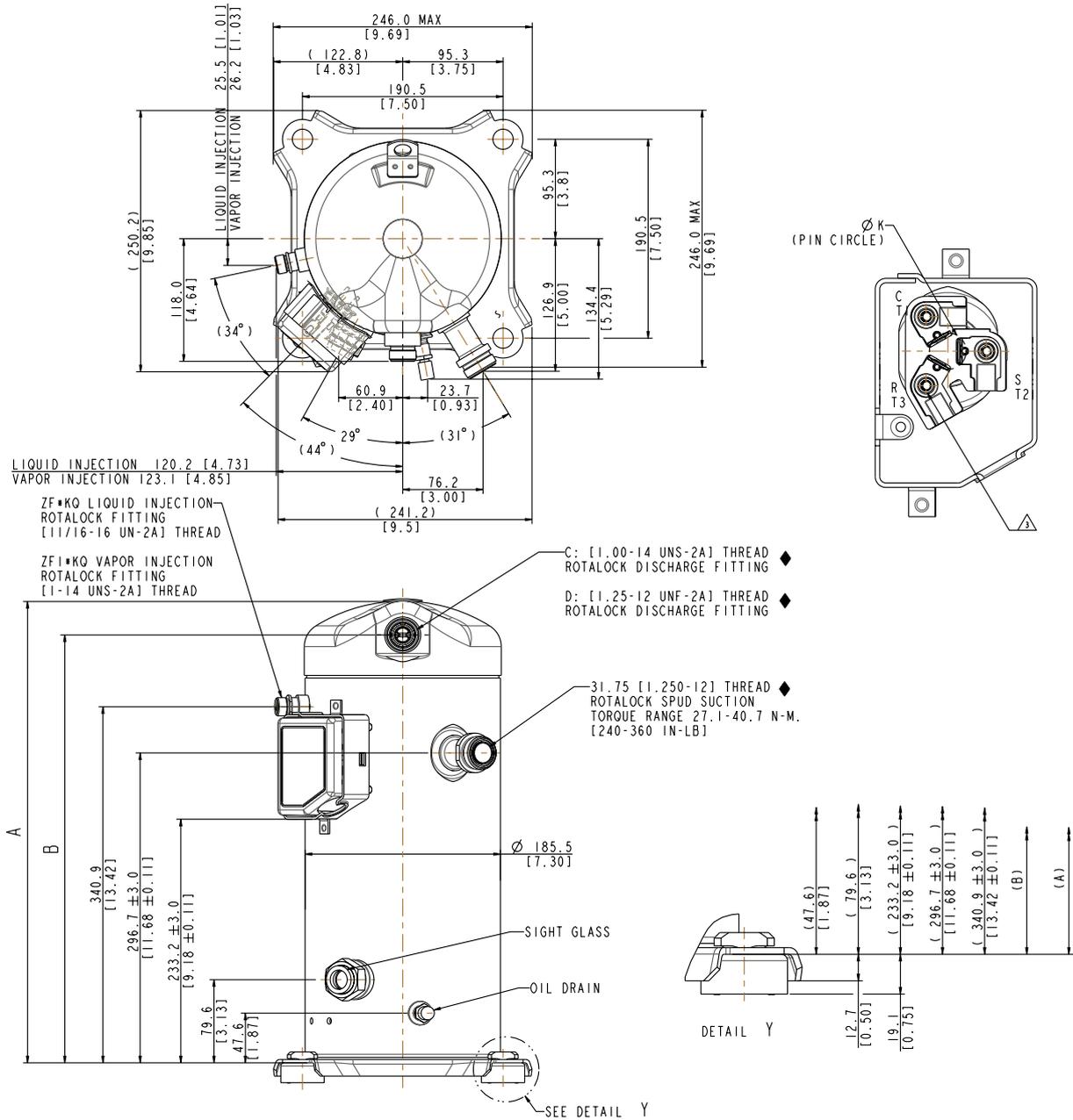
Model number	mm[in]						
	A±3.0	B	C	D±3.0	E	F	G
ZF06KQE	368.7 [14.52]	343.1 [13.51]	243.8 [9.60]	202.2 [7.96]	279.4 [11.00]	68.9 [2.71]	43.4 [1.70]
ZF08KQE	391.3 [15.41]	365.7 [14.40]	263.7 [10.38]	222.1 [8.74]	302.0 [11.88]	74.6 [2.93]	49.1 [1.93]
ZF09KQE	391.3 [15.41]	365.7 [14.40]	263.7 [10.38]	222.1 [8.74]	302.0 [11.88]	74.6 [2.93]	49.1 [1.93]
ZF11KQE	405.0 [15.94]	379.4 [14.94]	276.4 [10.88]	234.8 [9.24]	315.7 [12.42]	74.6 [2.93]	49.1 [1.93]

Notes:

- (1) All tolerances ± 1.5mm [0.06in] unless otherwise specified
- (2) Due to accumulated assembly tolerances, the listed components may vary from the mounting holes. All fittings: ± 3.0mm [0.12in]
- (3) Tube ends must be plugged
- (4) All units are in mm[inch]

Dimensional drawings

ZF13KQE - ZF28KQE (BOM 551) Rotalock connection



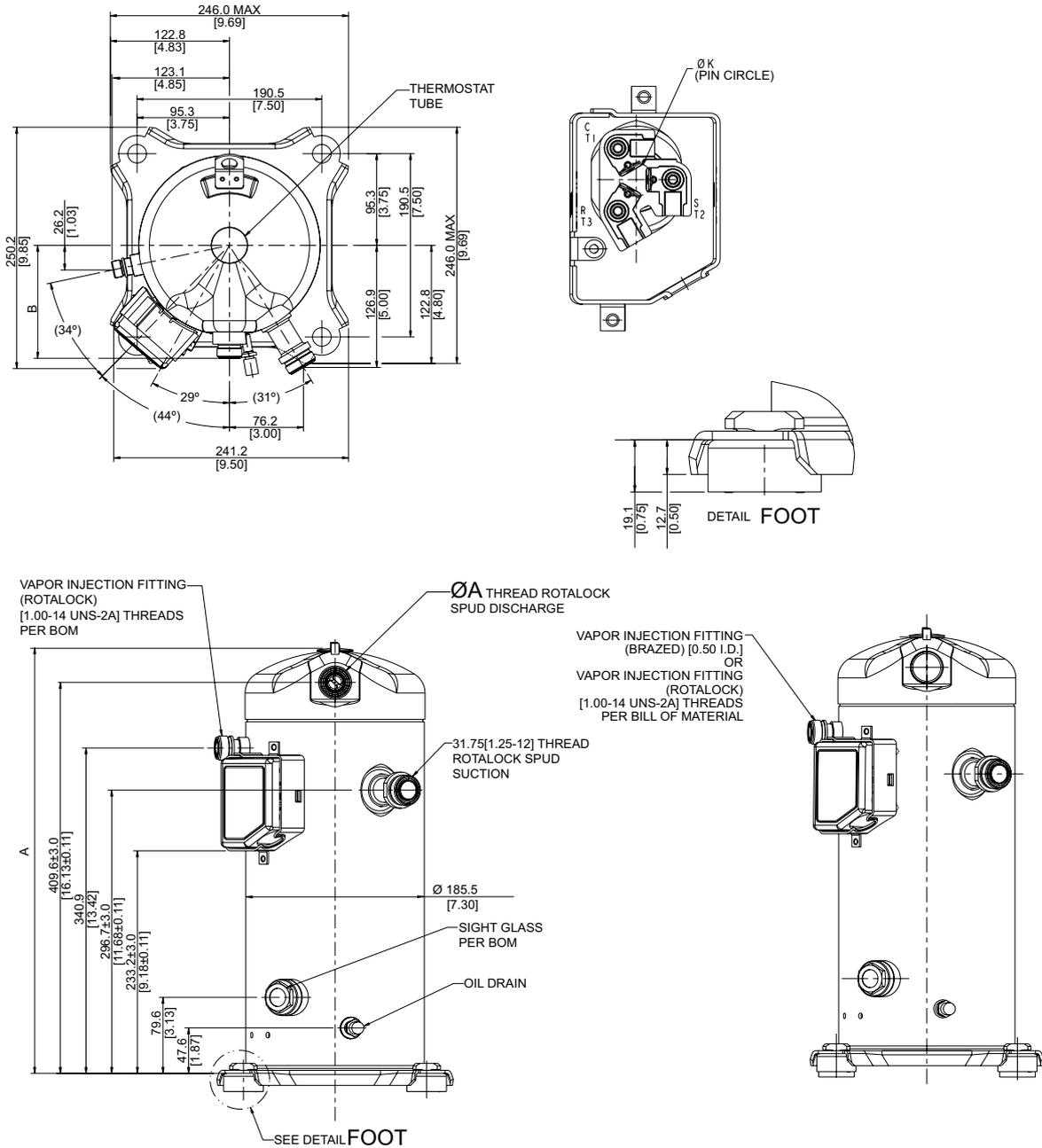
Model number	mm[in]		Discharge fitting
	A±3.0	B±3.0	
ZF13KQE	442.0 [17.40]	409.6 [16.13]	C
ZF15KQE			
ZF18KQE			
ZF25KQE			
ZF28KQE	451.0 [17.76]	418.6 [16.48]	D

Notes:

- (1) All tolerances ± 1.5mm [0.06in] unless otherwise specified
- (2) Due to accumulated assembly tolerances, the listed components may vary from the mounting holes. All fittings: ± 3.0mm [0.12in]
- (3) Tube ends must be plugged
- (4) All units are in mm[inch]

Dimensional drawings

ZFI20KQE - ZFI39KQE (BOM 552) Rotalock connection



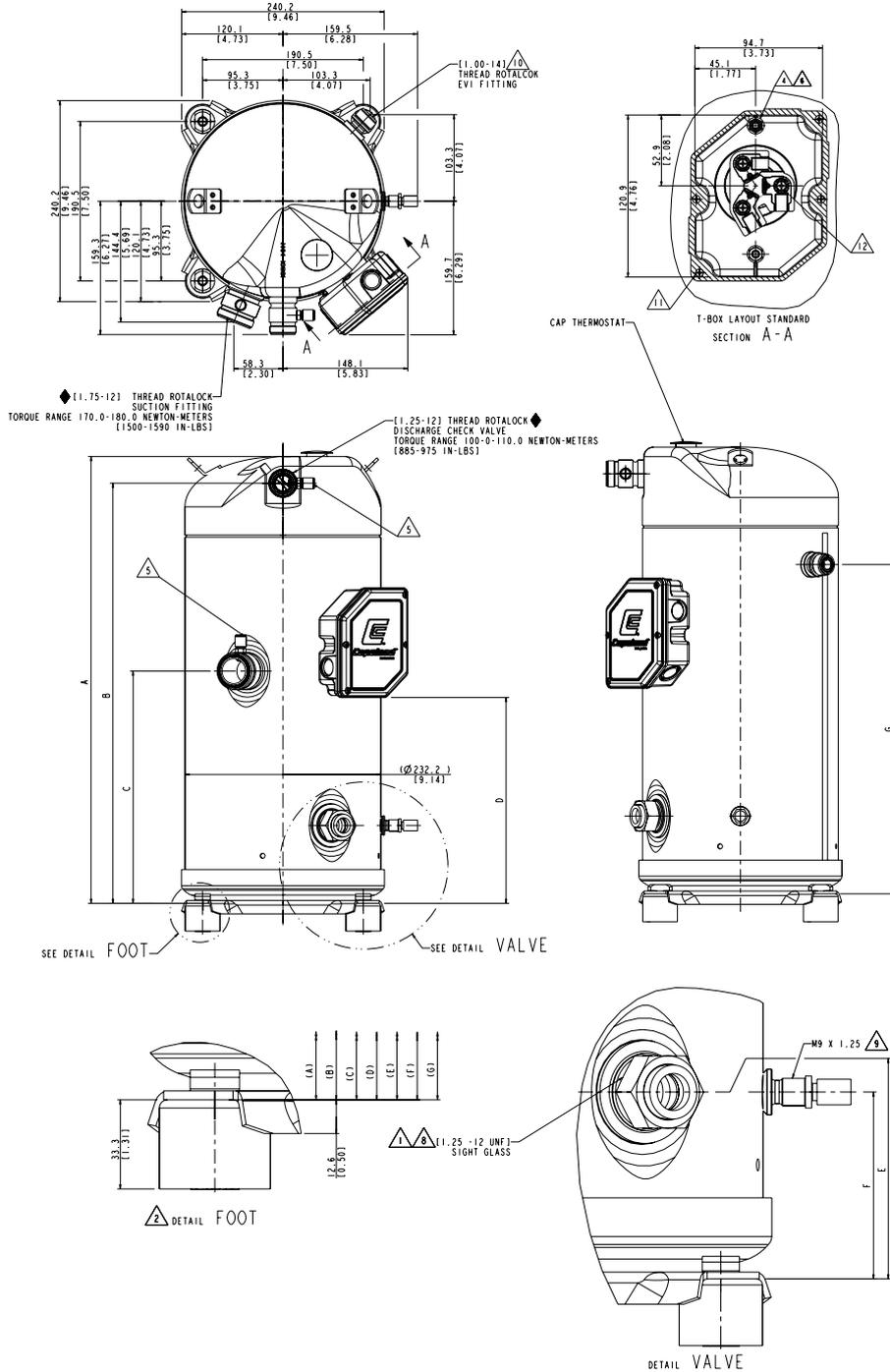
Model number	mm[in]		Discharge fitting
	A±3.0	B	
ZFI20KQE	442.0 [17.40]	409.6 [16.13]	C
ZFI26KQE			D
ZFI36KQE			D
ZFI39KQE	451.0 [17.76]	418.6 [16.48]	D

Notes:

- (1) All tolerances ± 1.5mm [0.06in] unless otherwise specified
- (2) Due to accumulated assembly tolerances, the listed components may vary from the mounting holes. All fittings: ± 3.0mm [0.12in]
- (3) Tube ends must be plugged
- (4) All units are in mm[inch]

Dimensional drawings

ZF34KQE - ZF54KQE (BOM 564/567) Rotolock connection



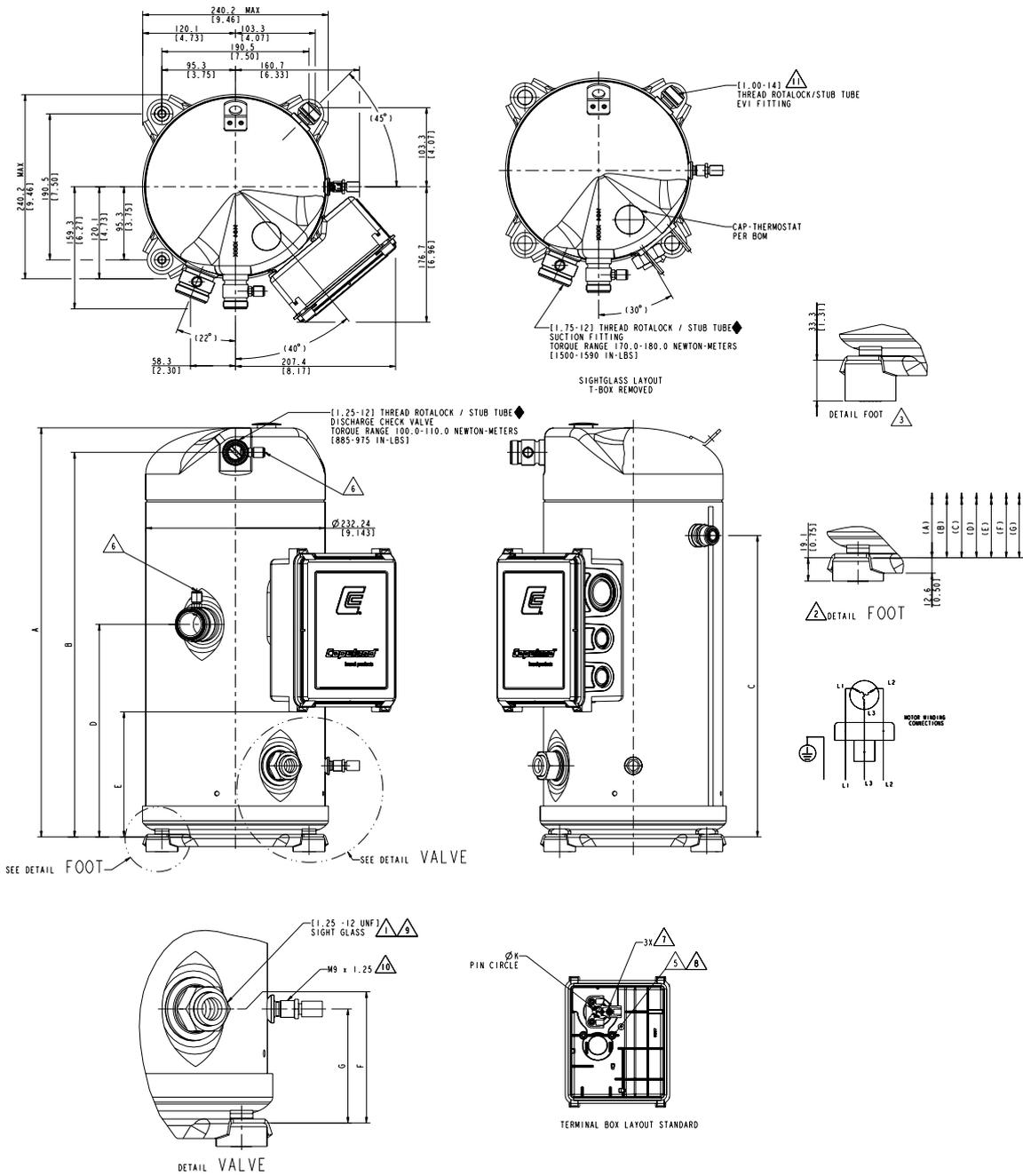
Model number	mm[in]						
	A	B	C	D	E	F	G
ZF34KQE	533.6	501.8	277.3	245.7	93.0	93.0	393.3
ZF41KQE	[21.0]	[19.75]	[10.91]	[9.67]	[3.66]	[3.66]	[15.49]
ZF49KQE	551.5	519.5	295.0	263.6	92.6	92.6	441.0
ZF54KQE	[21.7]	[20.45]	[11.61]	[10.37]	[3.64]	[3.64]	[16.18]

Notes:

- (1) All tolerances ± 1.5mm [0.06in] unless otherwise specified
- (2) Due to accumulated assembly tolerances, the listed components may vary from the mounting holes. All fittings: ± 3.0mm [0.12in]
- (3) Tube ends must be plugged
- (4) All units are in mm[inch]

Dimensional drawings

ZFI50KQE - ZFI81KQE (BOM 564/567) Rotalock connection



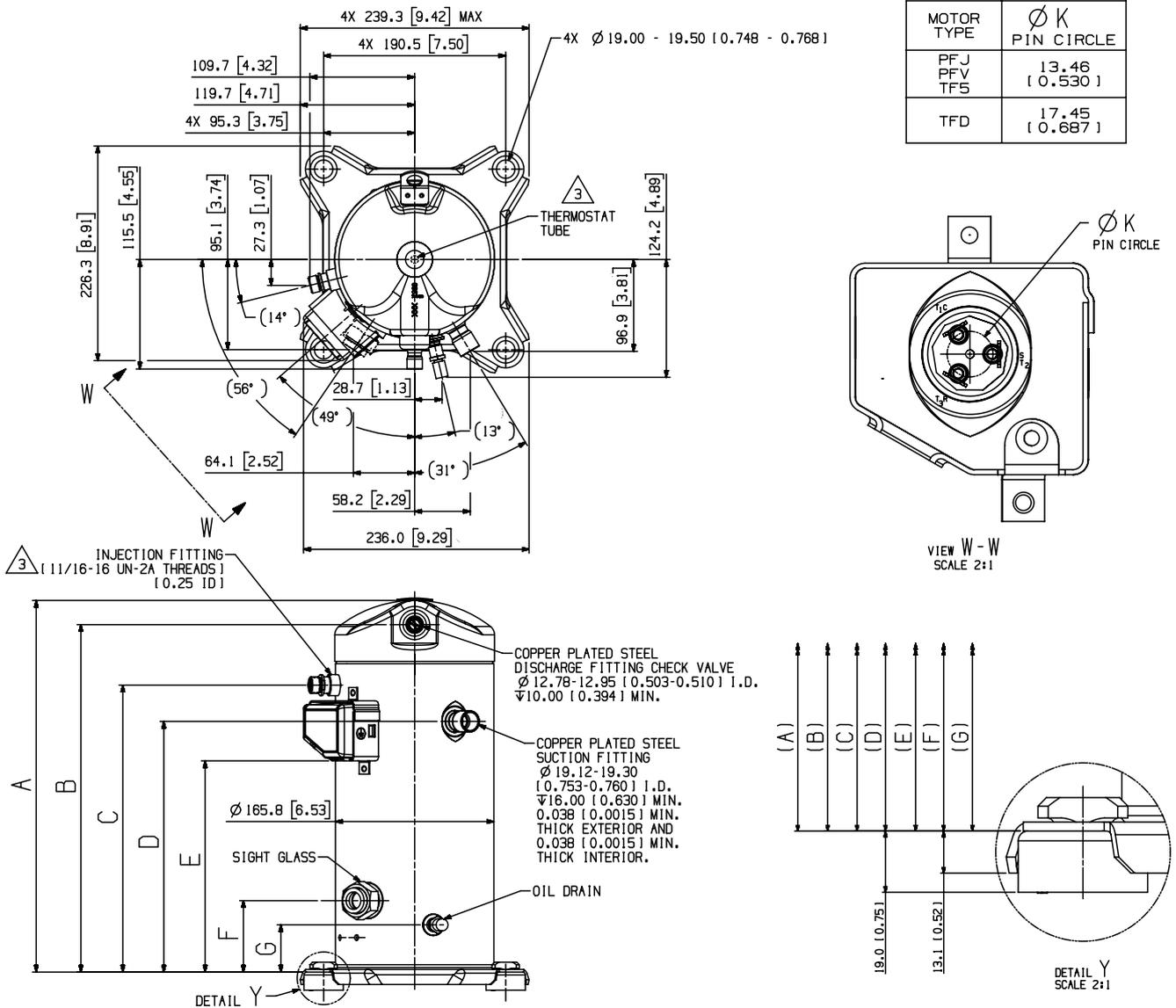
Model number	mm[in]							ØK
	A	B	C	D	E	F	G	
ZFI50KQE	533.6	501.8	393.3	277.3	163.3	93.0	93.0	17.45
ZFI59KQE	[21.01]	[19.76]	[15.48]	[10.92]	[6.43]	[3.66]	[3.66]	[0.687]
ZFI68KQE	551.5	519.5	411.0	295.0	163.3	92.6	92.6	20.70
ZFI81KQE	[21.71]	[20.45]	[16.18]	[11.61]	[6.43]	[3.64]	[3.64]	[0.815]

Notes:

- (1) All tolerances $\pm 1.5\text{mm}$ [0.06in] unless otherwise specified
- (2) Due to accumulated assembly tolerances, the listed components may vary from the mounting holes. All fittings: $\pm 3.0\text{mm}$ [0.12in]
- (3) Tube ends must be plugged
- (4) All units are in mm[inch]

Dimensional drawings

ZF06KQE - ZF11KQE (BOM 550) Stub tube connection

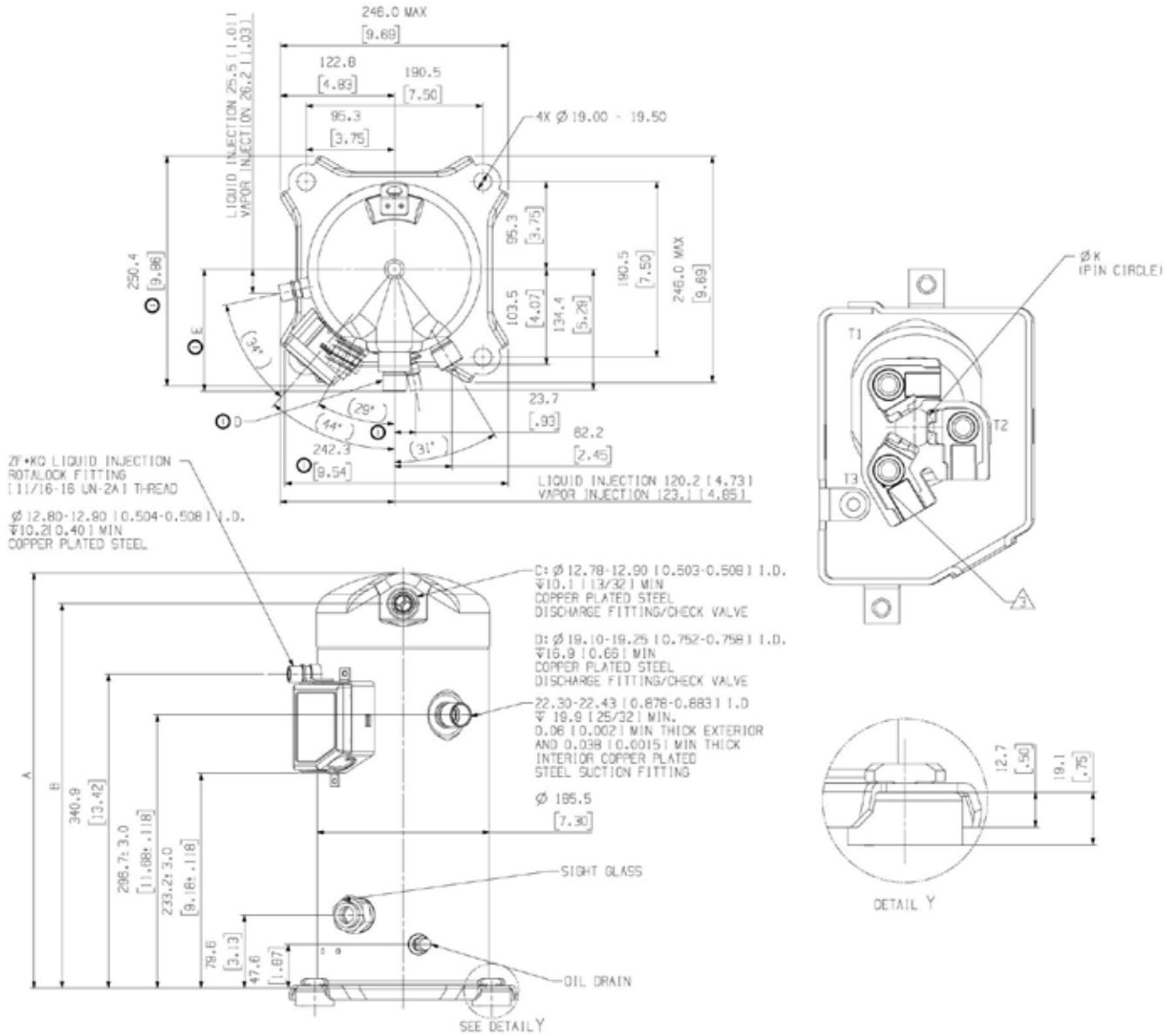


Model number	mm[in]						
	A	B	C	D	E	F	G
ZF06KQE	369.9 [14.56]	343.8 [13.54]	280.0 [11.02]	244.5 [9.62]	202.9 [7.99]	69.6 [2.74]	44.1 [1.74]
ZF08KQE ZF09KQE	392.5 [15.45]	366.4 [14.42]	302.6 [11.91]	264.4 [10.41]	222.8 [8.77]	75.3 [2.96]	49.8 [1.96]
ZF11KQE	406.3 [16.00]	380.1 [14.96]	316.4 [12.46]	277.1 [10.91]	235.5 [9.27]	75.3 [2.96]	49.8 [1.96]

- Notes:**
- (1) All tolerances ± 1.5mm [0.06in] unless otherwise specified
 - (2) Due to accumulated assembly tolerances, the listed components may vary from the mounting holes. All fittings: ± 3.0mm [0.12in]
 - (3) Tube ends must be plugged
 - (4) All units are in mm[inch]

Dimensional drawings

ZF13KQE – ZF28KQE (BOM 550) Stub tube connection



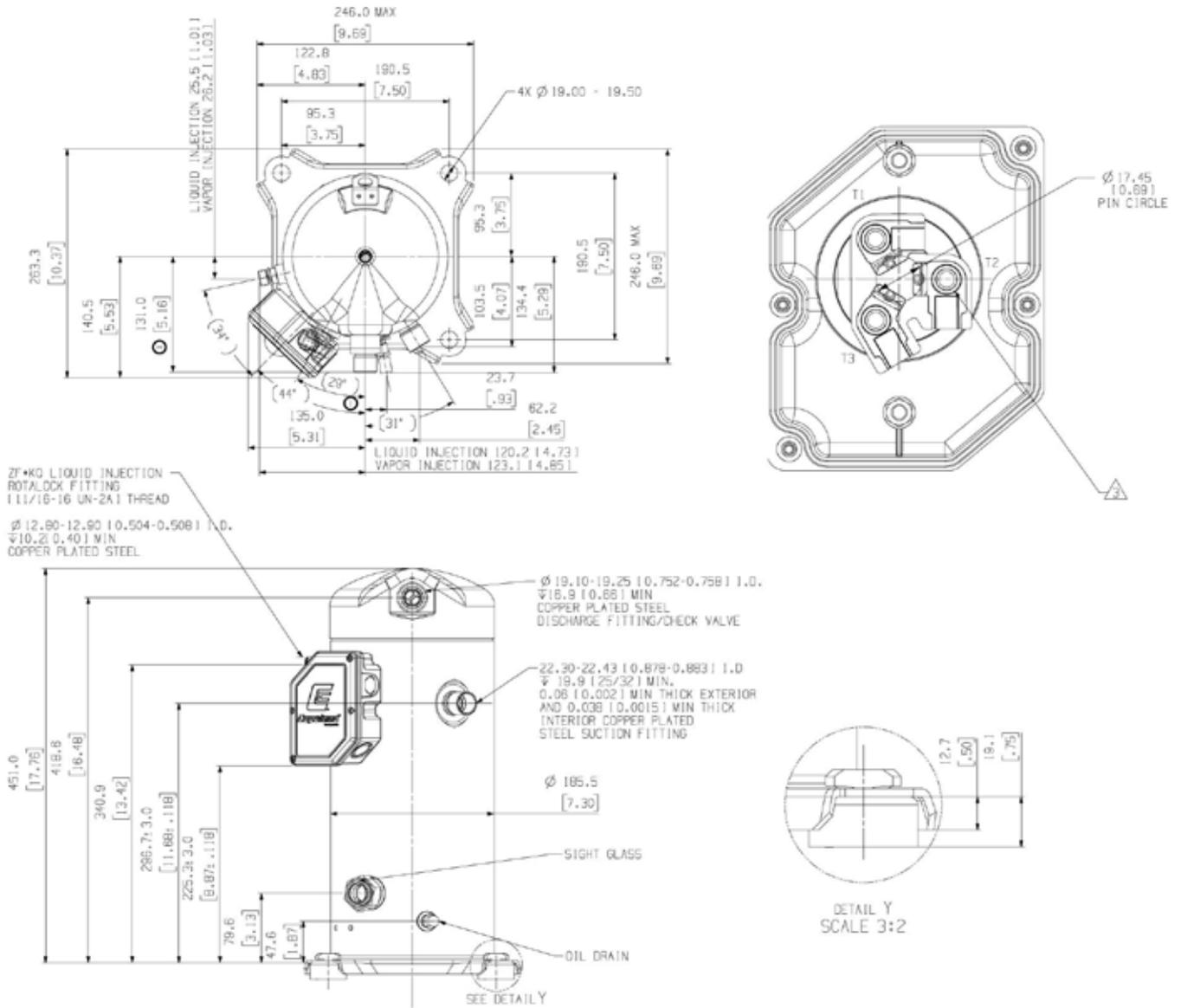
Model number	mm[in]		Discharge fitting
	A±3.0	B±3.0	
ZF13KQE			C
ZF15KQE	442.0 [17.40]	409.6 [16.13]	
ZF18KQE			
ZF25KQE			D
ZF28KQE	451.0 [17.76]	418.6 [16.48]	D

Notes:

- (1) All tolerances \pm 1.5mm [0.06in] unless otherwise specified
- (2) Due to accumulated assembly tolerances, the listed components may vary from the mounting holes. All fittings: \pm 3.0mm [0.12in]
- (3) Tube ends must be plugged
- (4) All units are in mm[inch]

Dimensional drawings

ZF28KQE-TFC and ZFI39KQE-TFC (BOM 580) Stub tube connection

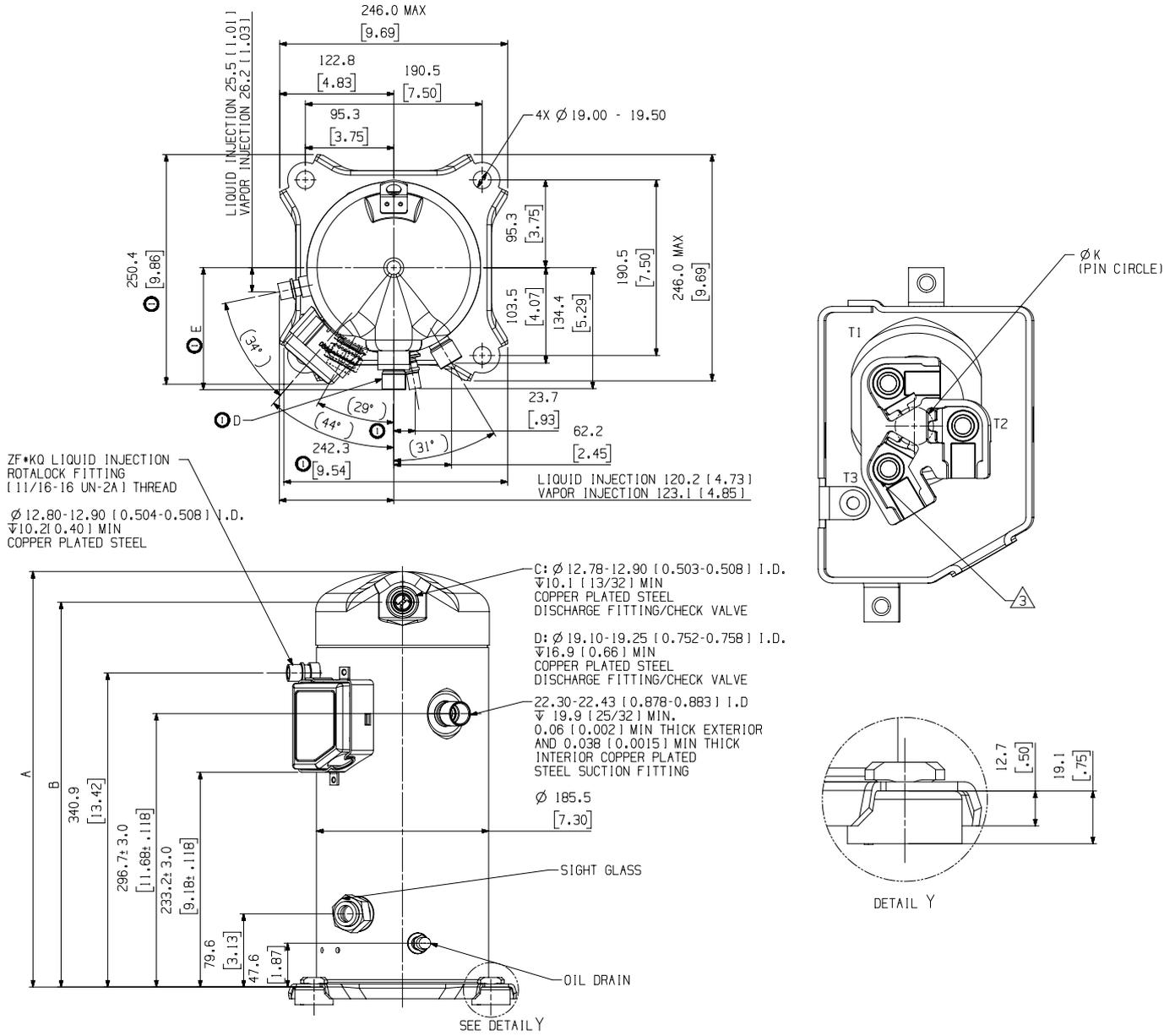


Notes:

- (1) All tolerances \pm 1.5mm [0.06in] unless otherwise specified
- (2) Due to accumulated assembly tolerances, the listed components may vary from the mounting holes. All fittings: \pm 3.0mm [0.12in]
- (3) Tube ends must be plugged
- (4) All units are in mm[inch]

Dimensional drawings

ZFI20KQE – ZFI39KQE (BOM 550) Stub tube connection



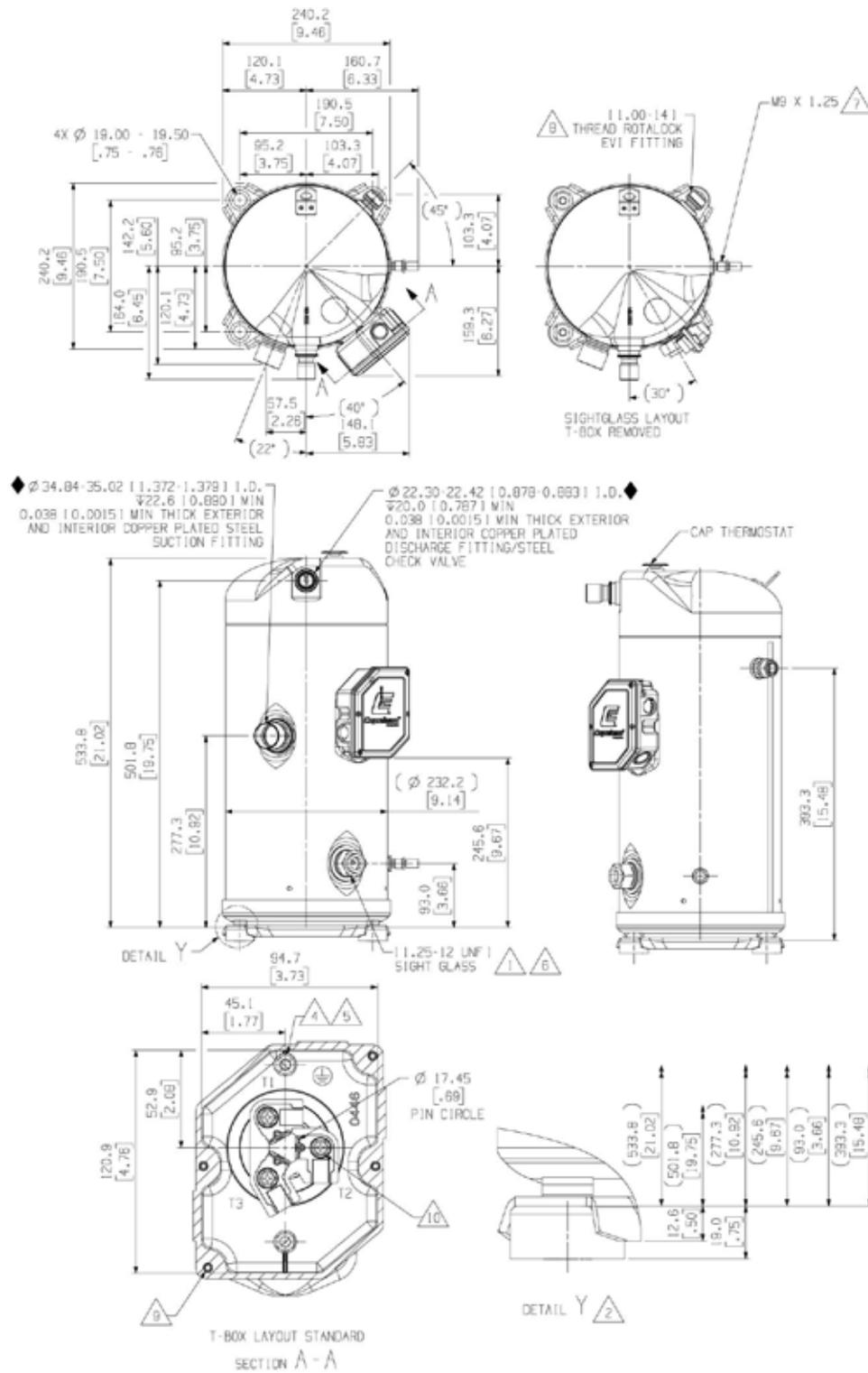
Model number	mm[in]		Discharge fitting
	A±3.0	B	
ZFI20KQE	442.0 [17.40]	409.6 [16.13]	C
ZFI26KQE			D
ZFI36KQE			D
ZFI39KQE	451.0 [17.76]	418.6 [16.48]	D

Notes:

- (1) All tolerances ± 1.5mm [0.06in] unless otherwise specified
- (2) Due to accumulated assembly tolerances, the listed components may vary from the mounting holes. All fittings: ± 3.0mm [0.12in]
- (3) Tube ends must be plugged
- (4) All units are in mm[inch]

Dimensional drawings

ZF34KQE – ZF41KQE (BOM 554) Stub tube connection

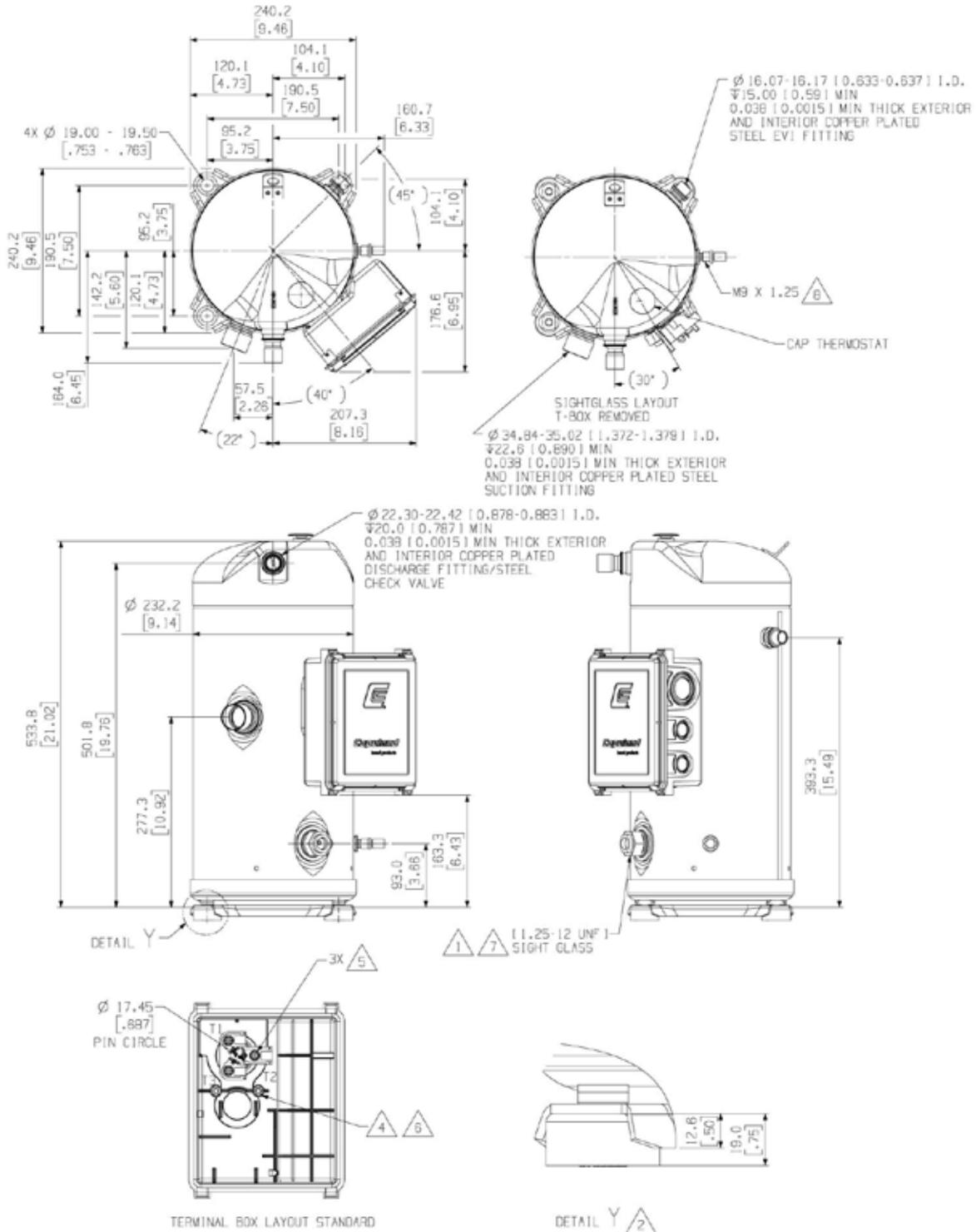


Notes:

- (1) All tolerances ± 1.5 mm [0.06in] unless otherwise specified
- (2) Due to accumulated assembly tolerances, the listed components may vary from the mounting holes. All fittings: ± 3.0 mm [0.12in]
- (3) Tube ends must be plugged
- (4) All units are in mm[inch]

Dimensional drawings

ZFI50KQE – ZFI59KQE (BOM 554) Stub tube connection

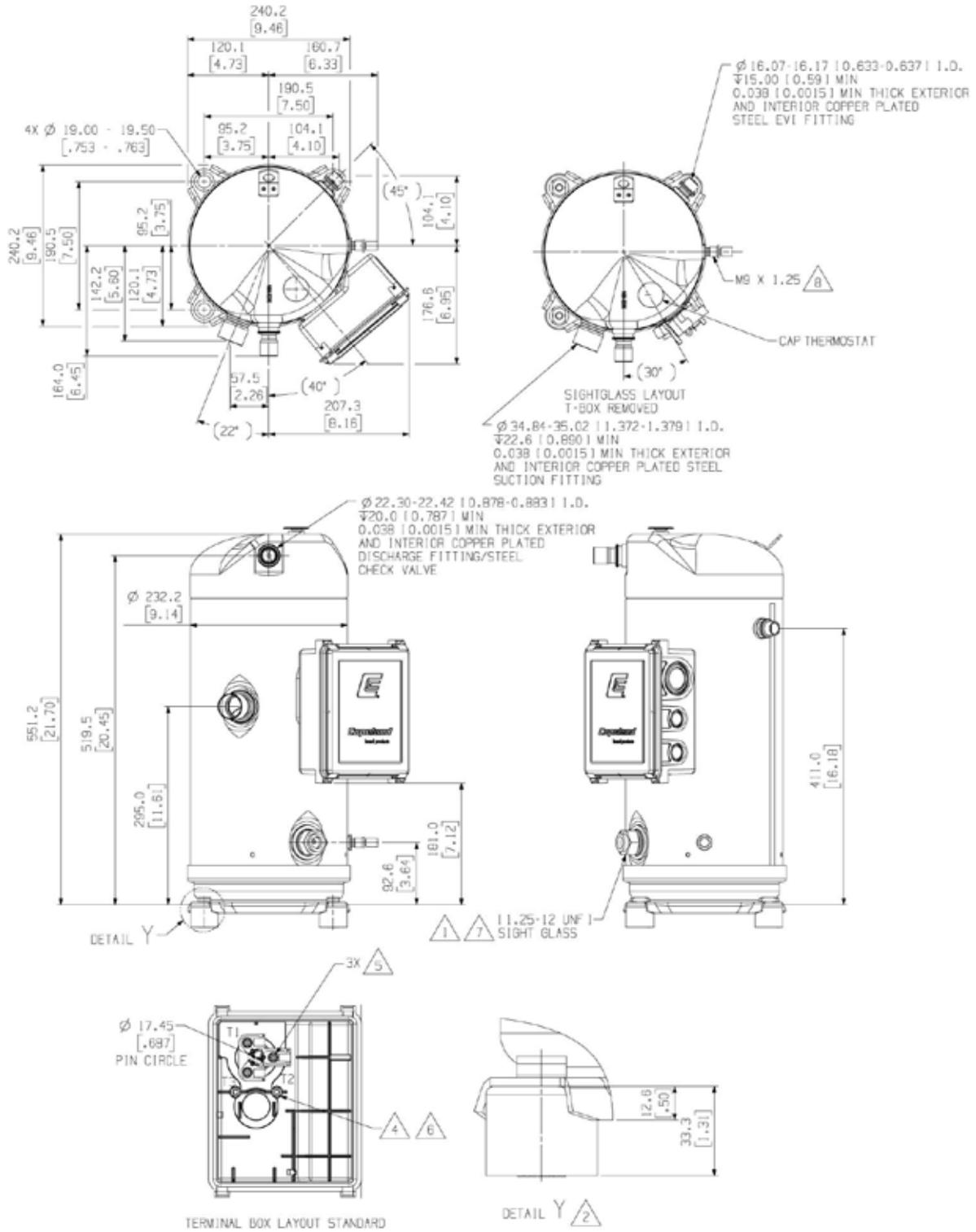


Notes:

- (1) All tolerances $\pm 1.5\text{mm}$ [0.06in] unless otherwise specified
- (2) Due to accumulated assembly tolerances, the listed components may vary from the mounting holes. All fittings: $\pm 3.0\text{mm}$ [0.12in]
- (3) Tube ends must be plugged
- (4) All units are in mm[inch]

Dimensional drawings

ZFI68/81KQE-TFD/TF7 (BOM 554) Stub tube connection



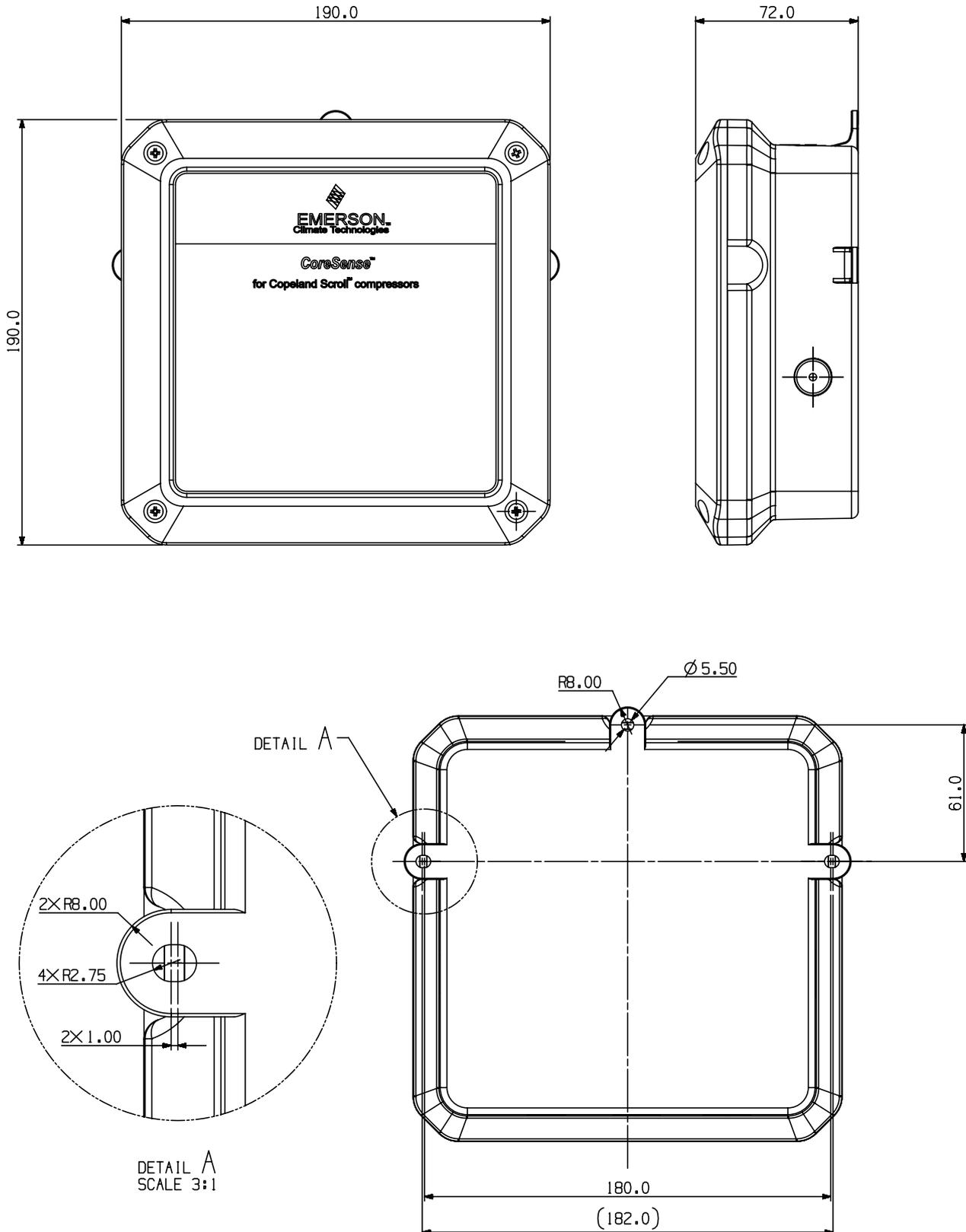
Notes:

- (1) All tolerances $\pm 1.5\text{mm}$ [0.06in] unless otherwise specified
- (2) Due to accumulated assembly tolerances, the listed components may vary from the mounting holes. All fittings: $\pm 3.0\text{mm}$ [0.12in]
- (3) Tube ends must be plugged
- (4) All units are in mm[inch]

Dimensional drawings

CoreSense module

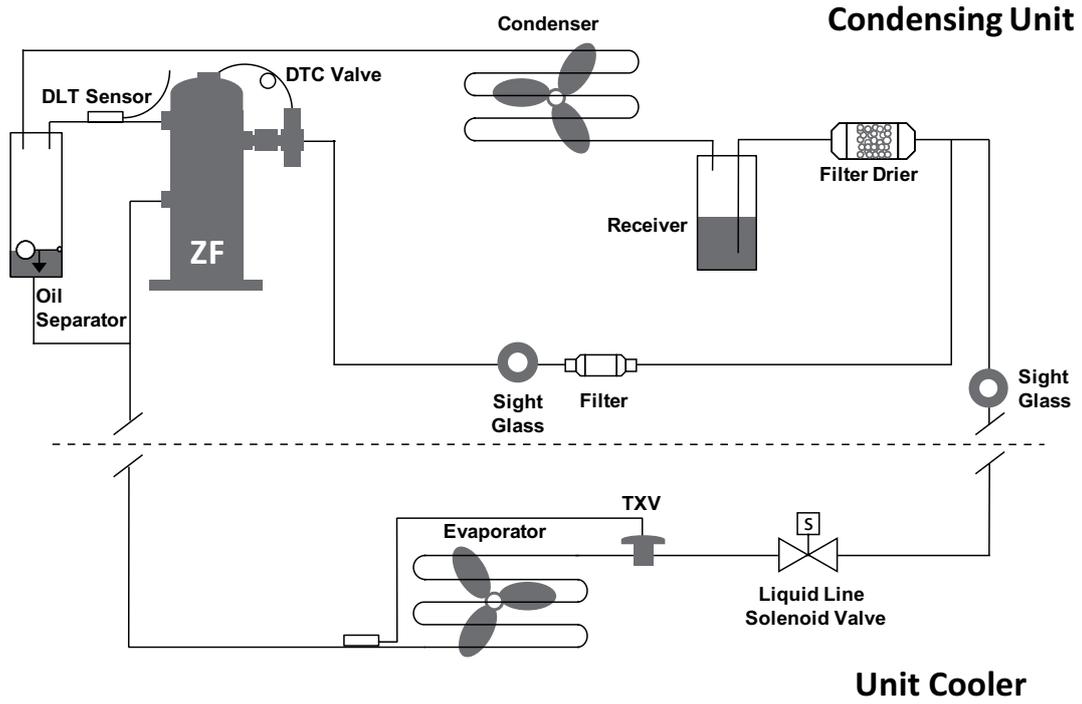
ZFI20 - ZFI122



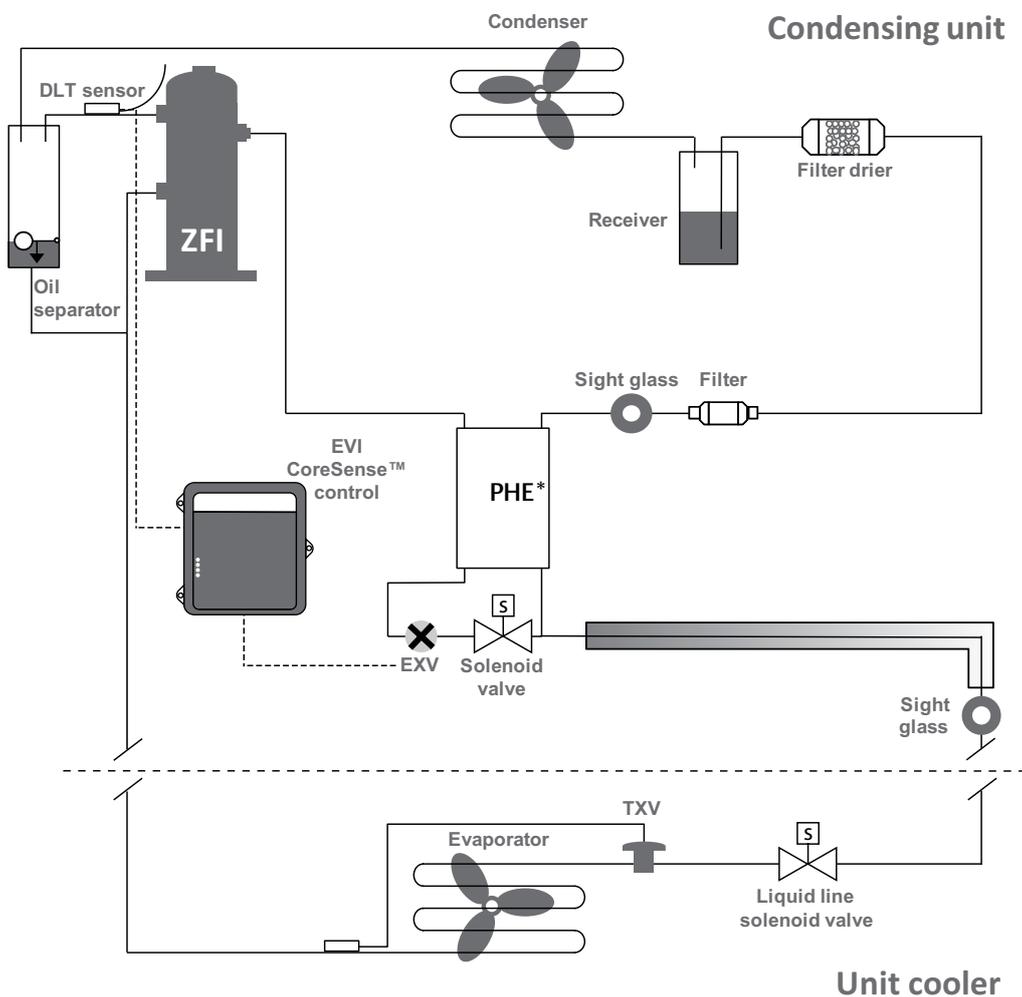
Note: Unit is mm

Schematic diagram

Liquid injection schematic



Vapor injection schematic



*PHE: Plate heat exchanger

Available models – ZF Liquid injection

Model	ZF Liquid injection models			
	Rotalock	Stub tube	Manufacturing plant	Status
TFD 380-420V-3ph-50 Hz ; 460V-3ph-60 Hz	ZF06KQE-TFD-551	ZF06KQE-TFD-550	Thailand	Active
	ZF08KQE-TFD-551	ZF08KQE-TFD-550	Thailand	Active
	ZF09KQE-TFD-551	ZF09KQE-TFD-550	Thailand	Active
	ZF11KQE-TFD-551	ZF11KQE-TFD-550	Thailand	Active
	ZF13KQE-TFD-551	ZF13KQE-TFD-550	Thailand	Active
	ZF15KQE-TFD-551	ZF15KQE-TFD-550	Thailand	Active
	ZF18KQE-TFD-551	ZF18KQE-TFD-550	Thailand	Active
	ZF25KQE-TFD-551	ZF25KQE-TFD-550	Thailand	Active
	ZF28KQE-TFD-551	ZF28KQE-TFD-550	Thailand	Active
	ZF34KQE-TFD-564	ZF34KQE-TFD-554	Thailand	Active
	ZF41KQE-TFD-564	ZF41KQE-TFD-554	Thailand	Active
	ZF49KQE-TFD-564	ZF49KQE-TFD-554	Thailand	Active
	ZF54KQE-TFD-564	ZF54KQE-TFD-554	Thailand	Active
TF5 200-220V-3ph-50 Hz ; 200-230V-3ph-60 Hz TFC 200V-3ph-50 Hz ; 208-230V-3ph-60 Hz	ZF06KQE-TF5-551	ZF06KQE-TF5-550	Thailand	Active
	ZF08KQE-TF5-551	ZF08KQE-TF5-550	Thailand	Active
	ZF09KQE-TF5-551	ZF09KQE-TF5-550	Thailand	Active
	ZF11KQE-TF5-551	ZF11KQE-TF5-550	Thailand	Active
	ZF13KQE-TFC-551	ZF13KQE-TFC-550	Thailand	Active
	ZF13KQE-TFC-551	ZF13KQE-TFC-550	Thailand	Active
	ZF15KQE-TFC-551	ZF15KQE-TFC-550	Thailand	Active
	ZF18KQE-TFC-551	ZF18KQE-TFC-550	Thailand	Active
	ZF25KQE-TFC-551	ZF25KQE-TFC-550	Thailand	Active
	ZF28KQE-TFC-591	ZF28KQE-TFC-580	Thailand	Active
	ZF34KQE-TFC-564 / 567	ZF34KQE-TFC-554	Thailand	Active
	ZF41KQE-TFC-564 / 567	ZF41KQE-TFC-554	Thailand	Active
	ZF49KQE-TFC-564 / 567	ZF49KQE-TFC-554	Thailand	Active
ZF54KQE-TFC-564 / 567	ZF54KQE-TFC-554	Thailand	Active	
TF7 380V-3ph-60 Hz	ZF13KQE-TF7-551	ZF13KQE-TF7-550	Thailand	Active
	ZF15KQE-TF7-551	ZF15KQE-TF7-550	Thailand	Active
	ZF18KQE-TF7-551	ZF18KQE-TF7-550	Thailand	Active
	ZF25KQE-TF7-551	ZF25KQE-TF7-550	Thailand	Active
	ZF28KQE-TF7-551	ZF28KQE-TF7-550	Thailand	Active
	ZF34KQE-TF7-564 / 567	ZF34KQE-TF7-554	Thailand	Active
	ZF41KQE-TF7-564 / 567	ZF41KQE-TF7-554	Thailand	Active
	ZF49KQE-TF7-564 / 567	ZF49KQE-TF7-554	Thailand	Active
	ZF54KQE-TF7-564 / 567	ZF54KQE-TF7-554	Thailand	Active
PFV 200V-1ph-50 Hz ; 208-230V-1ph-60 Hz	ZF06KQE-PFV-551	ZF06KQE-PFV-550	Thailand	Active in 2020
	ZF08KQE-PFV-551	ZF08KQE-PFV-550	Thailand	Active in 2020
	ZF09KQE-PFV-551	ZF09KQE-PFV-550	Thailand	Active in 2020
	ZF11KQE-PFV-551	ZF11KQE-PFV-550	Thailand	Active in 2020
	ZF13KQE-PFV-551	ZF13KQE-PFV-550	Thailand	Active In 2020
	ZF15KQE-PFV-551	ZF15KQE-PFV-550	Thailand	Active In 2020

Notes: Please select the right BOMs when ZF150-81 models are used in Rack application (BOM554/564 for OMB and 567 for OM3)

Available models – ZFI Vapor injection

Model	ZFI Vapor injection models			
	Rotalock	Stub tube	Manufacturing plant	Status
TFD/TEd 380-420V-3ph-50 Hz ; 460V-3ph-60 Hz	ZFI20KQE-TFD-552	ZFI20KQE-TFD-550	Thailand	Active
	ZFI23KQE-TFD-552	ZFI23KQE-TFD-550	Thailand	Active
	ZFI26KQE-TFD-552	ZFI26KQE-TFD-550	Thailand	Active
	ZFI36KQE-TFD-552	ZFI36KQE-TFD-550	Thailand	Active
	ZFI39KQE-TFD-552	ZFI39KQE-TFD-550	Thailand	Active
	ZFI50KQE-TFD-564 / 567	ZFI50KQE-TFD-554	Thailand	Active
	ZFI59KQE-TFD-564 / 567	ZFI59KQE-TFD-554	Thailand	Active
	ZFI68KQE-TFD-564 / 567	ZFI68KQE-TFD-554	Thailand	Active
	ZFI81KQE-TFD-564 / 567	ZFI81KQE-TFD-554	Thailand	Active
	ZFI122KQE-TED-523	ZFI122KQE-TED-522	Suzhou, China	Active
TFC/TEC 200V-3ph-50 Hz ; 208-230V-3ph-60 Hz	ZFI20KQE-TFC-552	ZFI20KQE-TFC-550	Thailand	Active
	ZFI23KQE-TFC-552	ZFI23KQE-TFC-550	Thailand	Active
	ZFI26KQE-TFC-552	ZFI26KQE-TFC-550	Thailand	Active
	ZFI36KQE-TFC-552	ZFI36KQE-TFC-550	Thailand	Active
	ZFI39KQE-TFC-592	ZFI39KQE-TFC-580	Thailand	Active
	ZFI50KQE-TFC-564 / 567	ZFI50KQE-TFC-554	Thailand	Active
	ZFI59KQE-TFC-564 / 567	ZFI59KQE-TFC-554	Thailand	Active
	ZFI68KQE-TFC-564 / 567	ZFI68KQE-TFC-554	Thailand	Active
	ZFI81KQE-TFC-564 / 567	ZFI81KQE-TFC-554	Thailand	Active
	ZFI122KQE-TEC-523	ZFI122KQE-TEC-522	Suzhou, China	Active
TF7/TE7 380V-3ph-60 Hz	ZFI20KQE-TF7-552	ZFI20KQE-TF7-550	Thailand	Active
	ZFI23KQE-TF7-552	ZFI23KQE-TF7-550	Thailand	Active in 2020
	ZFI26KQE-TF7-552	ZFI26KQE-TF7-550	Thailand	Active
	ZFI36KQE-TF7-552	ZFI36KQE-TF7-550	Thailand	Active
	ZFI39KQE-TF7-552	ZFI39KQE-TF7-550	Thailand	Active
	ZFI50KQE-TF7-564 / 567	ZFI50KQE-TF7-554	Thailand	Active
	ZFI59KQE-TF7-564 / 567	ZFI59KQE-TF7-554	Thailand	Active
	ZFI68KQE-TF7-564 / 567	ZFI68KQE-TF7-554	Thailand	Active
	ZFI81KQE-TF7-564 / 567	ZFI81KQE-TF7-554	Thailand	Active
	ZFI122KQE-TE7-523	ZFI122KQE-TE7-522	Suzhou, China	Active

Notes: Please select the right BOMs when ZFI50-81 models are used in Rack application (BOM554/564 for OMB and 567 for OM3)

General information

Technical data are correct at the time of printing. Updates may occur, and should you need confirmation of a specific value, please contact Emerson stating clearly the information required.

Emerson cannot be held responsible for errors in capacities, dimensions, etc., stated herein. Products, specifications and data in this literature are subject to change without notice.

The information given herein is based on data and tests which Emerson believes to be reliable and which are in accordance with today's technical knowledge. It is intended for use by persons having the appropriate technical knowledge and skill, at their own discretion and risk. Our products are designed and adapted for fixed locations. For mobile applications, failures may occur.

The suitability for this has to be assured from the plant manufacturer, which may include making appropriate tests.

Note:

The components listed in this catalogue are not released for use with caustic, poisonous or flammable substances. Emerson cannot be held responsible for any damage caused by using these substances.

Contact lists

Asia Pacific Headquarters

Suite No. 2503-10A, 25/F,
Exchange Tower, 33 Wang Chiu Road,
Kowloon Bay, Kowloon, Hong Kong
Tel: (852) 2866 3108
Fax: (852) 2520 6227

Australia

356 Chisholm Road
Auburn NSW 2144, Australia
Tel: (612) 9795 2800
Fax: (612) 9738 1699

China - Beijing

Room 1203-1205,
North Wing Junefield Plaza Central Tower,
No. 10 Xuan Wu Men Wai Street,
XiCheng District, Beijing, PRC
Tel: (8610) 5095 2188

China - Guangzhou

Guangzhou Office
Unit 2202B, 22/F, Leatop Plaza,
32 Zhujiang East Road, Tianhe Dist.,
Guangzhou 510623, PRC
Tel: (8620) 8595 5188

China - Shanghai

Shanghai Sales Office
7F, Emerson Building, 1582 Gumei
Rd, Shanghai, PRC
Tel: (8621) 3338 7333

India - Mumbai

Delphi B-Wing, 601-602, 6th Floor
Central Avenue,
Hiranandani Business Park,
Powai, Mumbai 400076, India
Tel: (9122) 6786 0793
Fax: (9122) 6662 0500

India - Pune

Plot No. 23, Rajiv Gandhi Infotech Park,
Phase - II, Hinjewadi,
Pune 411 057, Maharashtra, India
Tel: (9120) 4200 2000
Fax: (9120) 4200 2099

Indonesia

BSD Taman Tekno 8
Jl. Tekno Widya Blok H10 No 2 & 3
Tangerang Selatan 15314
Indonesia
Tel: (6221) 2966 6242
Fax: (6221) 2966 6245

Japan

Shin-yokohama Tosho Building
No. 3-9-5 Shin-Yokohama, Kohoku-ku
Yokohama 222-0033 Japan
Tel: (8145) 475 6371
Fax: (8145) 475 3565

Malaysia

Level M2, Blk A, Menara PKNS-PJ
Jalan Yong Shook Lin
46050 Petaling Jaya, Selangor, Malaysia
Tel: (603) 7949 9222
Fax: (603) 7949 9333

Middle East & Africa

PO Box 26382
Jebel Ali Free Zone - South
Dubai, UAE
Tel: (9714) 811 8100
Fax: (9714) 886 5465

Philippines

10/F SM Cyber West Avenue, EDSA cor. West
Avenue, Barangay Bungad,
Diliman, Quezon City 1105 Philippines
Tel: (632) 8689 7200

Saudi Arabia

PO Box 34332 - 3620 Building 7874
Unit 1, 67th street 2nd Industrial City
Dammam, Saudi Arabia
Toll Free: 800 844 3426
Tel: +966 3 8147560
Fax: +966 3 8147570

South Korea

3F, The Pinnacle Gangnam
343, Hakdong-ro, Gangnam-gu,
Seoul 06060, Republic of Korea
Tel: (822) 3483 1500
Fax: (822) 592 7883

Taiwan

3F No. 122 Lane 235,
Pao Chiau Rd., XinDianv Dist.,
New Taipei City 23145, Taiwan (R.O.C.)
Tel: (8862) 8912 1360
Fax: (8862) 8912 1890

Thailand

34th Floor, Interlink Tower,
1858/133, Bangna Trad,
Bangkok 10260, Thailand
Tel: (662) 716 4700
Fax: (662) 751 4241

United Arab Emirates

Jebel Ali Free Zone
PO Box 26382
Dubai UAE
Toll Free: 800 441 3428
Tel: +971 4 811 8100
Fax: +971 4 886 5465

Vietnam

Level 6, Melinh Point Tower,
2 Ngo Due Ke,
District 1, Ho Chi Minh City
Vietnam
Tel: (84) 908 009 189

Scan to visit:



Emerson Asia

Climate.Emerson.com/Asia

Asia 00 05 Issued 12/2019 Emerson is a trademark of Emerson Electric Co. or one of its affiliated companies.
©2019 Emerson Electric Co. All rights reserved.



@EmersonComResAP

EMERSON. CONSIDER IT SOLVED.™