

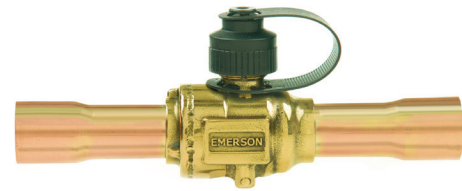
BV Series Refrigeration Ball Valves

Shut Off Valves

The BVE/BVS series welded refrigeration ball valves isolate suction, discharge, and liquid line pipework during maintenance shutdown periods.

Features

- Forged brass body
- Compact, lightweight, hermetic welded design
- Compatible with HCFC and HFC refrigerants/lubricants including R-410A and CO₂
- Full flow design*
- Bi-directional flow characteristics
- Valve stem cap retained by strap attached to main body
- Integrated access port available on all sizes
- Low operating friction design



Specifications

- Body: Forged Brass
- Extended tubes: 100% Copper Connections
- Maximum working pressure: 650 psig
- Fluid temperature range: -40°F to 250°F (302°F short term)
- UL/CUL file number: SA 5312

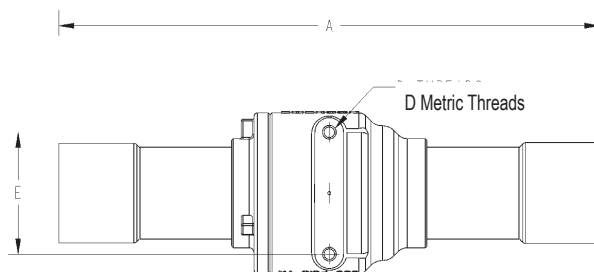
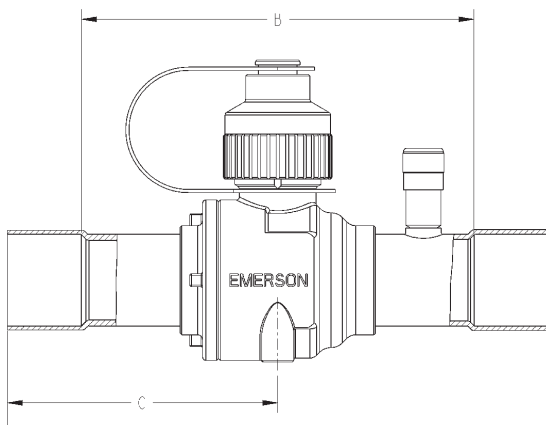
Nomenclature example: BVE 1 1/8

BV	E	1/8
Ball Valve	Access Valve E = without S = with	Connection Size (in 1/8")

Replacement Parts: Locking Seal Caps

BVE/BVS Valve Size (in.)	PCN	Quantity (per pack)
1/4 - 7/8	806770	10 pcs.
1 1/8 - 1 3/8	806771	10 pcs.
1 5/8 - 2 5/8	806772	10 pcs.

Dimensional Data



Selection & Ordering Information

Models Without Access Valve		Models With Access Valve		Connection Size (in.)	Dimensions					Port Size	Weight (lbs.)
Model	PCN	Model	PCN		A	B	C	D	E		
BVE 014	806730	BVS 014	806750	1/4 ODF	4.72	4.02	2.36	M3	0.59	Full Port	0.79
BVE 038	806732	BVS 038	806752	3/8 ODF	4.72	4.02	2.36		0.59	Full Port	0.79
BVE 012	806734	BVS 012	806754	1/2 ODF	5.00	4.21	2.50	M4	0.87	Full Port	0.79
BVE 058	806736	BVS 058	806756	5/8 ODF	5.00	3.98	2.50		0.87	Full Port	0.84
BVE 034	806737	BVS 034	806757	3/4 ODF	6.18	4.92	3.09		1.22	Full Port	1.45
BVE 078	806738	BVS 078	806758	7/8 ODF	6.18	4.65	3.09		1.22	Full Port	1.45
BVE 118	806739	BVS 118	806759	1 1/8 ODF	6.65	4.84	3.33		1.50	Full Port	2.29
BVE 138	806741	BVS 138	806761	1 3/8 ODF	9.09	7.17	4.55	M6	1.89	Full Port	3.61
BVE 158	806742	BVS 158	806762	1 5/8 ODF	10.91	8.66	5.45		2.17	Full Port	5.35
BVE 218*	806744	BVS 218*	806764	2 1/8 ODF	11.69	8.98	5.85		2.91	2" Port	10.48
BVE 258*	806745	BVS 258*	806765	2 5/8 ODF	11.69	8.74	5.85		2.91	2" Port	12.20
BVE 318*	806746	BVS 318*	806766	3 1/8 ODF	11.69	8.39	5.85		2.91	2" Port	12.60

* 2" port