

The ADKS is a replaceable core filter drier for use with CFC, HCFC, and HFC refrigerants in very large commercial air conditioning and refrigerant systems.

Features

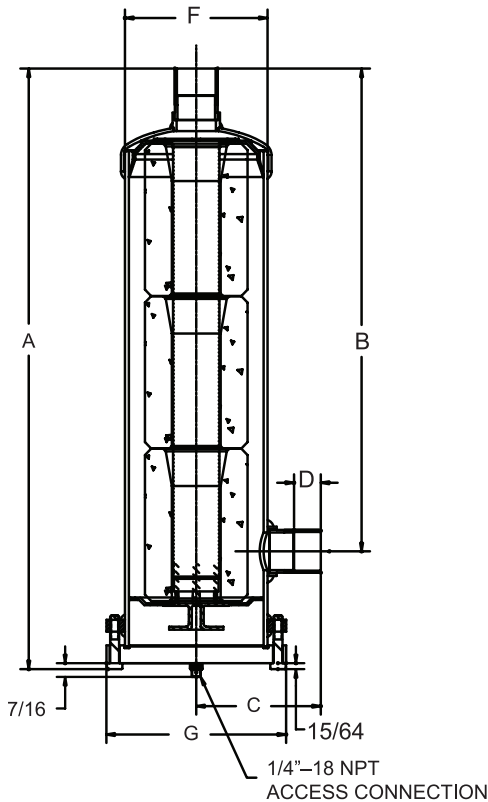
- Full flow fittings for low pressure drop
- Corrosion resistant epoxy powder paint finish
- Sturdy steel shells for long life durability



Nomenclature example: ADKS 30013T

ADKS	300	13	T
System Protector Series	Unit Size (in cu. in.)	Connection Size (in 1/8")	T = Tap Access Connection

Dimensional Data



Specifications

- Filtration (with core): 40 microns
- Maximum working pressure: 500 psig*
- UL/CUL file number: SA 3124
- Bolt Torque: 35 ft-lbs

*Note: Not suitable for R-410A applications above 500 psig.

Ordering Information

PCN	Description	Connection Size	Number Of 100 in ³ Cores	Dimensions (in)					Weight (lbs)	
				A	B	C	D	F*		G
026570	ADKS-30013T	1 5/8 ODF	3	25.27	20.32	5.24	1.13	6.00	7.56	39.00
037978	ADKS-30017T	2 1/8 ODF		25.41	20.45	5.43	1.66			
032105	ADKS-40017T	2 1/8 ODF	4	31.91	26.95	5.43	1.66			46.00
037570	ADKS-40021T	2 5/8 ODF		32.81	27.86	6.19	1.47			

* Does not include weld bead

¹ "H" Dimension is the clearance required to change the internal hardware assembly

T = 1/4" FPT access connection

ADKS Models are shipped without filter cores or filter drier cores. See filter or filter drier cores for availability. Uses 100 cubic inch cores.